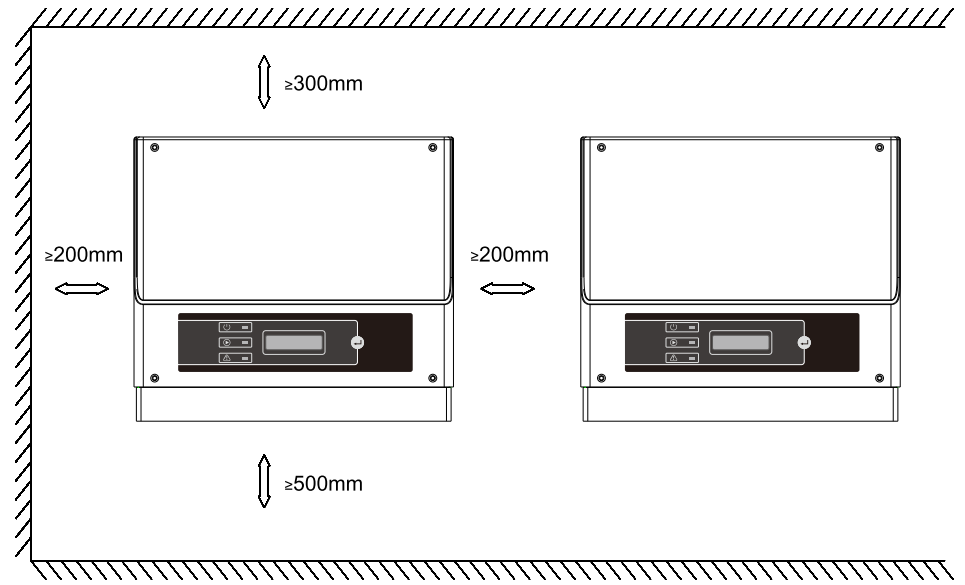


Instructions For Fast Installation Single-phase Series



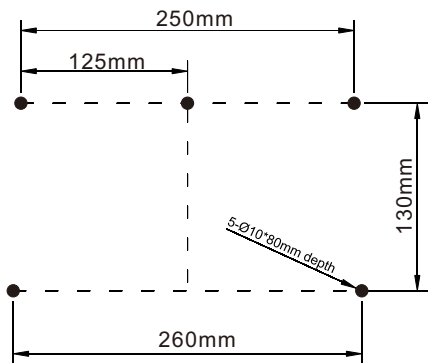
Warning: All fasteners must be locked tight. Otherwise water may flow in, resulting in machine failure. In such case warranty shall not be provided.

A



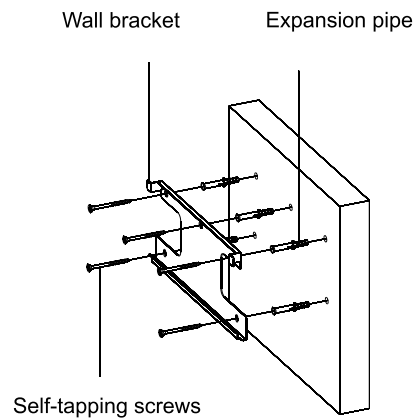
Installation space

B



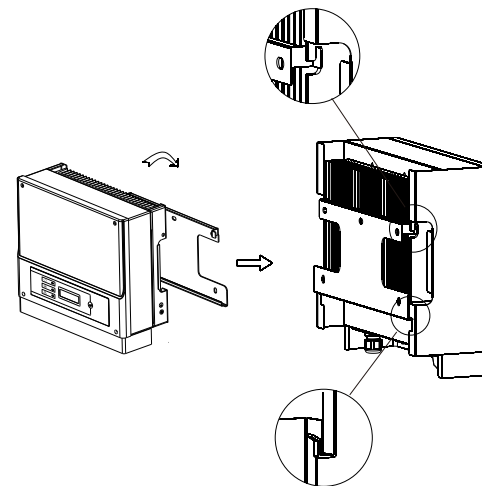
Dimensions for drilling holes

C



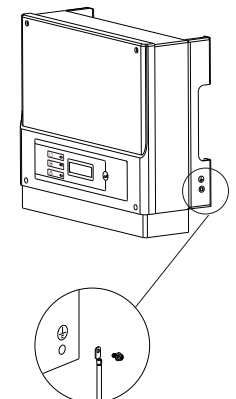
Fix the wall bracket

D



Mounting place and installation

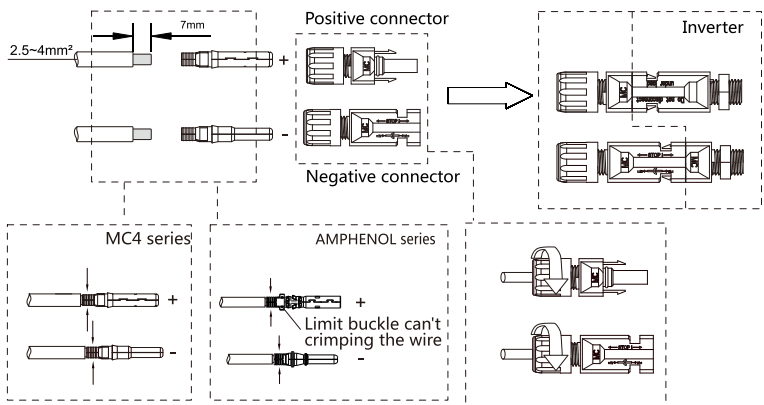
E



strip appropriate length of ground insulation slices.
Insert the stripped wire into the terminal and compress it tightly, lock earth wire to inverter.
The last step, coat it with silicone for corrosion protection.

AC wire assembly and connection

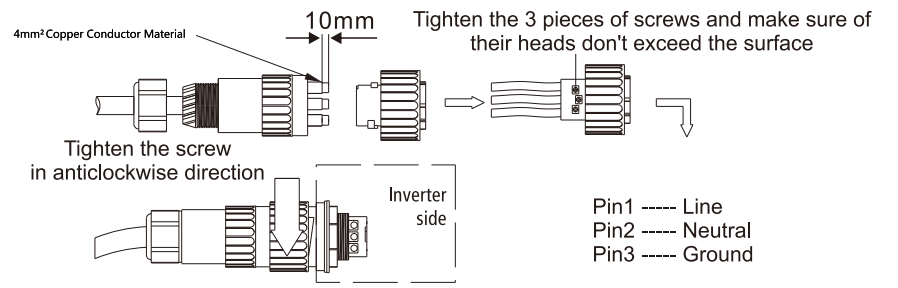
F



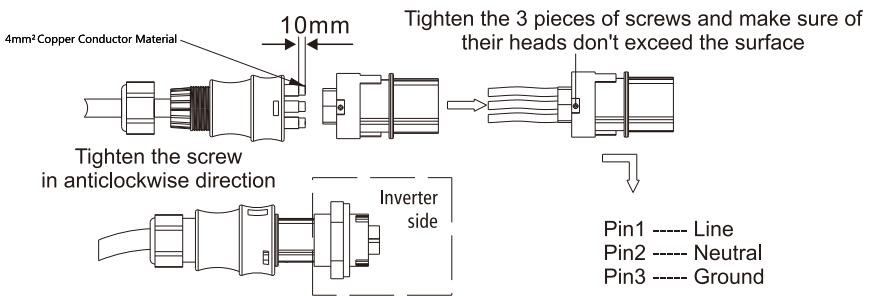
Special tools are used to stitching DC Cable should be use dedicated PV cable(Suggest using 4mm² PV1-F wire)

DC Side Connection

G

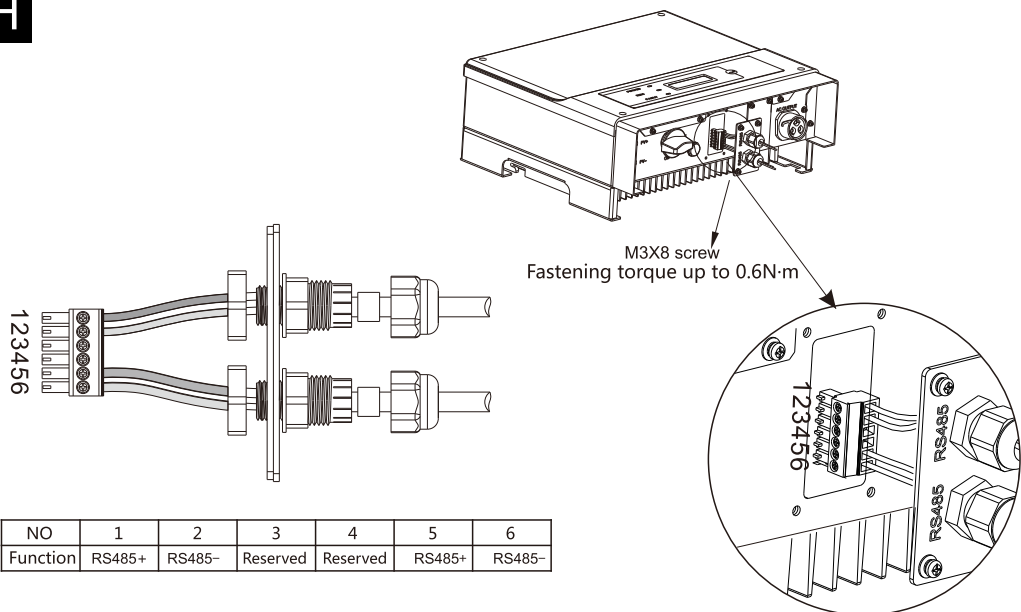


or



AC wire assembly and connection

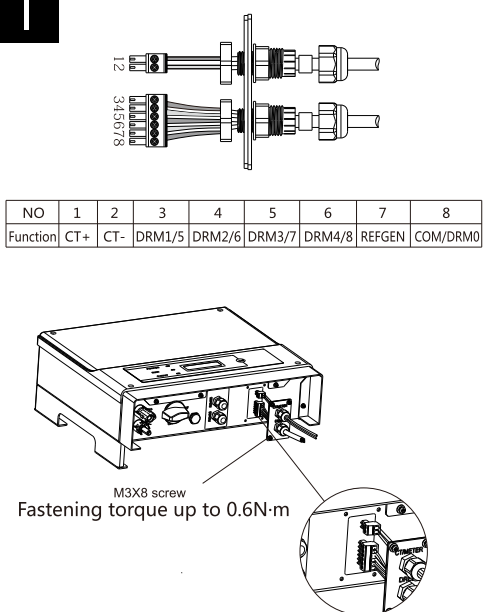
H



RS485 communication assembly

This procedure can only apply on RS485 model

I



DRED and CT cable assembly

DRED connection is only available for Australia and New Zealand

J

Configure Country Setting

- Step1: Turn on DC Power of Inverter
- Step2: If LCD Shows 'Configure Safety' in TOP Area,Otherwise, SKIP All Steps
- Step3: Long Press Key until Display Shows '50Hz Grid Default'
- Step4: Press Key to Switch Different Country Setting. Such as
- Step5: NO More operation and the Country Setting Will Be Confirmed.

K

Set Time

- From the first level Set Language menu, short press the key to enter the Set Time menu.
- Long press (2S) the key to enter the second level menu. The initial display is '2000-00-00 00:00', in which the first four numbers represent the year (e.g. 2000~2099); the fifth and sixth numbers represent the month (e.g. 01~12); the seventh and the eighth numbers represent the date (e.g. 01~31). The remaining numbers represent the time.
- Short press to increase the number in current location, and long press to move the cursor to next position. The inverter will store the time after 20 seconds without any key operation, and the LCD will automatically return to the main menu and the backlight will switch off.