



INGECON SUN STORAGE 1Play TL M

Installation and Operation Manual

Manual de instalación y uso

Manuel d'installation et usage

Manuale d'installazione e uso

Manual de instalação e uso

EN

ES

FR

IT

PT

The copy, distribution or use of this document or of its content requires written authorisation. Any breach thereof will be reported for damages. All rights reserved including those of patent rights or design registration.

The conformity of the document content with the hardware described has been checked. However, discrepancies may exist. Liability will not be assumed for total concordance. The information contained in this document is regularly reviewed and it is possible that there may be changes in subsequent editions. Other functions may be available which are not covered by this document.

This document may be changed.

La copia, circulación o uso de este documento o de su contenido requiere un permiso por escrito. Su incumplimiento será denunciado por daños y perjuicios. Todos los derechos están reservados, incluyendo aquellos que resulten de derechos de patentes o registro del diseño.

La correspondencia del contenido del documento con el hardware ha sido comprobada. Sin embargo, pueden existir discrepancias. No se asume ninguna responsabilidad por la concordancia total. La información que contiene este documento es revisada regularmente y es posible que se produzcan cambios en siguientes ediciones.

El presente documento es susceptible de ser modificado.

La copie, distribution ou utilisation de ce document ou de son contenu requiert une autorisation écrite. Toute personne ne respectant pas cette condition sera passible de poursuites. Tous les droits sont réservés, y compris ceux qui découlent des droits de brevets ou d'enregistrement des conceptions.

La correspondance entre le contenu du document et le matériel a été vérifiée. Il peut toutefois exister des divergences. Aucune responsabilité de concordance totale n'est assumée. Les informations contenues dans ce document sont régulièrement révisées et il est possible que des changements surviennent dans les éditions à venir.

Le présent document est susceptible d'être modifié.

Per copiare, condividere o utilizzare il presente documento o il suo contenuto è necessaria un'autorizzazione scritta. Il mancato rispetto di quest'obbligo sarà perseguito. Tutti i diritti sono riservati, compresi quelli risultanti da diritti di brevetti o dalla registrazione del progetto.

La corrispondenza del contenuto del presente documento con l'hardware è stata verificata, tuttavia, possono sussistere discrepanze. Si declina ogni responsabilità relativamente alla concordanza totale. Le informazioni contenute in questo documento sono regolarmente sottoposte a revisione ed è possibile che siano inserite delle modifiche nelle prossime edizioni.

Questo documento può essere soggetto a modifiche.

A cópia, circulação ou utilização deste documento ou do respectivo conteúdo requer uma autorização por escrito. O seu incumprimento será denunciado por danos e prejuízos. Todos os direitos estão reservados, incluindo aqueles que resultem de direitos de patentes ou do registo do design.

A conformidade do conteúdo do documento com o hardware foi verificada. No entanto, podem existir discrepâncias. Não se assume qualquer responsabilidade pela concordância total. As informações contidas neste documento são revistas regularmente e é possível que se verifiquem alterações nas próximas edições.

O presente documento é susceptível de ser alterado.

Installation and Operation Manual

Manual de instalación y uso

Manuel d'installation et usage

Manuel d'installation et usage

Manual de instalação e uso

EN

ES

FR

IT

PT

Important Safety Instructions

This section describes the safety warnings and the Personal Protective Equipment used in the unit.

Safety conditions

General warnings



DANGER

Opening the enclosure does not imply there is no voltage inside.
 The risk of electric shock exists even after disconnecting from the grid, the PV array and the storage system.
 Only qualified personnel may open it, following the instructions in this manual.



CAUTION

The operations described in the manual may be performed only by qualified personnel.
 The status of qualified personnel referred to in this manual will be, as a minimum, that which meets all the standards, regulations and laws regarding safety applicable to the tasks of installing and operating this unit.
 The responsibility for designating qualified personnel will always fall to the company to which the personnel belong. It is necessary to decide which workers are suitable or not for carrying out specific work to preserve their safety at the same time as complying with occupational safety legislation.
 These companies are responsible for providing appropriate training in electrical equipment to their personnel and for familiarizing them with the contents of this manual.

All applicable safety-related legislation for electrical work must be complied with. Danger of electric shock.
 Compliance with the safety instructions set out in this manual or in the suggested legislation does not imply exemption from other specific standards for the installation, place, country or other circumstances that affect the inverter.

You must consider the set of conditions listed throughout this document as minimum requirements. It is always preferable to shut off the main power supply. There may be faults in the installation that cause the unwanted return of voltage. Danger of electric shock.

According to basic safety standards, the complete unit must be suitable to protect exposed workers against the risk of direct and indirect contact. In any case the electrical parts of the work equipment must comply with the provisions of the corresponding specific regulations.

According to basic safety standards, the electrical installation shall not entail a fire or explosion risk. Workers must be duly protected against the risk of accidents caused by direct or indirect contact. The electrical installation and protection devices must take into account the voltage, the external conditions and the competence of persons who have access to parts of the installation.

Category III - 1000-Volt measuring instruments must be used for checking for the absence of voltage.

The space for the installation of the storage system must be properly ventilated.
 The storage system must be installed in such a way that any accidental short-circuits are avoidable.



INFO

These instructions must be easily accessible close to the unit and located within reach of all users.
 Before installation and start-up, please read these safety instructions and warnings carefully as well as all the warning notices located on the unit. Ensure that all the warnings signs are perfectly legible and that those which are damaged or have disappeared are restored.

Protection against direct contact is by means of the enclosure.

The unit has been tested according to the applicable regulations to comply with the safety requirements, the values for insulation clearances and leakage paths for the voltages used.

Potential hazards for people** DANGER**

Electric shock.

The equipment may remain charged after disconnecting the PV array, the grid power and the storage system.
Carefully follow the mandatory steps in the manual for removing the voltage.

Explosion.

There is a very low risk of explosion in very specific cases of malfunction.
The casing will protect people and property from the explosion only if it is correctly closed.

Crushing and joint injuries.

Always follow the indications in the manual on moving and placing the unit.
The weight of this unit can cause serious injury and even death if not handled correctly.

High temperature.

The flow of outlet air can reach high temperatures which can cause injury to anybody exposed to it.

Potential hazards for the equipment** DANGER**

Cooling.

The unit requires particle-free air flow while it is operating.
Keeping the unit in the upright position and the inlets free of obstacles is essential for this air flow to reach the inside.

Do not touch boards or electronic components. The more sensitive components can be damaged or destroyed by static electricity.

Do not disconnect or connect any terminal while the unit is operating. Disconnect and check for absence of voltage first.

With the aim of avoiding premature wear of the screwed joints on the unit's housing, removal and installation of the screws must be done manually.

Personal Protective Equipment (PPE)

When working on the unit, use the following safety equipment recommended by Ingeteam as a minimum.

Name	Description
Safety footwear	In compliance with standard <i>UNE-EN-ISO 20345:2012</i>
Helmet	In compliance with standard <i>EN 397:2012 + A1:2012</i>
Helmet with face shield	In compliance with Standard <i>UNE-EN 166:2002</i> , wherever there are directly accessible live parts.
Safety goggles	In compliance with standard <i>UNE-EN 166:2002</i>
Working clothes	Close-fitting, non-flammable, 100% cotton
Dielectric gloves	In compliance with standard <i>EN 60903:2005</i>

Tools and / or equipment used in live work must have at least Category III-1000 Volts insulation.

Should the country's regulations demand another kind of personal protection, you should appropriately supplement the equipment recommended by Ingeteam.

Contents

- Important Safety Instructions..... 4
 - Safety conditions..... 4
 - Personal Protective Equipment (PPE)..... 6
- Contents 7
- 1. About this manual..... 10
 - 1.1. Scope and nomenclature 10
 - 1.2. Recipients..... 10
 - 1.3. Warnings..... 10
- 2. Unit description 11
 - 2.1. Electrical diagram of the system..... 11
 - 2.2. EMC requirements 12
 - 2.3. Acoustic contamination 12
 - 2.4. Specification table 13
 - 2.5. Description of cable inlets 14
- 3. Receipt of the unit and storage..... 15
 - 3.1. Reception 15
 - 3.2. Unit identification..... 15
 - 3.3. Transport damage 15
 - 3.4. Storage 15
 - 3.5. Conservation..... 15
- 4. Equipment transport 16
 - 4.1. Transport..... 16
 - 4.2. Unpacking 16
- 5. Preparation for installing the unit 17
 - 5.1. Environment..... 17
 - 5.2. Environmental conditions 18
 - 5.3. Supporting Surface and Fastening 18
 - 5.4. Critical load connection protection 18
 - 5.5. Protection of the connection to the auxiliary grid/genset 19
 - 5.6. Storage system connection protection 19
 - 5.7. Type of grid 19
 - 5.8. Battery cabling length 20
 - 5.9. Auxiliary grid/genset cabling length..... 20
 - 5.10. Photovoltaic panels 20
- 6. Installing the unit 21
 - 6.1. General requirements for installation 21
 - 6.2. Attaching the unit to the wall..... 21
 - 6.3. Opening the housing 22
- 7. Connection/disconnection of wiring in push-in type terminals 23
- 8. Connection of the storage system..... 25
 - 8.1. Safety instructions for connecting the storage system 25
 - 8.2. Wiring requirements for connecting the storage system 25
 - 8.3. Storage system connection process..... 26
- 9. Connection of the optional PT-100 temperature sensor kit for lead-acid batteries 27
 - 9.1. Safety instructions for connecting the optional PT-100 temperature sensor kit for lead-acid batteries... 27
 - 9.2. Wiring requirements for connecting the optional PT-100 temperature sensor kit for lead-acid batteries 27
 - 9.3. Connection process for the optional PT-100 temperature sensor kit for lead-acid batteries 27
- 10. Connection of critical loads..... 30
 - 10.1. Safety instructions for connecting critical loads 30
 - 10.2. Wiring requirements for connecting critical loads 30
 - 10.3. Critical load connection process 31
- 11. Auxiliary grid/genset connection 32
 - 11.1. Safety instructions for connecting the auxiliary grid/genset 32

EN
ES
FR
IT
PT

- 11.2. Wiring requirements for connecting the auxiliary grid/genset 32
- 11.3. Auxiliary grid/genset connection process 33
- 12. Connecting the PV array..... 35
 - 12.1. Safety instructions for connecting the PV array 35
 - 12.2. Wiring requirements for connecting the PV array 35
 - 12.3. PV array connection process..... 35
- 13. Connection of the RS-485 communication for external wattmeter 37
 - 13.1. Safety instructions for connecting the RS-485 communication for the external wattmeter 37
 - 13.2. Wiring requirements for connecting the RS-485 communication for the external wattmeter..... 37
 - 13.3. Connection process of the RS-485 communication for external wattmeter 38
- 14. Connection of the CAN communication for Li-Ion batteries..... 39
 - 14.1. Safety instructions for connecting the CAN communication for Li-Ion batteries 39
 - 14.2. Wiring requirements for connecting the CAN communication for Li-Ion batteries..... 39
 - 14.3. Connection process of the CAN communication for Li-Ion batteries..... 40
- 15. Connecting the digital outputs..... 41
 - 15.1. Safety instructions for connecting the digital outputs 41
 - 15.2. Wiring requirements for connecting the digital outputs 41
 - 15.3. Connection process of the digital outputs 41
- 16. Connecting the digital inputs 43
 - 16.1. Safety instructions for connecting the digital input..... 43
 - 16.2. Wiring requirements for connecting the digital input 43
 - 16.3. Digital input connection process..... 43
- 17. Ethernet TCP connection 45
 - 17.1. Safety instructions for the Ethernet TCP..... 45
 - 17.2. Ethernet TCP connection process 45
- 18. Commissioning 46
 - 18.1. Unit inspection..... 46
 - 18.1.1. Inspection..... 46
 - 18.1.2. Hermetic sealing of the unit 46
 - 18.2. Power-up..... 46
 - 18.2.1. Configuring the unit for the first time 47
- 19. Using the unit 48
 - 19.1. Control panel..... 48
 - 19.2. Inverter management through the web application 48
 - 19.3. Connecting to the inverter locally through its Wi-Fi network..... 49
 - 19.4. Connecting the inverter to a Wi-Fi network 49
 - 19.5. Connecting to the inverter remotely 49
 - 19.6. Inverter monitoring 50
 - 19.6.1. Monitoring by Modbus-TCP..... 50
 - 19.7. Inverter configuration 50
 - 19.7.1. Configuring the battery type..... 50
 - 19.7.2. Configuring the inverter to work only with the PV array, without batteries..... 52
 - 19.7.3. Configuring the operation mode and its settings..... 52
 - 19.7.4. Configuring the regulations in grid connection installations 53
 - 19.7.5. Configuring the TT/TN grounding system 53
 - 19.7.6. Configuring the battery charge from the distribution grid..... 54
 - 19.7.7. Configuring the maximum photovoltaic excess distribution grid injection power..... 55
 - 19.7.8. Configuring the Battery-Backup function in self consumption installations 55
 - 19.7.9. Configuring the auxiliary generator in stand-alone installations 55
 - 19.7.10. Configuring the battery charge from the generator 56
 - 19.7.11. Configuring the overvoltage and short circuit protection in the critical load output..... 56
 - 19.7.12. Configuring the digital outputs 57
 - 19.7.13. Configuring the digital inputs..... 57
 - 19.7.14. Configuring a schedule for battery discharge..... 57
 - 19.7.15. Configuring modes to provide quality services to the grid 58
 - 19.8. Use of the inverter's internal wattmeter or the external wattmeter 58
 - 19.9. Updating the inverter firmware 58
 - 19.10. Restoring the inverter to factory settings 60

- 19.11. Inverter power limitation reasons 60
- 19.12. Automatic battery emergency charge..... 61
- 19.13. Performing an equalization charge of the batteries 61
- 19.14. Performing a ventilation test 62
- 19.15. Li-Ion battery calibration 62
- 19.16. Use of INGECON SUN 1Play in stand-alone systems..... 62
- 19.17. Viewing the photovoltaic curve 62
- 19.18. Carrying out an Autotest for CEI 0-21 63
- 19.19. Detection of ground insulation fault and alarm..... 63
- 20. Troubleshooting 64
- 21. Shutting down the unit..... 65
 - 21.1. Process of shutting down the unit..... 65
 - 21.2. Disconnecting the wiring in push-in type terminals..... 65
- 22. Preventive maintenance..... 66
 - 22.1. Safety conditions 66
 - 22.2. Condition of the housing..... 66
 - 22.3. Condition of cables and terminals..... 66
 - 22.4. Cooling system 66
 - 22.5. Environment..... 66
- 23. Waste handling 67

1. About this manual

The purpose of this manual is to describe the INGECON SUN STORAGE 1Play TL M units and to provide appropriate information for their correct reception, installation, start-up, maintenance and operation.

1.1. Scope and nomenclature

This manual is applicable to the following units:

Complete name	Abbreviation
INGECON SUN STORAGE 1Play 3TL M	1Play 3TL M
INGECON SUN STORAGE 1Play 4.5TL M	1Play 4.5TL M
INGECON SUN STORAGE 1Play 6TL M	1Play 6TL M

This document will refer to the various models by both their complete name and their abbreviation. Similarly, it will refer generically to any of the models in the INGECON SUN STORAGE 1Play TL M families with the terms *unit* or *inverter*.

1.2. Recipients

This document is intended for qualified personnel.

The status of qualified personnel referred to in this manual will be, as a minimum, that which meets all the standards, regulations and laws regarding safety applicable to the tasks of installing and operating this unit.

Ingeteam recommends this unit to be installed by a professional installer.

1.3. Warnings

Throughout this manual we include warnings to highlight certain information. Relative to the nature of the text, there are three types of warnings:



This indicates a hazard to personnel or the inverter.



Indicates importance.



Additional information or references to other parts of the document or documents.

2. Unit description

The INGECON SUN STORAGE1Play TL M hybrid inverter allows the combination of photovoltaic generation with energy storage without additional photovoltaic inverters.

This inverter has a double monitoring system for the maximum power point (*MPPT*), allowing the maximum power to be extracted from the PV array, even in installations on roofs with different directions or partial shade.

Thanks to the *Energy Management System (EMS)* included, the installation can be monitored at all times via PC or cell phone with the free INGECON SUN Monitor application.

In addition, it is capable of working in off-grid mode or connected to the grid in the following types of installation.

Stand-alone installations

System disconnected from the distribution grid that provides AC power to a set of consumers.

This type of installation allows an auxiliary generator to be installed, which can be started up through a voltage-free output to charge the batteries.

UPS installations

System connected to the distribution grid that is used as back-up in the event of a power cut. In this case the installation works as an Off-line type UPS.

Self consumption installations

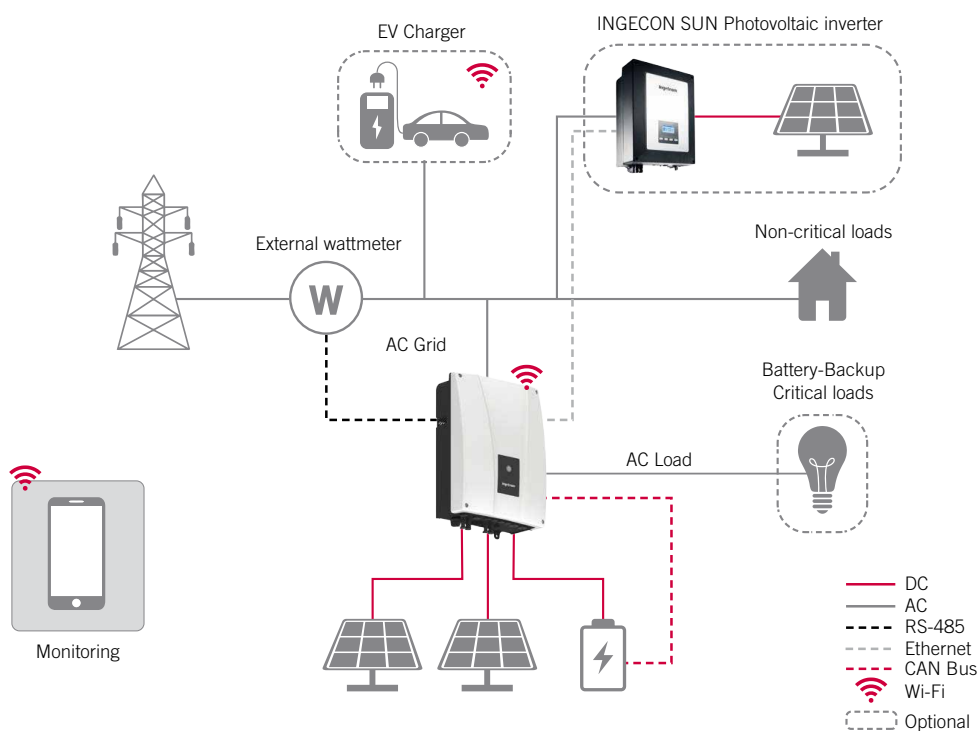
System connected to the distribution grid that seeks to minimize grid consumption and increase self-supply.

If energy production is greater than demand, the excess can be used to charge the batteries and to inject into the grid. It also includes the *Battery-Backup* function, which allows the inverter to power critical loads from the batteries and photovoltaic panels in the event of a power cut.

INFO

For more information about this type of installation, see the "Technical guide for installations with INGECON SUN STORAGE 1Play TL M" available on the Ingeteam website.

2.1. Electrical diagram of the system



i INFO

This diagram represents a standard self consumption installation. For more information about different types of installation, see the "Technical guide for installations with INGECON SUN STORAGE 1Play TL M" available on the Ingeteam website.

2.2. EMC requirements

INGECON SUN STORAGE 1Play TL M units are equipped with the necessary filtering elements to comply with EMC requirements for domestic applications in order to prevent disturbances in other equipment outside the installation.

2.3. Acoustic contamination

The unit produces a slight buzz when in operation.

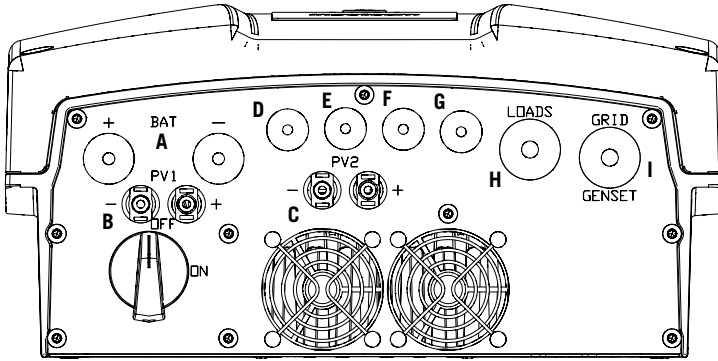
Do not place it on light supports which might amplify this buzz. The mounting surface must be firm and appropriate for the weight of the unit.

2.4. Specification table

	3TL M	4.5TL M	6TL M
Storage system input (DC)			
Voltage range ⁽¹⁾	40 ~ 460 V		
Maximum charge/discharge current	66 A		
Battery type	Lead-acid, Li-Ion (LG, BYD, Pylontech...) ⁽²⁾		
Communication with Li-Ion batteries	CAN Bus 2.0		
PV array input (DC)			
PV array maximum power	11,5 kWp		
MPP Voltage range	80 ~ 480 V		
Operating Voltage Range	80 ~ 540 V		
Maximum input voltage ⁽³⁾	550 V		
Maximum input current (input 1 / input 2) ⁽⁴⁾	13,5 A / 13,5 A		
MPPT number	2		
Number of inputs (input 1 / input 2)	1 / 1		
Auxiliary grid/genset input (AC)			
Rated voltage	230 V		
Voltage range	172 ~ 264 V		
Nominal frequency	50 / 60 Hz		
Frequency range	40 ~ 70 Hz		
Type of grid	TT / TN		
Rated power	3 kW	4,5 kW	6 kW
Max. temperature for rated power	40 °C		
Maximum current	13 Arms	20 Arms	26 Arms
Power factor	-0,8 ~ 1 ~ 0,8		
Critical loads output (AC)			
Power (25 °C) 30 min, 2 min, 3s ⁽⁵⁾	6.400 / 6.900 / 7.900 W		
Maximum current	13 Arms	20 Arms	26 Arms
Rated voltage ⁽⁶⁾	220 ~ 240 V		
Nominal frequency ⁽⁶⁾	50 / 60 Hz		
Power factor	-0,8 ~ 1 ~ 0,8		
Response time of the Back-up function	12 ms		
Performance			
Maximum efficiency	95,5 %	96 %	96 %
Euroefficiency	95,1 %	95,2 %	95,2 %
General data			
Cooling system	Forced ventilation		
Air flow rate	45 m ³ /h		
Weight	26 kg		
Dimensions (height x width x depth)	470 x 360 x 180 mm		
Stand-by consumption	< 10 W		
Operating temperature	-20 ~ +65 °C		
Relative humidity (without condensation)	4 ~ 100%		
Protection class	IP65		
Maximum altitude	2,000 m		
Overvoltage category	Category III (AC) / Category II (DC)		
Markings	CE		
EMC and safety regulations	EN 61000-6-1, EN 61000-6-2, EN 61000-6-3, EN 61000-6-4, EN 61000-3-11, EN 61000-3-12, EN 62109-1, EN62109-2, AS62040.1, FCC PART 15		
Distribution grid connection regulations	DIN V VDE V 0126-1-1, EN 50438, CEI 0-21, VDE-AR-N4105:2011-08, G59/3, G83/2, AS4777.2:2015, IEC 62116, IEC 61727, UNE 206007-1:2013, UNE 206006:2011, UNE 217001 IN:2015,NRS097-2-1, ABNT NBR 16149, ABNT NBR 16150, South African Grid code, P.O.12.2, G99, EN 50549-1		

⁽¹⁾ The maximum power supplied by the battery is the battery voltage multiplied by the maximum discharge current. ⁽²⁾ Consult the Ingeteam website for a list of compatible batteries. ⁽³⁾ Never exceed this value. Consider the voltage increase of the panels 'Voc' at low temperatures. ⁽⁴⁾ For parallel connected PV inputs, the total maximum current would be 27 A. ⁽⁵⁾ In stand-alone mode, the power specified is only available if the sum of the power of the batteries and the photovoltaic power reaches those values. ⁽⁶⁾ Configurable voltage and frequency.

2.5. Description of cable inlets



- A. Storage system.
M20 cable grommet
- B. PV array 1
PV MC4 quick connectors
- C. PV array 2
PV MC4 quick connectors
- D. Digital inputs and outputs
M16 cable grommet
- E. RS-485 communication for external wattmeter.
M16 cable grommet
- F. CAN communication for Li-Ion batteries with BMS or temperature sensor kit for lead-acid batteries.
M16 cable grommet
- G. Ethernet.
M16 cable grommet
- H. Critical loads.
M25 cable grommet
- I. Auxiliary grid/genset.
M25 cable grommet

Cable grommet dimensions	Admitted diameter range
M16	5 mm ~ 9 mm
M20	8 mm ~ 13 mm
M25	11 mm ~ 17 mm

3. Receipt of the unit and storage

3.1. Reception

Keep the unit in its packaging until immediately before installation. Keep the unit in a **horizontal position** at all times.

3.2. Unit identification

The serial number of the unit is its unique identifier. You must quote this number in any communication with Ingeteam.

The unit's serial number is also marked on the nameplate.

3.3. Transport damage

If the unit has been damaged during transport, proceed as follows:

1. Do not proceed with the installation.
2. Notify the distributor immediately within 5 days of receipt of the unit.

If ultimately the unit has to be returned to the manufacturer, the original packaging must be used.

3.4. Storage

CAUTION

Failure to follow the instructions in this section may lead to damage to the unit.

Ingeteam accepts no liability for damage resulting from the failure to follow these instructions.

If the unit is not installed immediately after reception, the following points should be taken into account in order to avoid damage:

- The package must be stored in a horizontal position.
- Keep the unit free of dirt (dust, shavings, grease, etc.) and away from rodents.
- Keep it away from water splashes, welding sparks, etc.
- Cover the unit with a breathable protective material in order to prevent condensation due to ambient humidity.
- Units in storage must not be subjected to weather conditions other than those indicated in section [“2.4. Specification table”](#).
- It is very important to protect the unit from chemical products which can cause corrosion, as well as from salty atmospheres.
- Do not store the unit outdoors.

3.5. Conservation

In order to permit correct conservation of the units, they must not be removed from their original packaging until it is time to install them.

In case of prolonged storage, use dry places, avoiding, as far as possible, sharp changes in temperature.

Deterioration of the packaging (tears, holes, etc.) prevents the units from being kept in optimum conditions before installation. Ingeteam accepts no liability in the case of failing to observe this condition.

4. Equipment transport

You must protect the unit, during transport, from mechanical knocks, vibrations, water splashes (rain) and any other product or situation which may damage it or alter its behavior. Failure to observe these instructions may lead to loss of warranty on the product, for which Ingeteam is not responsible.

4.1. Transport

Transport using a pallet truck

At least the following requirements should be observed:

1. Place the packaged units centered with respect to the forks.
2. Try to locate them as close as possible to the part where the forks and the steering unit meet.
3. In all cases, observe the instructions in the pallet truck's user manual.

Transport using a forklift truck

At least the following requirements should be observed:

1. Place the packaged units centered with respect to the forks.
2. Try to locate them as close as possible to the part where the forks and the steering unit meet.
3. Ensure that the forks are perfectly level to avoid overturning the unit.
4. In any case, observe the instructions in the forklift truck's user manual.

Once the unit has been transported to the place where it is to be located and only when it is to be installed, unpack the unit.

At this time, it can be transported vertically over a short distance without packaging. Follow the guidelines indicated in the following section.

Transport of the unpackaged unit

At least the following requirements should be observed:

1. Use the two side holes to grasp the unit with both hands.
2. Follow the necessary ergonomic advice for lifting weights.
3. Do not release the unit until it is perfectly secured or placed.
4. Ask someone else to guide the movements to be made.

4.2. Unpacking

Correct handling of the units is vitally important in order to:

- Prevent damage to the packaging which enables them to be kept in optimum condition from shipping until they are installed.
- Avoid knocks and/or falls which may harm the mechanical features of the units, e.g. cause incorrect closure of doors, loss of IP rating, etc.
- Avoid, as far as possible, vibrations which may cause subsequent malfunction.

If you observe any anomaly, please contact Ingeteam immediately.

Separating the packaging

You can deliver all the packaging to an authorized non-hazardous waste management company.

In any event, each part of the packaging may be recycled as follows:

- Plastic (polystyrene, bag and bubble wrap): the appropriate container.
- Cardboard: the appropriate container.

5. Preparation for installing the unit

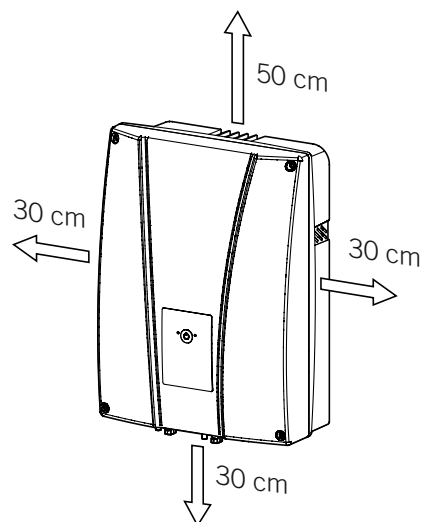
When deciding the location of the unit and planning your installation, you must follow a set of guidelines based on the specifications of the unit. This chapter summarizes the guidelines and details the external elements needed for correct operation of the unit.

5.1. Environment

- These units can be installed indoors and outdoors.
- Place the units in a place which is accessible for installation and maintenance work and which allows the front indicator LEDs to be viewed.
- Avoid corrosive environments that may affect the proper operation of the inverter.
- Never place any object on top of the unit.
- Do not expose the inverters to direct sunlight.



- Keep the following distances free of obstacles:



5.2. Environmental conditions

Environmental operating conditions indicated in the specifications table must be taken into account when choosing the location of the unit.

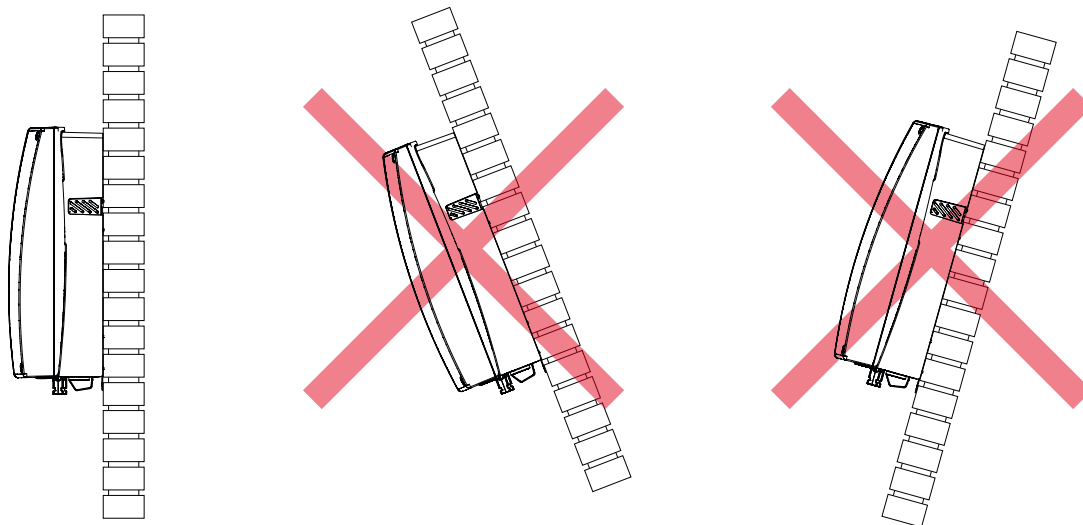
The surrounding atmosphere must be clean and at temperatures above 40 °C, the relative humidity must be between 4% and 50%. Higher percentages of relative humidity up to 95% are tolerated at temperatures below 30 °C.

It should be borne in mind that moderate condensation may occasionally occur as a consequence of temperature variations. For this reason, apart from the unit's own protection, it is necessary to monitor these units once they have been started up on sites where the conditions described above are not expected to be present.

In the event of condensation, never apply voltage to the unit.

5.3. Supporting Surface and Fastening

To guarantee good heat evacuation and promote sealing, the units must be placed on a perfectly vertical wall or, failing this, with a slight slope of a maximum of +80° or -80°.



Reserve a solid wall to which to attach the unit. It must be possible to drill the wall and fit suitable wall anchors and self-tapping screws to support the unit's weight.

5.4. Critical load connection protection

Thermomagnetic circuit breaker

A thermomagnetic circuit breaker must be installed in the critical load output.

The following table provides the necessary data for the selection of these devices by the installer.

INGECON SUN STORAGE 1Play TL M	Maximum current	Thermomagnetic circuit breaker rated current
3TL M	13 Arms	20 Arms
4.5TL M	20 Arms	32 Arms
6TL M	26 Arms	32 Arms

You must take into account when selecting the protection that the ambient working temperature influences the maximum current permitted by these protections as indicated by the manufacturer.

It is necessary to install a differential protection on the critical load line according to the current legislation in the country of installation.

5.5. Protection of the connection to the auxiliary grid/genset

Thermomagnetic circuit breaker

A thermomagnetic circuit breaker must be installed on the connection from the inverter to the auxiliary grid/genset. The following table provides the necessary data for the selection of these devices by the installer.

INGECON SUN STORAGE 1Play TL M	Maximum current	Thermomagnetic circuit breaker rated current
3TL M	13 Arms	20 Arms
4.5TL M	20 Arms	32 Arms
6TL M	26 Arms	32 Arms

When selecting the protection in an installation you must take into account that its breaking capacity is greater than the short-circuit current of the grid connection point.

You must also take into account that the working temperature influences the maximum current permitted by these protections as indicated by the manufacturer.

Residual current device

It is necessary to install a differential protection according to the current legislation in the country of installation, between the inverter and the electrical grid.

5.6. Storage system connection protection

⚠ CAUTION

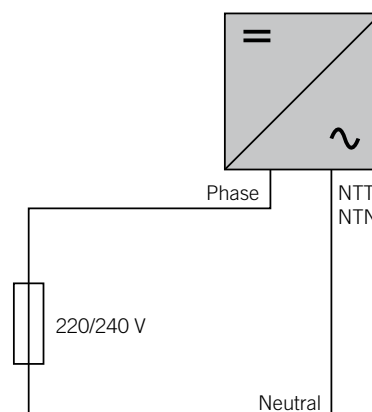
These inverters do not admit grounding of the batteries. Therefore, the battery bank terminals must be isolated from ground. Otherwise the inverter will give an insulation fault.

It is mandatory to install a continuous current switch between the inverter and the battery bank. It must have appropriate dimensions to open the battery bank, taking into account the maximum charge and discharge current.

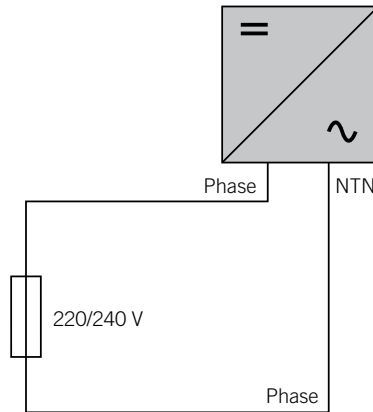
5.7. Type of grid

These inverters can be connected to single-phase or two-phase grids that have the following characteristics. They are not compatible with *Split-phase* grids.

Single-phase grid 220/240 Vac (L-N-PE)



Two-phase grid 220/240 Vac (L-L-PE)



5.8. Battery cabling length

The inverter measures the battery voltage in its connection terminals. For this reason, the installer must use a DC cable with a sufficiently low impedance to prevent the battery charge/discharge process from causing the unit to disconnect due to high or low battery voltage (see section [“8.2. Wiring requirements for connecting the storage system”](#)).

5.9. Auxiliary grid/genset cabling length

The inverter measures the grid/genset voltage in its connection terminals. For this reason, the installer must use an AC cable with a sufficiently low impedance to prevent the current absorption/injection from causing the unit to disconnect due to high or low grid voltage (see section [“11.2. Wiring requirements for connecting the auxiliary grid/genset”](#)).

5.10. Photovoltaic panels

The photovoltaic panels of the installation must be Class A (*IEC 61730*). These units do not allow photovoltaic panel grounding, therefore the positive and negative pole of the PV array must not be connected to ground. Otherwise the inverter will give an insulation fault.

However, the metal structure to which the photovoltaic panels are attached and/or the metal frame of the panel can be connected to ground.

6. Installing the unit

⚠ CAUTION

All installation operations must comply with current regulations.

All operations involving moving heavy weights must be carried out by two people.

Before installing the unit, the packaging must be removed, taking special care not to damage the housing.

Check that there is no condensation inside the packaging. If there are signs of condensation, the unit must not be installed until you are sure it is completely dry.

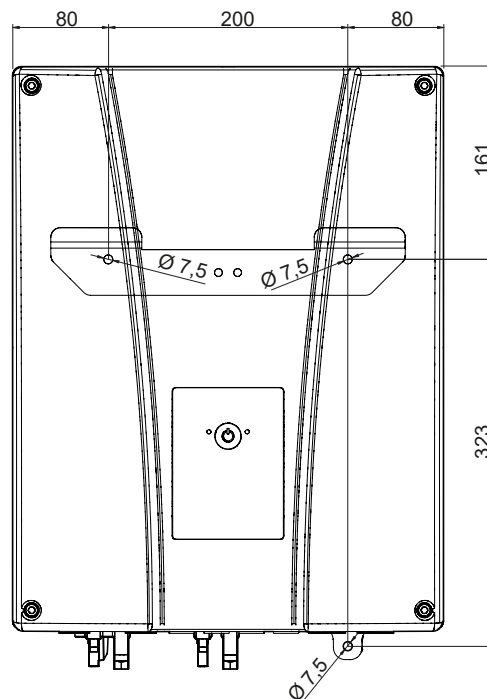
6.1. General requirements for installation

- The environment of the unit must be appropriate and meet the guidelines described in chapter “5. Preparation for installing the unit”. Additionally, the parts used in the rest of the installation must be compatible with the unit and comply with the applicable legislation.
- The ventilation and workspace must be suitable for maintenance tasks according to the applicable regulations in force.
- The external connection devices, which must be suitable and sufficiently close as set forth in current regulations.
- The feed cables must be of the appropriate gage for the maximum current.
- Special care must be taken to ensure that there are no external elements near the air inlets and outlets that obstruct proper cooling of the unit.

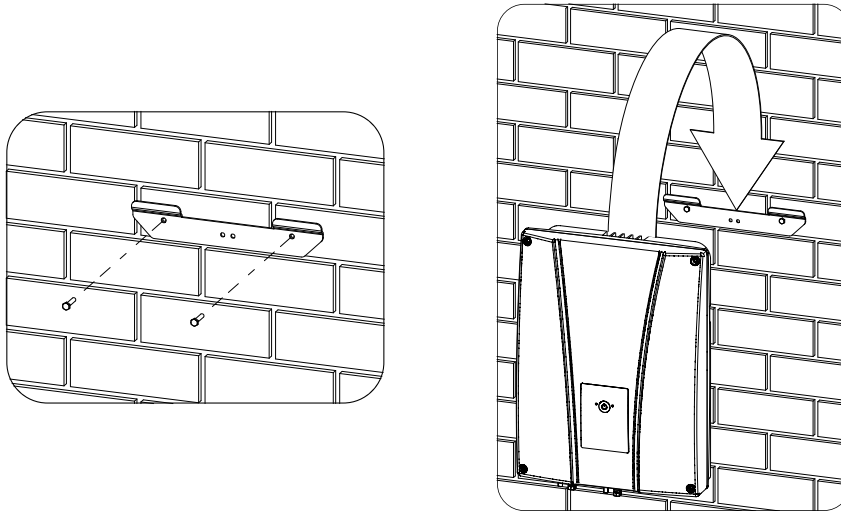
6.2. Attaching the unit to the wall

INGECON SUN STORAGE 1Play units have a system for securing them to the wall using a plate. The steps for fixing the unit properly are as follows. The weight of the unit must be taken into account.

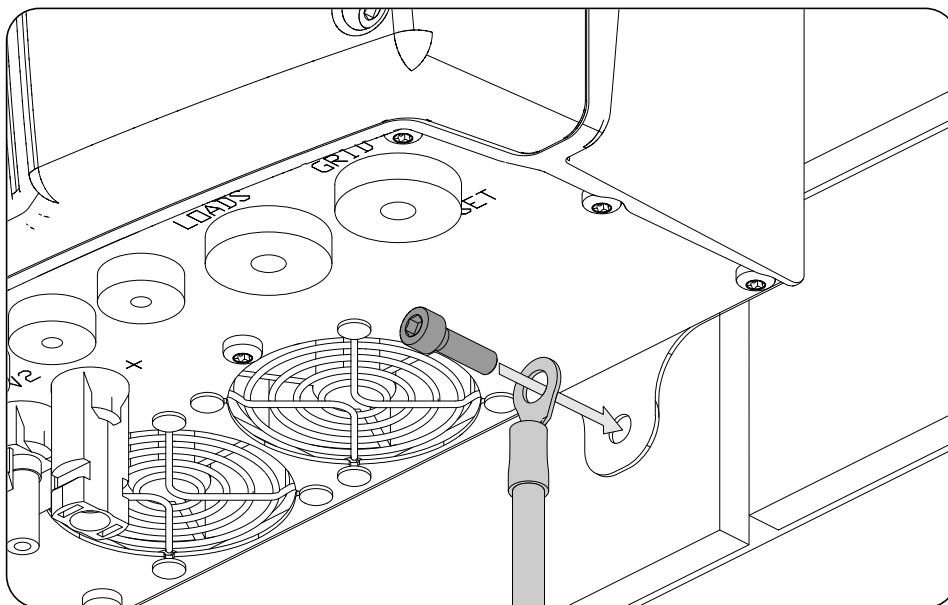
1. Mark the fixing points for the plates on the wall and drill holes with a suitable bit for the screws to be used to secure the plate to the wall later.



2. Fix the plate using stainless steel fittings to prevent corrosion. Suspend the unit from the plate by fitting the two slats in the openings on the back of the unit. Use the two side holes to grasp the unit with both hands.



3. To prevent electric shocks from the inverter housing in the event that the protection cable connected inside the inverter fails, the housing must be connected to ground. To do so, connect the ground cable to the bottom fixing screw.



CAUTION

It is also necessary to connect the protection cable to the inverter grid terminal as described in section [“11.3. Auxiliary grid/genset connection process”](#).

4. Check that the unit properly secured.

6.3. Opening the housing

To access the inside of the unit open the cover of the housing by removing the four front screws.

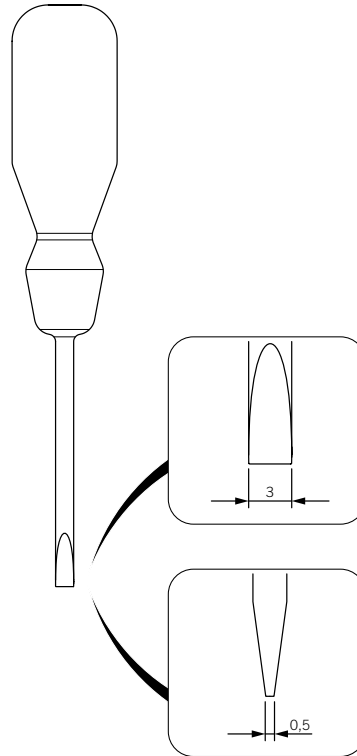
7. Connection/disconnection of wiring in push-in type terminals

The connection of the critical loads and the auxiliary grid/genset is performed using *push-in* type terminals.

This section describes the connection and disconnection process of the wiring in these terminals, as well as the tool to use.

Required tool

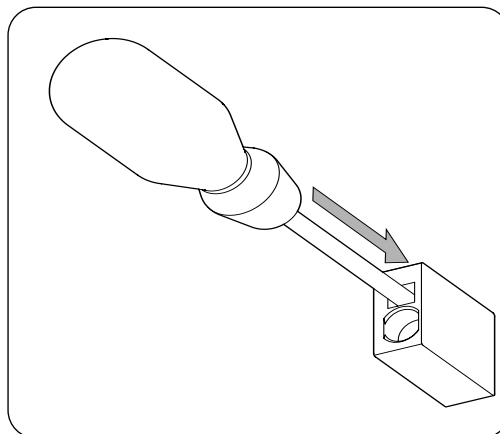
To operate on these terminals, use a flat-head screwdriver with the maximum dimensions specified in the following figure.



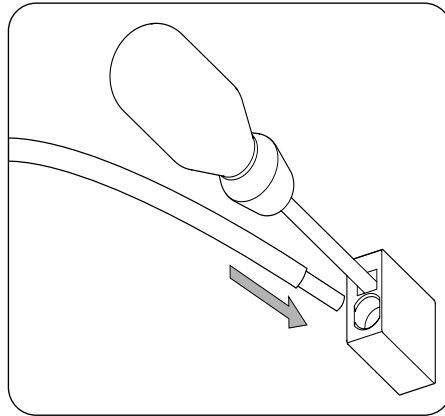
Wiring connection

Follow the steps below to connect the wiring to these terminals:

1. Insert the flat-head screwdriver in the specified slot.



2. Insert the wiring.

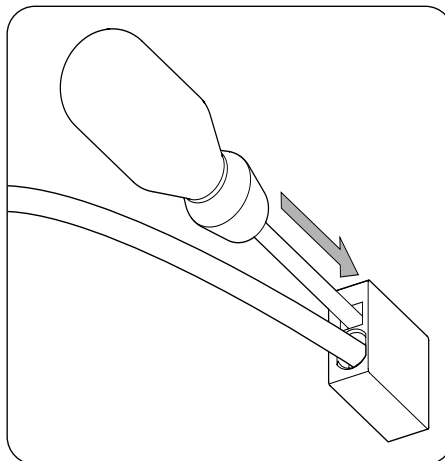


3. Remove the screwdriver.
4. Check that the connection is tight.

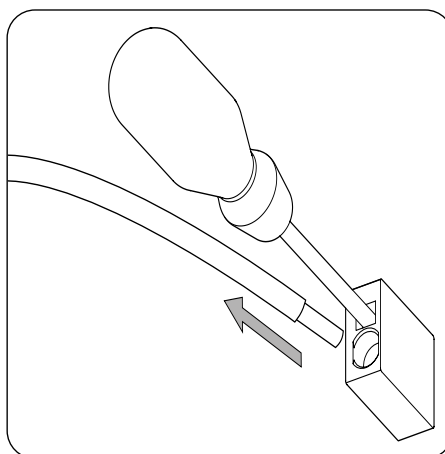
Disconnecting the wiring

Follow the steps below to disconnect the wiring from these terminals:

1. Insert the flat-head screwdriver in the specified slot.



2. Remove the wiring.



3. Remove the screwdriver.

8. Connection of the storage system

This chapter explains the requirements and process for connecting the storage system wiring to the unit. Read carefully before starting the connection process.

8.1. Safety instructions for connecting the storage system

CAUTION

Before you start to make the connections, make sure there is no voltage in the inverter. Check that the protections for the grid/genset, critical loads, storage system and PV array are open.

Do not switch on the power to the unit until you have successfully made the rest of the connections and the unit is closed.

When carrying out the connections, respect the polarities marked on the electronic card. If the connection is performed incorrectly the inverter could be damaged

Ingeteam accepts no liability for any damages caused by an incorrect connection, or by the incorrect application of the tightening torques indicated.

8.2. Wiring requirements for connecting the storage system

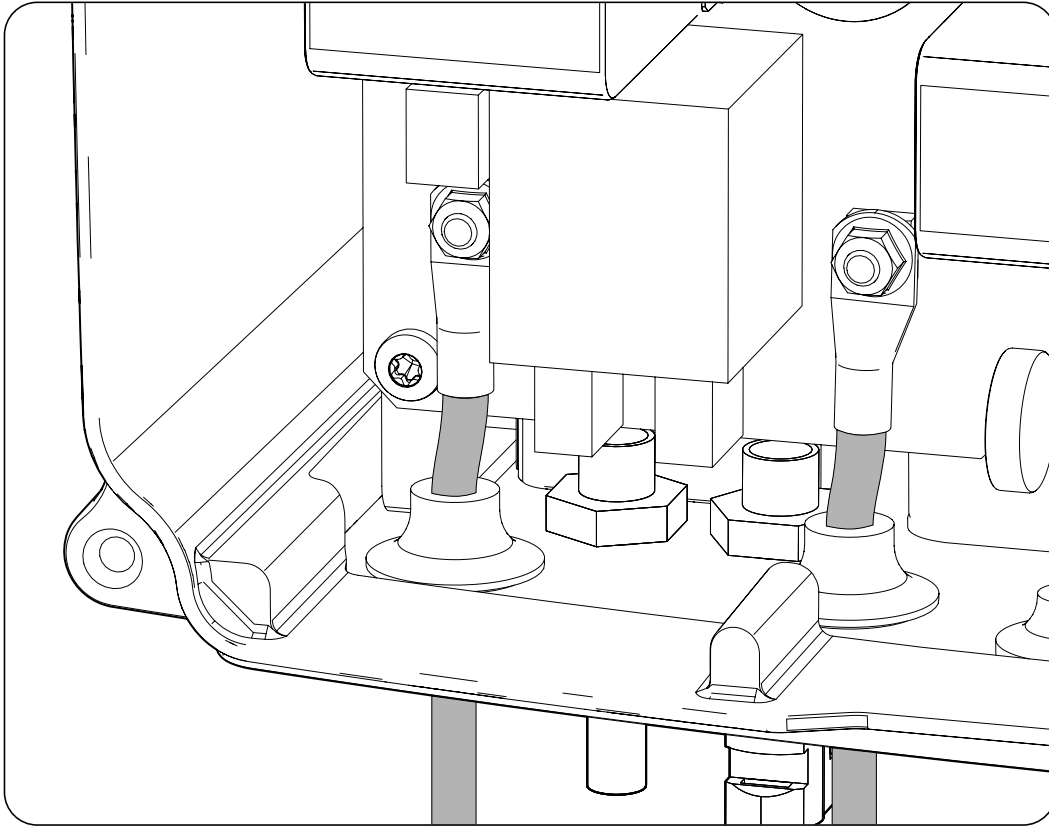
The wiring specifications for connecting the storage system are specified in the following table:

	INGECON SUN STORAGE 1Play TL M		
	Up to 32 A	Up to 40 A	Up to 66 A
Wiring gage	16 mm ²		
Wiring diameter	8 ~ 13 mm		
Other specifications*	Ring terminal for M5 bolt / Ring terminal for M8 bolt		
Nut tightening torque*	M5: 2,5 Nm / M8: 9 Nm		

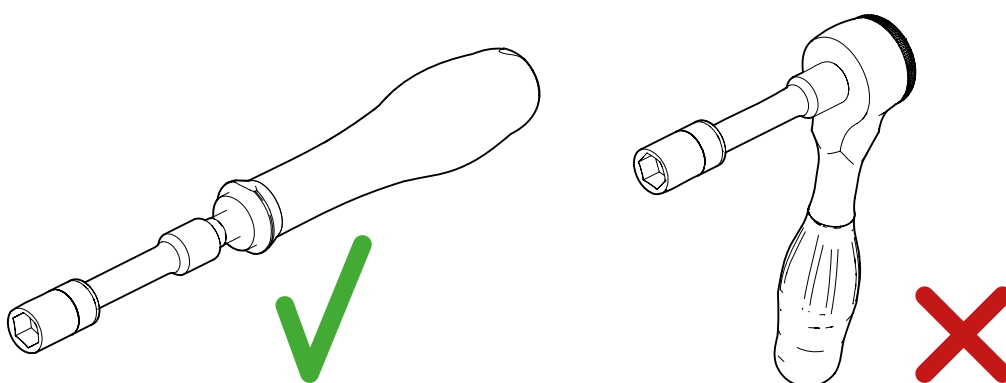
* The storage system connection in the new inverter hardware is carried out using M8 instead of M5. Please check the metric on your inverter and apply the corresponding torque.

8.3. Storage system connection process

To connect the storage system:



1. Pass the storage system wiring through the dedicated cable grommet, respecting the polarities.
2. Remove the bolts and connect the wiring to the terminals marked as *J105 BATTERY +* and *J06 BATTERY -* respecting the polarities.
3. Tighten the nuts to the torque indicated above according to their metric size to ensure correct fastening. It is important not to over-tighten the nuts.



Recommended tools and those that are not recommended for tightening the nuts

4. Check that the connection is tight.

9. Connection of the optional PT-100 temperature sensor kit for lead-acid batteries

Installation of the optional PT-100 temperature sensor kit (reference ABH7203) enables optimum charging of the storage system according to the temperature, thus extending the life of lead-acid batteries.

This chapter explains the requirements and process for connecting the kit to the unit. Read carefully before starting the connection process.

9.1. Safety instructions for connecting the optional PT-100 temperature sensor kit for lead-acid batteries

CAUTION

Before you start to make the connections, make sure there is no voltage in the inverter. Check that the protections for the grid/genset, critical loads, storage system and PV array are open.

Do not switch on the power to the unit until you have successfully made the rest of the connections and the unit is closed.

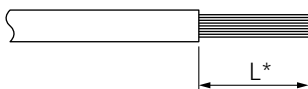
When carrying out the connections, respect the marked polarities.

Ingeteam accepts no liability for any damages caused by an incorrect connection.

9.2. Wiring requirements for connecting the optional PT-100 temperature sensor kit for lead-acid batteries

The wiring specifications for connecting the temperature sensor are specified in the following table:

INGECON SUN STORAGE 1Play TL M	
Wiring gage	0.25 mm ² ~ 1.5 mm ²
Cable diameter	5~ 9 mm
Wiring stripping length (L*)	8 mm



9.3. Connection process for the optional PT-100 temperature sensor kit for lead-acid batteries

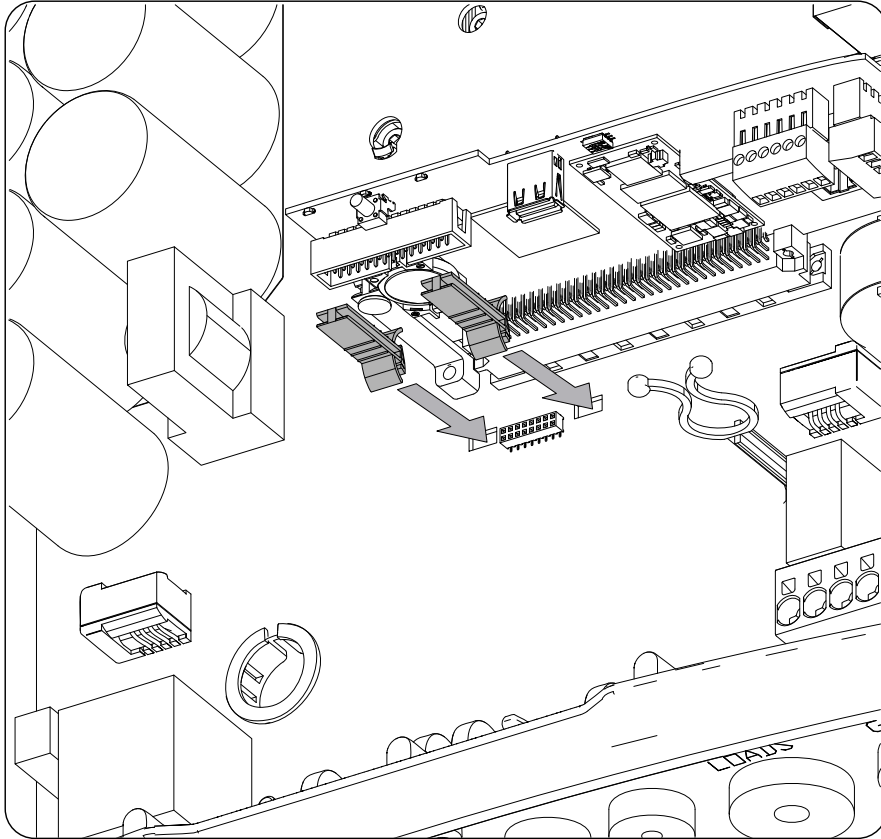
INFO

Ingeteam recommends locating the sensor on a battery located in the central area of the storage system. It should be placed approximately at the center, vertically, of the cell selected, and suitably fixed in accordance with the installation specifications.

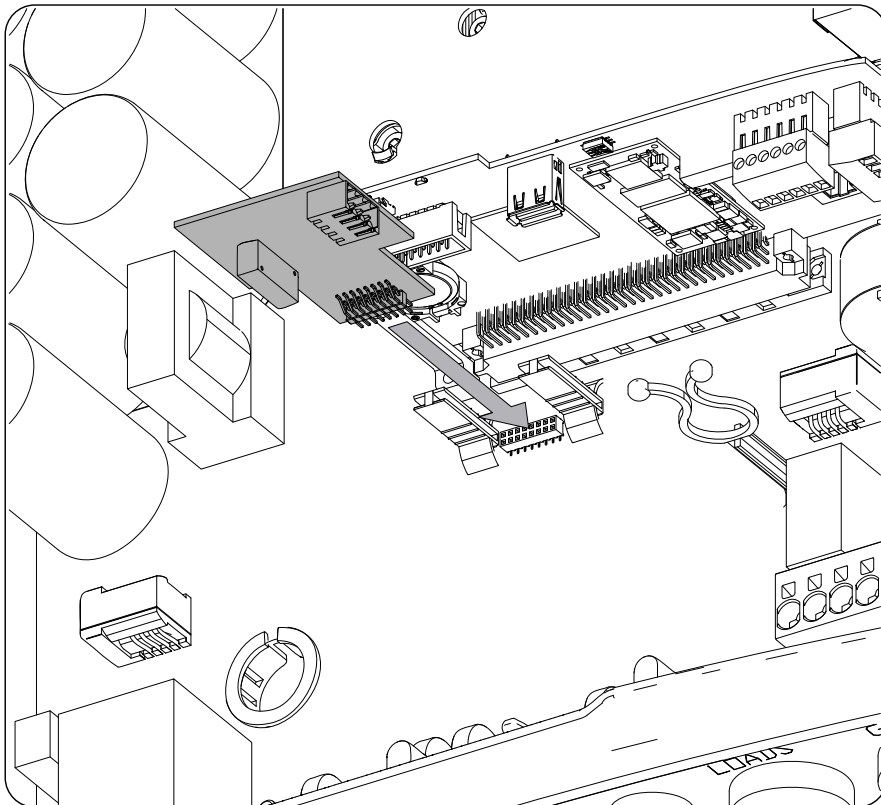
Ingeteam recommends the use of 3-wire temperature sensors.

Follow the instructions below to connect the optional temperature sensor kit:

1. Install the two plastic guides.

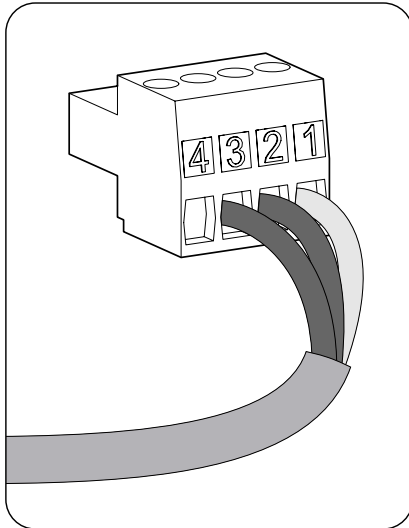


2. Using the guides installed in the previous point, connect the kit card to the main card of the inverter.



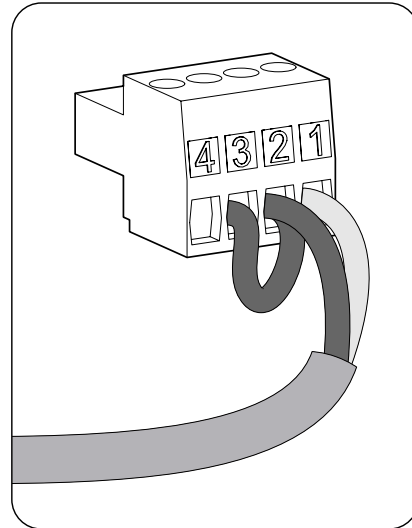
3. Pass the temperature sensor wiring through the dedicated cable grommet on the lower part of the inverter.
4. Ingeteam recommends using a 3-wire sensor, with it being possible to use a 2-wire sensor. Wire the connector respecting the polarities indicated.

3-wire sensor



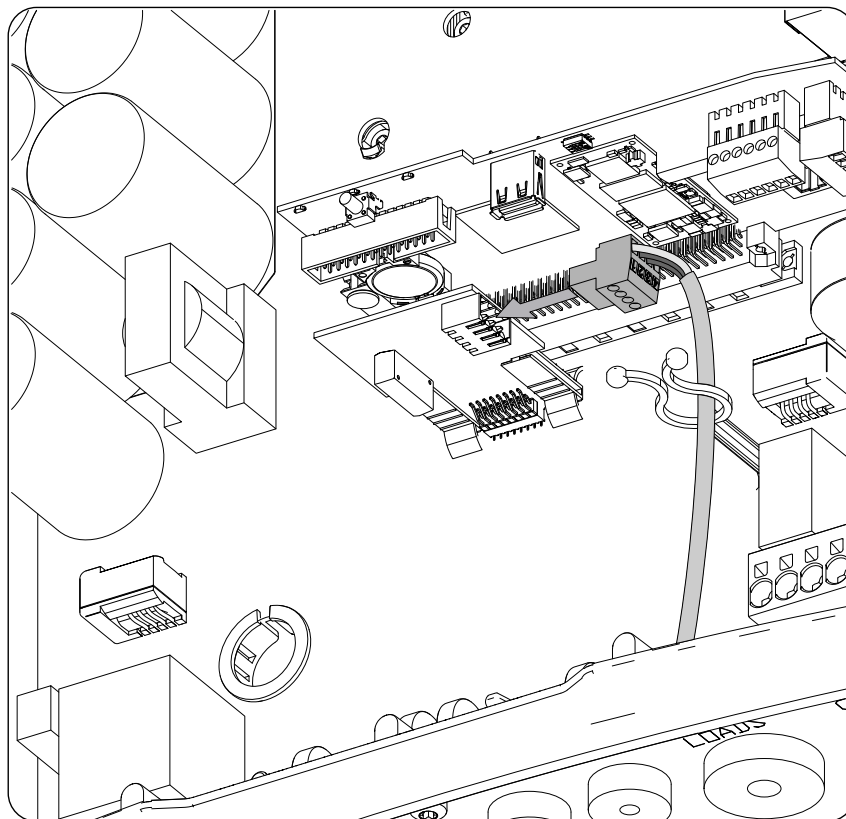
- 1: W (white)
- 2: R (red)
- 3: R (red)
- 4: Not used

2-wire sensor



- 1: W (white)
- 2: R (red)
- 3: Bridge 2-3
- 4: Not used

5. Connect the wiring to the card.



6. Check that the connection is tight.

10. Connection of critical loads

These units have an AC output for connecting critical loads from the installation.

This chapter explains the requirements and process for connecting the critical load wiring to the unit. Read carefully before starting the connection process.

10.1. Safety instructions for connecting critical loads

⚠ CAUTION

Before you start to make the connections, make sure there is no voltage in the inverter. Check that the protections for the grid/genset, critical loads, storage system and PV array are open.

Do not switch on the power to the unit until you have successfully made the rest of the connections and the unit is closed.

When carrying out the connections, respect the polarities marked on the electronic card.

Ingeteam accepts no liability for any damages caused by an incorrect connection.

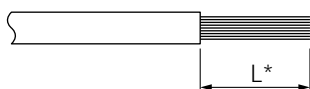
i INFO

In TT grounding systems, when the inverter works without an AC grid, the inverter automatically connects the neutral from the critical loads to ground. This unit has a dedicated internal relay for this function.

10.2. Wiring requirements for connecting critical loads

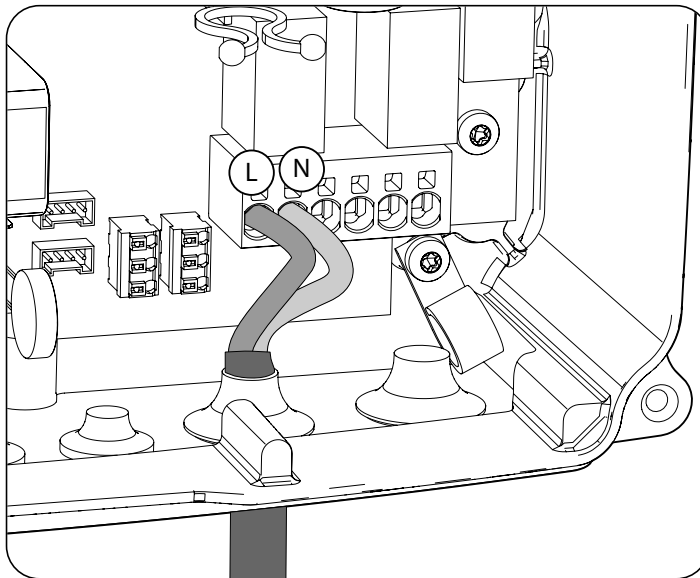
The wiring gage for connecting the critical loads is specified in the following table:

	INGECON SUN STORAGE 1Play TL M	
	Up to 32 A	
Maximum wiring gauge	6 mm ²	
Cable diameter	11 ~ 17 mm	
Wiring stripping length (L*)	18 mm	



10.3. Critical load connection process

Follow the instructions below to connect the critical loads:



L Line

N Neutral

1. Pass the critical load wiring through the dedicated cable grommet (see section [“2.5. Description of cable inlets”](#)).
2. Connect the *push-in* type terminals marked as *J82 Critical Loads*, respecting the polarities. The operation of this type of terminal is described in [“7. Connection/disconnection of wiring in push-in type terminals”](#).
3. Check that the *push-in* spring connection is tight.

11. Auxiliary grid/genset connection

Depending on the installation's requirements and characteristics, there can be an auxiliary electric distribution grid or generator. This chapter explains the requirements and process for connecting the auxiliary grid or generator to the unit.

⚠ DANGER

Before proceeding with the grid connection, identify its TT or TN grounding system. Danger of electrocution due to an incorrect connection of the neutral conductor.

i INFO

In this unit it is possible to use the TT and TN grounding systems. The type of system must be selected through the configuration.

If the neutral conductor is connected incorrectly, the critical load ground connection will not work. In TT systems, the internal transfer relay must disconnect the neutral conductor between the critical loads and the auxiliary grid/genset when the inverter is not connected to the auxiliary grid/genset. However, in TN systems the neutral conductor must be the same one between the critical loads and the auxiliary grid/genset, therefore it cannot be disconnected.

11.1. Safety instructions for connecting the auxiliary grid/genset

⚠ CAUTION

Before you start to make the connections, make sure there is no voltage in the inverter. Check that the protections for the grid/genset, critical loads, storage system and PV array are open.

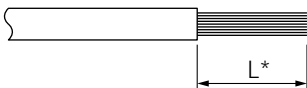
Do not switch on the power to the unit until you have successfully made the rest of the connections and the unit is closed.

When carrying out the connections, respect the polarities marked on the electronic card.

11.2. Wiring requirements for connecting the auxiliary grid/genset

The wiring gage for connecting the auxiliary grid/genset is specified in the following table:

	INGECON SUN STORAGE 1Play TL M
	Up to 32 A
Maximum wiring gauge	6 mm ²
Cable diameter	11 ~ 17 mm
Wiring stripping length (L*)	18 mm



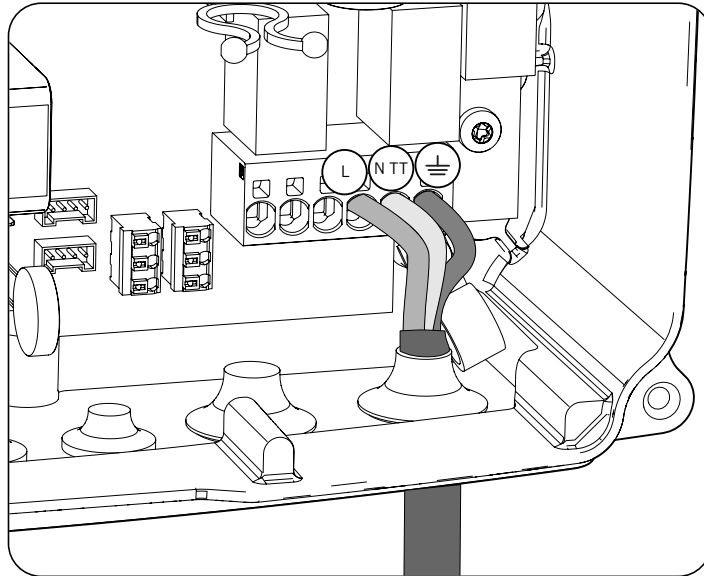
11.3. Auxiliary grid/genset connection process

⚠ CAUTION

For both TT and TN systems, it is necessary to connect a ground cable to the inverter's ground terminal.

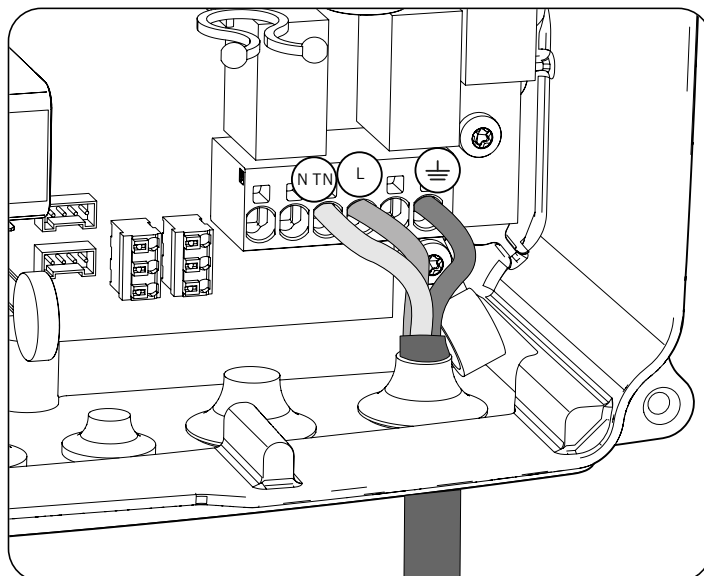
Depending on the grounding system (TT or TN), follow the steps below.

TT grounding system



1. Pass the cable through the cable grommet marked as *GRID/GENSET*.
2. Insert the respective wires in the *J82 GRID* push-in type terminals, respecting the polarity. The neutral connector must be connected to the *J82 N_{TT}* terminal. The operation of this type of terminal is described in "[7. Connection/disconnection of wiring in push-in type terminals](#)".
3. Check that the *push-in* spring connection is tight.

TN grounding system



1. Pass the cable through the cable grommet marked as *GRID/GENSET*.

2. Insert the respective wires in the *J82 GRID* push-in type terminals, respecting the polarity. The neutral connector must be connected to the *J82 N_{TN}* terminal.
3. Check that the *push-in* spring connection is tight.

12. Connecting the PV array

These units have two MPPT inputs for connecting two independent PV arrays.

This chapter explains the requirements and process for connecting the PV array wiring to the unit. Read carefully before starting the connection process.

⚠ CAUTION

The PV arrays cannot be grounded, so their terminals must be isolated from ground.

i INFO

The inverter will only start if the ground impedance of the PV array is higher than 18.3 kOhms.

12.1. Safety instructions for connecting the PV array

⚠ CAUTION

Before you start to make the connections, make sure there is no voltage in the inverter. Check that the protections for the grid/genset, critical loads, storage system and PV arrays are open.

Do not switch on the power to the unit until you have successfully made the rest of the connections and the unit is closed.

When carrying out the connections, respect the polarities marked on the unit.

Ingeteam accepts no liability for any damages caused by an incorrect connection.

12.2. Wiring requirements for connecting the PV array

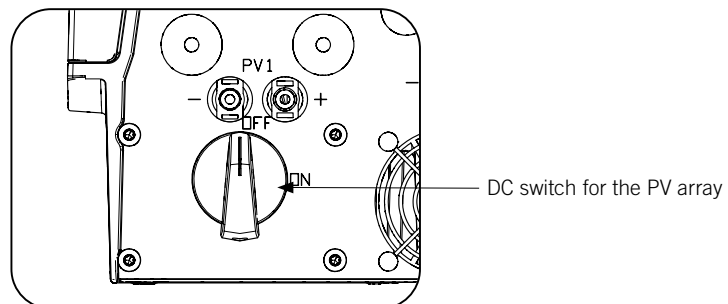
The wiring gage for connecting the PV array is specified in the following table:

INGECON SUN STORAGE 1Play TL M	
Wiring gage	4 ~ 6 mm ²
Connector type	MC4

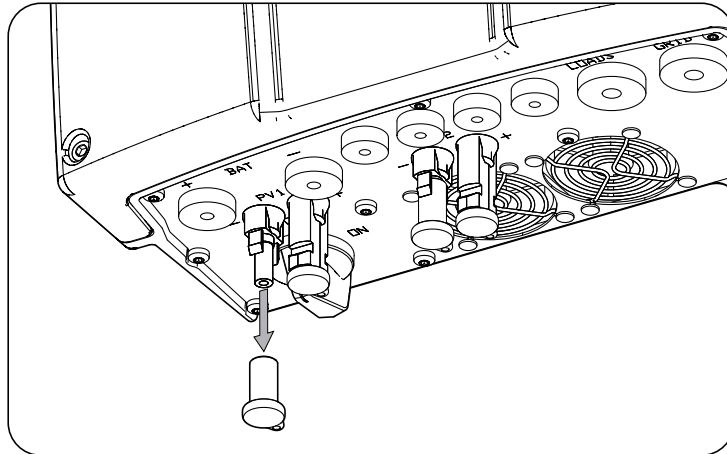
12.3. PV array connection process

To carry out the connection of the PV array, follow the steps below:

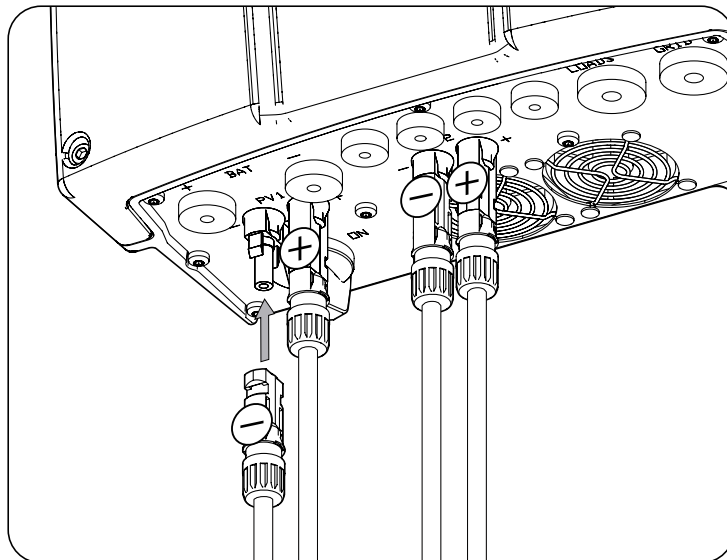
1. Ensure that the DC switch for the PV array, which is located in the lower part of the unit, is OFF.



2. Remove the caps from the quick connectors.



3. Insert the connectors respecting the polarities indicated on the lower connections plate of the unit.



4. Ensure the connections are firm. If you wish to remove the aerial connectors, use the specific tool to do so.

13. Connection of the RS-485 communication for external wattmeter

In self consumption installations, the use of an external wattmeter at the connection point with the distribution grid allows the inverter to have control over all the existing loads, both critical and non-critical.

This chapter explains the requirements and process for connecting the RS-485 communication wiring to the external wattmeter. Read carefully before starting the connection process.

i INFO

For more information about compatible wattmeters, see the "List of compatible wattmeters for with INGECON SUN STORAGE 1Play TL M", available on the Ingeteam website. If the required wattmeter is not in the list, contact Ingeteam. In addition, the wattmeters that appear in this list must be configured with a BaudRate of 9600.

13.1. Safety instructions for connecting the RS-485 communication for the external wattmeter

⚠ CAUTION

Before you start to make the connections, make sure there is no voltage in the inverter. Check that the protections for the grid/genset, critical loads, storage system and PV array are open.

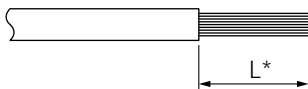
Do not switch on the power to the unit until you have successfully made the rest of the connections and the unit is closed.

When carrying out the connections, respect the polarities marked on the electronic card.

13.2. Wiring requirements for connecting the RS-485 communication for the external wattmeter

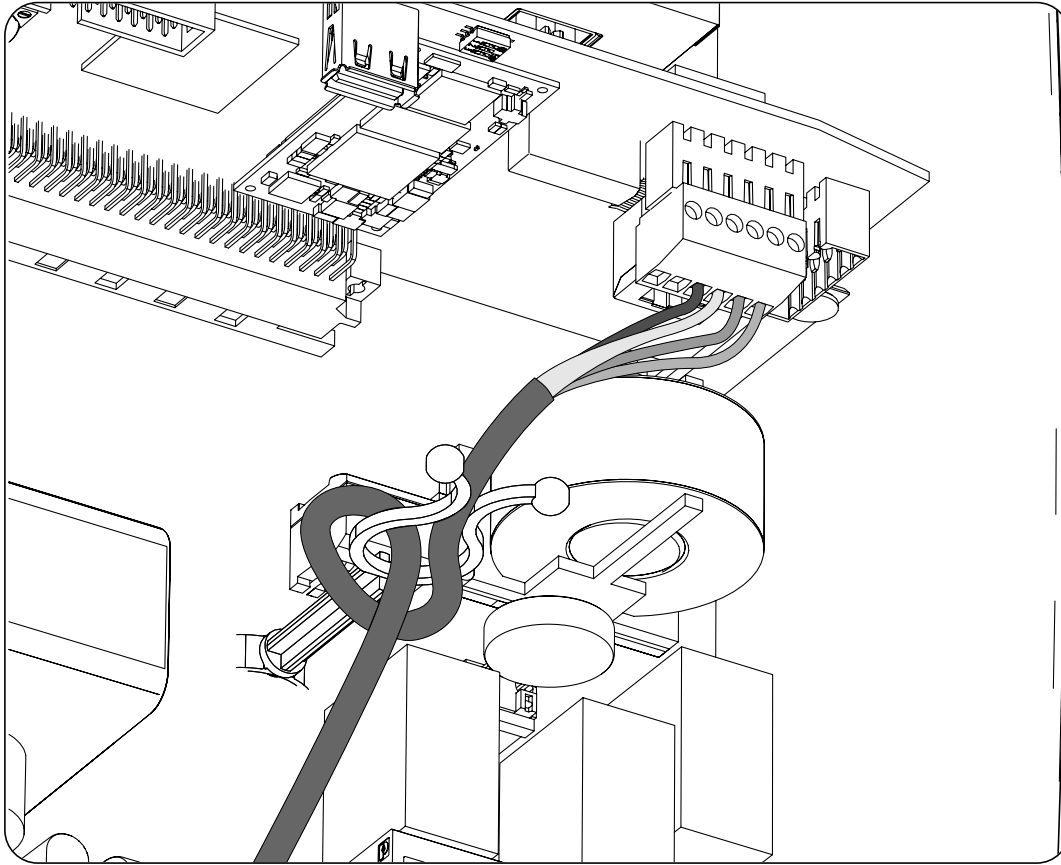
The wiring gage for connecting the RS-485 communication is specified in the following table:

INGECON SUN STORAGE 1Play TL M	
Wiring gage	0.25 mm ² ~ 1.5 mm ²
Cable diameter	5 ~ 9 mm
Wiring stripping length (L*)	8 mm



13.3. Connection process of the RS-485 communication for external wattmeter

Follow these steps:



1. Pass the RS-485 wiring through the dedicated cable grommet (see section [“2.5. Description of cable inlets”](#)).
2. Connect the wiring to terminal *J8 WATTMETER* as shown in the previous figure, respecting the printed instructions on the screen-printed electronic card (*GND*, *SHIELD*, *A-*, *B+*).
3. Guide the cable and if required hold it on the plastic support.
4. Check that the connection is tight.

14. Connection of the CAN communication for Li-Ion batteries

INFO

Consult the list of approved Li-Ion batteries available on the Ingeteam website.

Installing the CAN communication enables the inverter to control the Li-Ion batteries with BMS (*Battery Management System*).

This chapter explains the requirements and process for connecting the CAN communication wiring for Li-Ion batteries with BMS to the unit. Read carefully before starting the connection process.

14.1. Safety instructions for connecting the CAN communication for Li-Ion batteries

CAUTION

Before you start to make the connections, make sure there is no voltage in the inverter. Check that the protections for the grid/genset, critical loads, storage system and PV array are open.

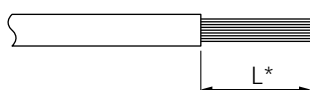
Do not switch on the power to the unit until you have successfully made the rest of the connections and the unit is closed.

When carrying out the connections, respect the polarities marked on the electronic card.

14.2. Wiring requirements for connecting the CAN communication for Li-Ion batteries

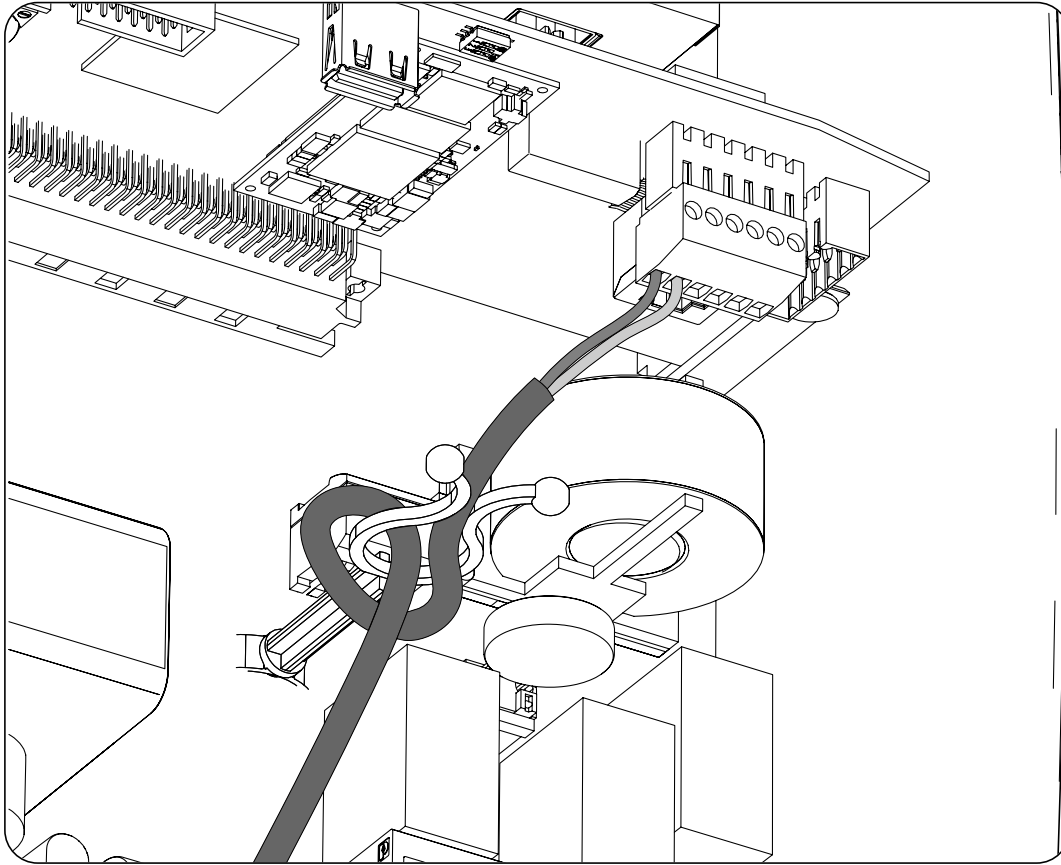
The wiring gage for connecting the CAN communication of the storage system management system is specified in the following table:

INGECON SUN STORAGE 1Play TL M	
Wiring gage	0.25 mm ² ~ 1.5 mm ²
Cable diameter	5 ~ 9 mm
Wiring stripping length (L*)	8 mm



14.3. Connection process of the CAN communication for Li-Ion batteries

To carry out the connection of the CAN communication, follow the steps below:



1. Pass the CAN communication wiring through the dedicated cable grommet (see section [“2.5. Description of cable inlets”](#)).
2. Connect the wiring to terminal *J8 BMS* as shown in the previous figure, respecting the printed instructions on the screen-printed electronic card (CAN_L, CAN_H).
3. Guide the cable and hold it if necessary on the plastic support.
4. Check that the connection is tight.

15. Connecting the digital outputs

These units are equipped with two voltage-free contacts. Both digital outputs have a Normally Open (NO) contact with 5 A 250 Vac and one Normally Closed (NC) contact with 2 A 250 Vac. They can be configured for different purposes.

This chapter explains the requirements and process for connecting the digital output wiring to the unit. Read carefully before starting the connection process.

15.1. Safety instructions for connecting the digital outputs

CAUTION

Before you start to make the connections, make sure there is no voltage in the inverter. Check that the protections for the grid/genset, critical loads, storage system and PV array are open.

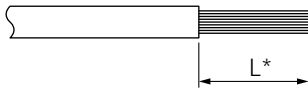
Do not switch on the power to the unit until you have successfully made the rest of the connections and the unit is closed.

When carrying out the connections, respect the polarities marked on the electronic card.

15.2. Wiring requirements for connecting the digital outputs

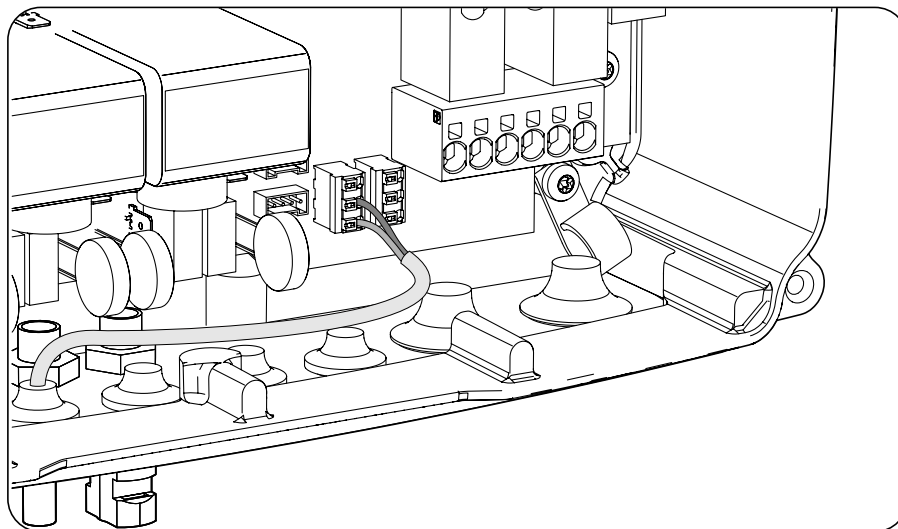
The wiring gage for connecting the digital outputs is specified in the following table:

INGECON SUN STORAGE 1Play TL M	
Wiring gage	0.25 mm ² ~ 1.5 mm ²
Cable diameter	5 ~ 9 mm
Wiring stripping length (L*)	8 mm



15.3. Connection process of the digital outputs

Follow the instructions below to connect the digital outputs:



Digital output 1	J36 EXT RELAY 1
Digital output 2	J44 EXT RELAY 2

1. Pass the CAN communication wiring through the dedicated cable grommet "[2.5. Description of cable inlets](#)").
2. If you wish to use the Normally Open contact, connect the wiring in the NO and COM positions in the *J36 EXT* terminals. *1 RELAY* and/or *J44 EXT. 2 RELAY* as shown in the previous figure.
3. If you wish to use the Normally Closed contact, connect the wiring in the NC and COM positions in the *J36 EXT* terminals. *1 RELAY* and/or *J44 EXT. 2 RELAY* as shown in the previous figure.
4. Check that the connection is tight.

16. Connecting the digital inputs

These units feature a DRM0 input required to comply with Australian regulation AS4777.2, and two digital inputs that are configurable for different purposes.

This chapter explains the requirements and process for connecting the digital input wiring to the unit. Read carefully before starting the connection process.

16.1. Safety instructions for connecting the digital input

CAUTION

Before you start to make the connections, make sure there is no voltage in the inverter. Check that the protections for the grid/genset, critical loads, storage system and PV array are open.

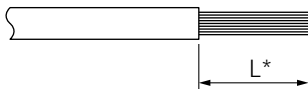
Do not switch on the power to the unit until you have successfully made the rest of the connections and the unit is closed.

When carrying out the connections, respect the polarities marked on the electronic card.

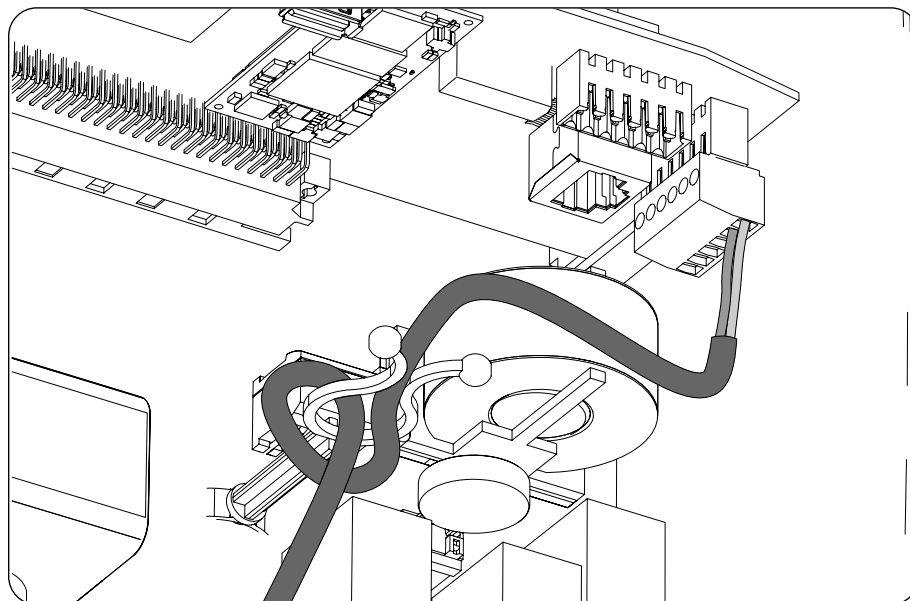
16.2. Wiring requirements for connecting the digital input

The wiring gage for connecting the digital inputs is specified in the following table:

INGECON SUN STORAGE 1Play TL M	
Wiring gage	0.25 mm ² ~ 1.5 mm ²
Cable diameter	5 ~ 9 mm
Wiring stripping length (L*)	8 mm



16.3. Digital input connection process

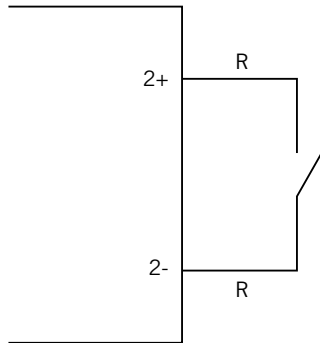


Hardware type B	
Digital Input DRM0	J11 DIGITAL INPUT DRM0
Digital Input 2	J11 DIGITAL INPUT 2

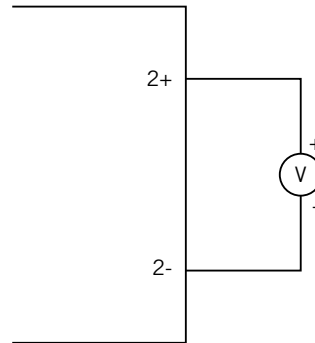
Hardware type B	
Digital Input 3	J11 DIGITAL INPUT 3

Digital input *DRMO* is required to comply with Australian Standard AS4777.2, where an external device called *DRED* controls the unit through this connection.

Inputs 2 and 3 can be configured for different purposes (see “19.7.13. Configuring the digital inputs”) and used with a potential-free contact or with a power supply, both outside the unit.



External potential-free contact



External power supply

The truth table for these inputs is as follows.

Connector		CPU
Potential-free contact	Voltage level	
Open	5 V ~ 24 V	“0”
Closed (R < 100 Ohm)	0 V	“1”
Closed (R > 100 Ohm)	1 V ~ 5 V	X

The digital inputs are connected in the following order:

1. Pass the wiring through the dedicated cable grommet (see section “2.5. Description of cable inlets”).
2. Connect the wiring to terminal J11 DIGITAL INPUT as shown in the previous figures, respecting the polarities printed on the electronic card.
3. Guide the cable and hold it if necessary on the plastic support.
4. Check that the connection is tight.

17. Ethernet TCP connection

These units have Wi-Fi and Ethernet TCP communication.

For wireless communication with the inverter, the latter has a Wi-Fi antenna installed inside.

For wired communication an Ethernet TCP cable is required.

This section explains the process for connecting the Ethernet TCP communication.

17.1. Safety instructions for the Ethernet TCP

CAUTION

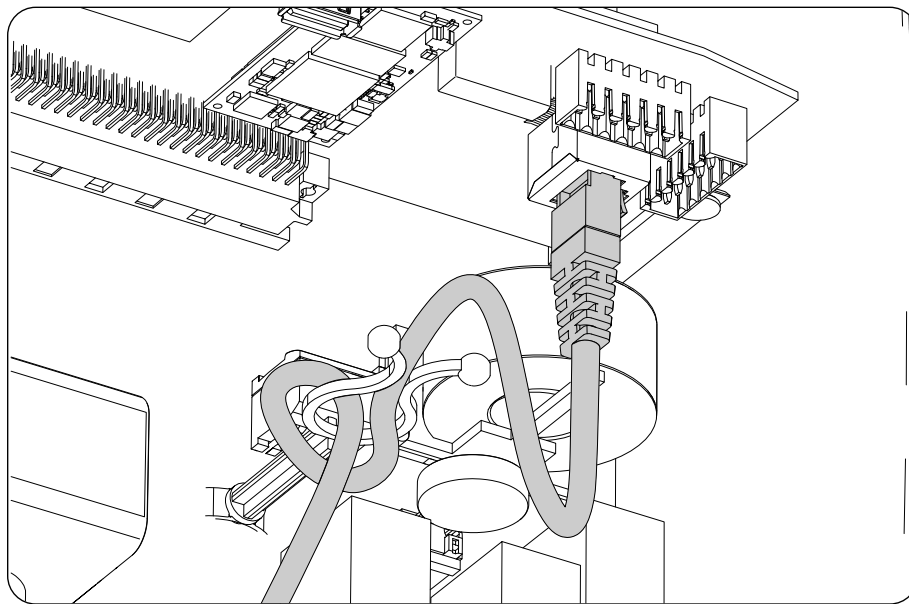
Before you start to make the connections, make sure there is no voltage in the inverter. Check that the protections for the grid/genset, critical loads, storage system and PV array are open.

Do not switch on the power to the unit until you have successfully made the rest of the connections and the unit is closed.

17.2. Ethernet TCP connection process

Follow the steps below to connect the Ethernet TCP wiring:

1. Insert the Ethernet TCP communication cable without the RJ45 connector through the dedicated cable grommet (see section [“2.5. Description of cable inlets”](#)).
2. Crimp the RJ45 connector to the Ethernet TCP cable.
3. Connect the Ethernet TCP cable to the *J10* connector.



4. Guide the cable and hold it if necessary on the plastic support.
5. Check that the connection is tight.

18. Commissioning

This chapter details the process for commissioning the unit.

18.1. Unit inspection

You must check the correct condition of the installation before start-up.

Each installation is different, depending on its characteristics, the country in which it is located or other special conditions which may apply. In all cases, before starting up, it is necessary to ensure that the installation complies with the applicable legislation and regulations and that at least the part to be started up is complete.

18.1.1. Inspection

Before inverter start-up, you must carry out a general inspection of the units involving mainly:

Wiring inspection

- Check that the cables are correctly connected to their connectors at the bottom of the housing.
- Check that these cables are in a good condition and that there are no hazards in their environment which damage them, such as sources of intense heat, objects which could cut them or arrangements which put them at risk of impacts or pulling.

Check that the unit is properly secured

Check that the unit is secured firmly and is not at risk of falling.

18.1.2. Hermetic sealing of the unit

Ensure during installation operations that the unit's level of sealing has not been altered during connection of the unit.

Check the correct adjustment of the connectors and the cable grommets.

Cover

If the front cover has been opened at any time, attach it to the unit using its four bolts as follows:

1. Ensure that the cover is correctly aligned with the housing. This can be confirmed easily by checking that the holes in the cover and the housing mate.
2. Lubricate the screws. Whenever the unit is opened, it is mandatory to lubricate the screws before putting them back in to prevent them seizing.
3. Manually insert the four screws into their threaded holes, starting at the top right, followed by the bottom left and finally the other two.
4. Tighten the screws until a maximum torque of 5 Nm is applied to each of them with a calibrated tool.
5. Check that the sealing is conserved.

The guarantee does not cover damage caused by inadequate sealing of the unit.

18.2. Power-up

CAUTION

You must carry out the tasks outlined for this step with the unit door always closed, thus avoiding possible contact with live parts.


Once a general visual inspection, wiring check and sealing check have been carried out, power up the unit from the battery bank and/or the PV array.

Make sure that the DC switch for the PV array is ON.

If after several seconds the inverter does not show any activity on the LEDs on the panel, verify that the specified polarities have been followed for the connection of the batteries and/or the PV array.


18.2.1. Configuring the unit for the first time


i
INFO





For more information on starting up the inverter, visit the website
https://www.ingeconsuntraining.info/?page_id=25439

To manage the inverter from a smartphone or tablet, you need to install the INGECON SUN Monitor app, available on Apple Store and Play Store.









<https://apps.apple.com/br/app/ingecon-sun-monitor/id1434881715>


<https://play.google.com/store/apps/details?id=com.ingeteam.ingecon.sunmonitor>

Thanks to the web user interface, the inverter can be configured in a simple and agile way, both in stand-alone installations and those connected to grid, through a computer or smartphone.

By default the inverter acts as a Wi-Fi access point, generating a SoftAP network with an SSID similar to *Ingeteam_1GMxxxxxAxx_MMMM*. By default, this network is protected with the password *ingeconsun*.

Follow the instructions below to establish a local connection with the inverter and configure it:

Connecting with a smartphone or tablet

1. Install the INGECON SUN Monitor app.
2. Log in as an authorized installer and press the  icon to connect to the inverter locally.
3. Follow the steps given to access the unit's web application.

Connecting with a computer

1. Connect to the Wi-Fi network generated by the inverter.
2. In the web browser, access the web application at <http://169.254.1.1>. You must log in as an authorized installer.

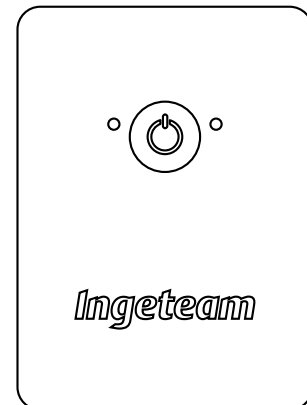
When connecting for the first time, a wizard will guide you through the steps for an optimal configuration.

19. Using the unit

The inverter operation management is done through the control panel and web application.

For starting or stopping the inverter, the control panel made up of a button and its corresponding LEDs can be used.

The full management is carried out through the web application.



19.1. Control panel

The control panel has one button and three LEDs:

On/Off button

Changes the status of the inverter from off to on and vice versa. The press must last longer than one second.

This button is also accessible in the web application.

On/Off LED (green/red)

- Green, flashing: inverter started.
- Green, on: inverter generating voltage in the critical loads or connected to the auxiliary grid/genset.
- Red, on: inverted in manual stop mode.
- Off: the inverter is disconnected or without firmware.

Status information LED (orange)

- Flashing: the inverter has an active warning.
- On: the inverter or battery has an active alarm.

Communications LED (blue)

- Flashing: inverter trying to connect to INGECON SUN Monitor.
- On: inverter connected to INGECON SUN Monitor.
- Off: inverter not connected to INGECON SUN Monitor.

19.2. Inverter management through the web application

The web application allows the inverter to be monitored and configured, adapting it to any type of installation.

It is possible to access the web application from various types of device (smartphone, tablet or computer). The inverter can be managed from the web application either locally (inverter and device connected to the same communication network) or remotely (inverter and device connected to different communication networks).

The following sections describe the process for connecting the inverter locally or remotely.

For the initial connection with the inverter in local mode for configuring it, there are two modes of communication:

- Ethernet interface in DHCP mode.
- Wi-Fi interface in *Access Point* mode.

19.3. Connecting to the inverter locally through its Wi-Fi network


INFO

The Wi-Fi communication network generated by the inverter has a 2.4 GHz wireless frequency.

The inverter has a label attached to it that indicates the SSID and password of the Wi-Fi network (*Default local Wi-Fi access point*).

The inverter acts as a Wi-Fi access point, generating a SoftAP network. Follow the steps below to connect locally to this network:

Connecting with a smartphone or tablet

1. Install the INGECON SUN Monitor app.
2. Log in as an authorized installer and press the  icon to connect to the inverter locally.
3. Follow the steps given to access the unit's web application.

Connecting with a computer

1. Connect to the Wi-Fi network generated by the inverter.
2. In the web browser, access the web application at <http://169.254.1.1>. You must log in as an authorized installer.
3. Access it using the username and password defined on the label attached to the inverter (*Default local access login*).

19.4. Connecting the inverter to a Wi-Fi network

INFO

The Wi-Fi communication network that the inverter is to be connected to must have a 2.4 GHz wireless frequency.

Ingeteam establishes a minimum Wi-Fi signal level received by the inverter of 50% (-75 dBm) to ensure an optimum connection.

In order to connect the inverter to an existing Wi-Fi network, follow the steps below:

1. Connect to the inverter locally (see "[19.3. Connecting to the inverter locally through its Wi-Fi network](#)").
2. Access the Comms menu in the upper part.
3. Select Wi-Fi in the left panel.
4. Press **CONNECT to Wi-Fi Network**. A list of available Wi-Fi networks will display. Select the desired network and enter the password if requested.

INFO

If the SSID identification name of a Wi-Fi network cannot be displayed to the user, enter the network name in the *Custom SSID* field.

19.5. Connecting to the inverter remotely

To connect to the inverter remotely, it must be connected to the internet through a Wi-Fi network or Ethernet. Once connected to the internet, follow the steps below:

1. Access INGECON SUN Monitor.
2. Create a plant with the inverter's *Device ID* and *Password*. This information appears on the sticker on the inverter.
3. Access the plant to see the installation monitoring. You can also access the unit's web application.

i INFO

Keep in mind the following requirements:

- The inverter must be connected to a local network with an internet output in ports UDP80 (or UDP1194) and TCP8883.
- The device that the remote connection is established from must have an internet output in ports TCP80, TCP22 and TCP9001.

By default the routers have the necessary ports for remote communication open. Otherwise, request the network administrator to open these ports.

Ensure that the default gateway and network mask are correct, as the inverter will not have internet access otherwise. By default the inverter operates by DHCP and these parameters do not need to be set up in a network with a DHCP server.

If the inverter is to be configured with a static IP, check the network setting properties of a computer or other device in the same network, or request it from the network administrator.

19.6. Inverter monitoring

These inverters can be monitored from the web application, either locally or remotely. This web application also includes the graphical representation of the inverter data.

To see all the inverter's variables, access the monitoring menu.

Thanks to the *Energy Management System (EMS)* integrated in the inverter, the installation can be monitored remotely via computer or tablet/smartphone with the free INGECON SUN Monitor app, available both in the Play Store and the App Store.

19.6.1. Monitoring by Modbus-TCP

The EMS energy manager of this inverter uses the Modbus-TCP protocol. In addition, most SCADA systems based on Ethernet or Wi-Fi communication also use the Modbus-TCP protocol as standard.

Ingeteam recommends only one client connected to port 502 and with a Modbus-TCP request period to the unit of no less than 1 second, not asking for more than 10 registers per request. Otherwise, correct sending of the inverter data is not ensured.

19.7. Inverter configuration

i INFO

Access to the configuration menu is only allowed to installers (qualified personnel). This required logging in as an installer in the web application.

Ingeteam accepts no liability for incorrect use of the installer username and password.

In the web application for the inverter there is a basic configuration (wizard) which allows the unit to be configured in a basic way and for it to be adapted to different operation modes. To launch the wizard manually, go to the menu *Configuration > Setup Wizard > Launch guided wizard*.

In addition to the wizard, these units have an advanced configuration menu for experienced installers.

This chapter explains the most relevant functionalities that can be accessed from this menu.

19.7.1. Configuring the battery type

⚠ CAUTION

The battery type selection in the configuration process must be done with caution. Ingeteam does not offer any warranty if the battery type is configured incorrectly in the inverter.

For example, if a lead-acid battery is selected in the inverter when the battery is actually Li-Ion, it may be damaged.

These inverters can work with lead-acid batteries and with Li-Ion batteries.

Lead-Acid batteries

For the lead-acid batteries to work properly and to safely prevent overcharges and complete discharges, several settings related to the battery model installed must be configured. To do this, access *Configuration > Advanced Settings > Lead-Acid Battery Settings*.

CAUTION

An incorrect configuration of these settings can reduce the battery life. Ingeteam accepts no liability for the consequences that may arise from incorrect configuration of the unit by the user and/or the installer.

Setting	Description
Nominal Voltage	Rated voltage of the battery bank (V).
Minimum Voltage	Minimum voltage of the battery bank to avoid complete discharges, even stopping the supply from the batteries to the consumers (V).
Time for Minimum voltage	Duration of the minimum voltage of the battery bank. Time for which the battery bank must be maintained at the minimum voltage to avoid complete discharges (seconds).
Capacity (C20h)	C20 capacity specified by the battery manufacturer (Ah). This setting is used to precisely determine the battery state of charge (SOC).
Capacity (C5h)	C5 capacity specified by the battery manufacturer (Ah). This setting is used to precisely determine the battery state of charge (SOC).
Maximum Charge Current	Maximum charge current of the battery bank (A).
Maximum Discharge Current	Maximum discharge current of the battery bank (A).
Absorption voltage	Absorption voltage of the battery bank (V). Allows the batteries to be charged at constant voltage.
Flotation voltage	Flotation voltage of the battery bank (V). Allows the batteries to be charged completely.
Equalization voltage	Equalization voltage of the battery bank (V). This parameter is used when maintenance has to be performed on the liquid electrolyte batteries. Consult the battery manufacturer about this parameter (see " 19.13. Performing an equalization charge of the batteries ").
Duration of Equalization charge	Duration of equalization charge. Time for which the battery bank must be maintained at the equalization voltage (minutes).

To prevent overcharging and incomplete charging of the lead-acid batteries, these inverters allow the battery temperature to be monitored via the optional PT-100 temperature sensor kit (see section "[9. Connection of the optional PT-100 temperature sensor kit for lead-acid batteries](#)"). This kit allows the charge voltage to be adapted to the current temperature of the battery at any time. For this, the kit and a PT-100 sensor must be installed, and the inverter must be configured, activating the automatic temperature compensation.

At temperatures equal to or higher than 20 °C the inverter reduces the battery charge voltage. At temperatures below 20 °C the inverter increases the battery charge voltage. To modify the compensation constant in mV/°C/Cell and/or activate the automatic temperature compensation, access *Configuration > Advanced Settings > Lead-Acid Battery Settings*.

Setting	Description
Mode	Allows the automatic temperature compensation of the lead-acid batteries to be activated or deactivated.
Temperature compensation	Compensation temperature in a cell, in -mV/°C/Cell. See the battery datasheet. The default value is -4mV/°C/Cell.

Li-Ion batteries

The Li-Ion batteries suitable for the INGECON SUN STORAGE 1Play have their own advanced battery management, which is usually programmed by the manufacturer and integrated in the batteries (BMS). Ingeteam cannot in any way change the operation of this external advanced battery management.

INFO

For more information about the compatible Li-Ion batteries, see the "List of Li-Ion batteries approved for the INGECON SUN STORAGE 1Play TL M" available on the Ingeteam website.

i INFO

If the battery model is not in the list, contact Ingeteam.

19.7.2. Configuring the inverter to work only with the PV array, without batteries

These inverters can work only from the PV array, without using the battery input. To do this:

1. Go to *Configuration > Advanced Settings > Type of Battery*.
2. Select as *No Configuration*.

In this operating mode, if the grid is available, the inverter remains connected even with low PV power. This allows the unit to be connected and the installation to be monitored at all times.

To disable this function, access *Configuration > Advanced Settings > Other Settings > Low PV Power Stop*.

19.7.3. Configuring the operation mode and its settings

These inverters can be used both in stand-alone installations and installations connected to grid.

i INFO

For more information about this type of installation, see the "Technical guide for installations with INGECON SUN STORAGE 1Play TL M" available on the Ingeteam website.

The operating mode of the unit is different depending on the type of installation where the inverter is to be used. To select the mode type, access *Configuration > Advanced Settings > Operation Mode*.

Setting	Description
Stand Alone	The inverter generates an alternative stand-alone grid and acts as a grid manager, guaranteeing the balance between photovoltaic generation, consumption and the batteries. It allows the connection of an auxiliary generator for charging the batteries in the event of a power shortage.
UPS	This operating mode was designed for systems connected to the distribution grid, where grid outages are long and frequent. During a grid outage the energy stored in the batteries is used to supply the loads. To do so, the batteries remain charged while the grid is available and the photovoltaic energy is used to supply the consumers, reducing energy consumption from the grid. Grid supply of photovoltaic excess is user configurable.
Self Consumption	The inverter manages the energy flows within the installation to minimize consumption from the distribution grid and increase self-supply. The <i>Battery-Back Up</i> function can be activated in this operation mode. With this functionality, in the event of a power outage the inverter provides the energy required for critical loads from the batteries and PV array. The grid feed-in of photovoltaic excess and the scheduling for charging batteries from the grid is configurable by the user.

After selecting the inverter operation mode, the following parameters must be set:

Operation mode: Stand-Alone	
Setting	Description
SOC Max	Maximum state of charge for charging the batteries from the photovoltaic energy (%).
SOC Off	Maximum state of charge for charging the batteries from the generator. In addition, it disconnects the generator if it has been started by SOC On (%).
SOC On	Minimum state of charge for starting the auxiliary generator (%).
SOC Recx	State of charge above which the power supply to the loads is restarted, once coming from SOC Descx (%).
SOC Descx	Charge status below which the power supply to the loads is stopped (%).

Operation mode: UPS	
Setting	Description
SOC Max	Maximum state of charge for charging the batteries from the photovoltaic energy (%).

Operation mode: UPS	
Setting	Description
SOC Grid	Maximum state of charge for charging the batteries from the public grid (%).
SOC Recx	Charge status above which the power supply to the critical loads is restarted, once coming from SOC Descx (%).
SOC Descx	Charge status below which the power supply to the critical loads when the grid is not available (%).

Operation mode: Self consumption	
Setting	Description
SOC Max	Maximum state of charge for charging the batteries from the photovoltaic energy (%).
SOC Recovery	Charge status above which the battery discharge resumes, once coming from SOC Descx (%). This prevents excessive battery cycling, extending their working life.
SOC Min	Charge status under which battery discharge is not allowed when the grid is available. SOC Recovery must be reached to resume the self consumption with battery input.
Battery-Backup	In the event of a power outage, the energy required for critical loads is supplied from the batteries and PV array. If this function is activated, the SOC Recx and SOC Descx parameters need to be configured.
SOC Recx	Charge status above which the power supply to the critical loads is restarted, once coming from SOC Descx (%).
SOC Descx	Charge status below which the power supply to the critical loads when the grid is not available and the <i>Battery-Backup</i> function is enabled (%).

19.7.4. Configuring the regulations in grid connection installations

In installations connected to the distribution grid the inverters must operate according to the regulations applicable to the installation.

To select the applicable regulation, access *Configuration > Advanced Settings > Grid Settings*.

After configuring the regulation, configure the rated voltage and frequency. To do this, access *Configuration > Advanced Settings > AC Installation type*.

Setting	Description
Nominal Voltage	Rated voltage of the AC grid (V).
Nominal Frequency	Rated frequency of the AC grid (Hz).

19.7.5. Configuring the TT/TN grounding system

DANGER

Before proceeding with the grounding system configuration, correctly identify the connection of the grid neutral cable in the unit (see “11. Auxiliary grid/genset connection”). The neutral connection must match the configuration of the grounding system.

These inverters include as standard a relay for connecting the critical load neutral to ground in installations with TT neutral regime.

By default they are configured with the TT grounding system. This means that when the unit works in off-grid mode or without grid, in UPS and Self consumption modes, the inverter connects the neutral cable from the critical loads to the installation's ground. This way, a grounding fault in the critical loads is detected and protected by the installation's residual current device.

For installations with a TN neutral regime, the inverter's grounding system must be changed from *Configuration > Advanced Settings > AC Installation type > Grounding System*.

In TN systems, the inverter will always maintain the critical load neutral cable connected to the distribution grid neutral, both in off-grid mode and in on-grid mode.

19.7.6. Configuring the battery charge from the distribution grid

In installations connected to the distribution grid, these inverters can be configured to charge the batteries from the grid. The configuration will be different depending on the type of installation.

UPS installations

In UPS installations, the batteries will be charged from the grid until they reach the SOC Grid state of charge (see section [“19.7.3. Configuring the operation mode and its settings”](#)). To do this, establish a maximum power for the battery charge:

1. Access *Configuration > Advanced Settings > Operation Mode > Maximum battery charging power from the Grid*.
2. Enter the maximum power in watts. If you do not want to charge the batteries from the grid, enter 0 watts.

In addition, it is important to define the contracted power in the installation for the inverter to optimize the battery charge. To establish the contracted power:

1. Go to *Configuration > Advanced Settings > Grid Settings > Hired Grid Power*.
2. Enter the contracted power in watts.

The battery charge will be performed with the lower power between:

- Maximum Charge Power.
- The difference between the Contracted Power and the Critical Load Consumption.

Self consumption installations

In self-consumption installations, the inverter allows daily management of the battery charge from the grid until the SOC Grid state of charge is reached. To do this, establish a maximum power for the battery charge:

1. Access *Configuration > Advanced Settings > Operation mode > Maximum battery charging power from grid*.
2. Enter the maximum power in watts. If you do not want to charge the batteries from the grid, enter 0 watts.

In addition, it is important to define the contracted power in the installation for the inverter to optimize the battery charge. To establish the contracted power:

1. Access. *Configuration > Advanced Settings > Grid configuration > Power Contracted*.
2. Enter the contracted power in watts.

The battery charge will be performed with the lower power between:

- Maximum Charge Power.
- The difference between the Contracted Power and the Critical Load Consumption.

On the other hand, a scheduling is established for battery charging from the grid. To activate the scheduling, access *Configuration > Advanced Settings > Self-consumption Settings > Scheduling for Charge Battery from Grid* and set the following parameters:

Setting	Description
Mode	Allows the battery charge scheduling to be activated or deactivated.
SOC Grid (%)	Maximum state of charge for charging the batteries from the public grid (%).
Hour On	In a hh:mm type scheduling, sets the start hour (hh) for the time frame in which battery charging is permitted.
Minute On	In a hh:mm type scheduling, sets the start minute (mm) for the time frame in which battery charging is permitted.
Hour Off	In a hh:mm type scheduling, sets the end hour (hh) for the time frame in which battery charging is permitted.
Minute Off	In a hh:mm type scheduling, sets the end minute (mm) for the time frame in which battery charging is permitted.

19.7.7. Configuring the maximum photovoltaic excess distribution grid injection power

In installations connected to grid, these inverters can be configured to inject excess photovoltaic power to the distribution grid. This makes it possible to sell excess photovoltaic power in a simple and automatic way.

To set the maximum grid injection photovoltaic power:

1. Go to *Configuration > Advanced Settings > Operation Mode > Maximum surplus PV power injected into the Grid*.
2. Enter the maximum power in watts. If you do not want to inject excess photovoltaic power to the grid, enter 0 watts.

The inverter uses photovoltaic energy as a priority to supply consumptions and to charge the battery. In the event of excess photovoltaic energy, the user can decide whether to inject into the distribution grid or limit photovoltaic production through this parameter.

19.7.8. Configuring the Battery-Backup function in self consumption installations

In self consumption installations these inverters allow performing the Battery-backup function. In the event of a distribution grid failure, the inverters internally disconnect the installation from the distribution grid and provide the necessary power to the consumers from the batteries and the PV array. To do this, the consumers must be connected to the inverter in the critical loads output (see "[10. Connection of critical loads](#)").

By default, this function is switched off. To activate it, access *Configuration > Advanced Settings > Operation Mode > Self Consumption Settings > Battery-Backup Function*.

The response time of the system in the event of a grid outage is imperceptible for most of the consumers.

In the event of a grid outage, only in TT grounding systems the inverter will automatically connect the critical loads neutral to ground, using its internal relay.

INFO

For more information about this type of installation, see the "Technical guide for installations with INGECON SUN STORAGE 1Play TL M" available on the Ingeteam website.

If the inverter-s critical load output is not used, it is recommended to disable the Battery-backup function. This way, in the event of a distribution grid failure, the unit will remain stopped to avoid discharging the battery.

19.7.9. Configuring the auxiliary generator in stand-alone installations

In stand-alone installations these inverters can operate with an auxiliary generator that is connected in the event of a power deficit and/or to charge the battery.

To configure the generator parameters, access *Configuration > Advanced Settings > Generator Settings* and enter the parameters.

Setting	Description
Nominal Apparent Power	Apparent rated power of the diesel generator set (VA). With this parameter, the inverter estimates the power available for loading the batteries, considering the consumption of the installation from the generator.
Minimum AC Voltage	Minimum AC voltage generated by the diesel generator set (V).
Maximum AC Voltage	Maximum AC voltage generated by the diesel generator set (V).
Minimum AC Frequency	Minimum frequency generated by the diesel generator set (Hz).
Maximum AC Frequency	Maximum frequency generated by the diesel generator set (Hz).
Vac/Fac Time	Time that must be maintained with Vac and Fac out of range to disconnect the generator (ms).

The generator can start automatically using a command through a digital output in the inverter. For this, the digital output must be configured as *Start/Stop Generator* (see "[19.7.12. Configuring the digital outputs](#)"). The options available for starting the auxiliary generator through the inverter are:

Options	Description
Battery state of charge (SOC)	Allows the generator to be activated once the state of charge reaches the SOC On parameter or when the battery voltage is below its minimum voltage. The generator is switched off once the state of charge reaches the SOC Off parameter and when the battery voltage is above its rated voltage. This option is always activated by default and cannot be deactivated.
Scheduling	When this function is activated, the generator will be switched on/off every day during a range of defined hours.
Consumption grid overload	When this function is activated, the generator is switched on/off according to the power consumed by the loads in a set time.
Manually	This allows you to switch the generator on/off manually and immediately. The generator will continue to run until the shut-down is ordered by the same method.
Battery overvoltage	Allows the generator to be started once a battery overvoltage has been determined. It is considered battery overvoltage when the maximum discharge current of the battery is exceeded twice. The generator is switched off once the state of charge reaches the SOC Off parameter. This option is always activated by default and cannot be deactivated.
Low AC voltage in the consumption grid	Allows the generator to be switched on once it has been determined that the inverter cannot generate an optimal AC voltage in the load output. (See parameter <i>Vac L1 Limit</i> in “19.7.11. Configuring the overvoltage and short circuit protection in the critical load output”). The generator is switched off once the state of charge reaches the SOC Off parameter. This option is always activated by default and cannot be deactivated.

19.7.10. Configuring the battery charge from the generator

To charge the batteries from the auxiliary generator, you must establish the maximum battery charge power. To configure this parameter:

1. Go to *Configuration > Advanced Settings > Operation Mode > Maximum battery charging power from the Grid*.
2. Enter the maximum power in watts. If you do not want to charge the batteries from the generator, enter 0 watts.

This way, whenever the inverter is connected to the generator the batteries are charged until reaching the SOC Off state of charge and until the battery voltage is above its rated voltage.

The battery charge power is determined by the lower power between:

- Maximum Charge Power.
- Difference between the Generator Rated Power and the Consumptions.

19.7.11. Configuring the overvoltage and short circuit protection in the critical load output

In stand-alone installations and installations connected to the distribution grid with the Battery-backup function activated, these units can protect the critical load output against overvoltage and short-circuits.

To do this, the following parameters must be set in *Configuration > Advanced Settings > Critical Loads Settings*.

Setting	Description
Vac L1 Limit	Minimum limit of AC voltage that the inverter generates (%Vnom · 10). Below this limit it is considered an abnormal AC voltage for critical loads.
Vac L1 Time	Time that the AC voltage generated by the inverter must remain under the Vac L1 limit in order to disconnect the critical loads (ms).
Over-Load in Critical Loads	Allows critical loads to be disconnected if an AC overvoltage has been detected 3 times in a row (see Power 30 min, 2 min, 3 s in “2.4. Specification table”). By default, the inverter will remain stopped until the overvoltage has been removed. Once removed, the inverter must be reset.
Short-Circuit in Critical Loads	Allows critical loads to be disconnected if an AC short-circuit has been detected 3 times in a row. By default, the inverter will remain stopped until the fault has been removed. Once removed, the inverter must be reset.

19.7.12. Configuring the digital outputs

These inverters have several voltage-free outputs which can have the following functionalities:

Options	Description	State of the normally open (NO) voltage-free contact
No Configuration	No task assigned (default option)	OPEN
Start/Stop Generator	Auxiliary generator activation signal	Turn off the generator: OPEN Turn on the generator: CLOSED
On/Off by Communication	Digital output control via communications.	Off: OPEN On: CLOSED
On-grid	Signal to indicate that the inverter is connected to the auxiliary grid or generator.	Disconnected: OPEN Connected: CLOSED

To configure the digital outputs, go to *Configuration > Advanced Settings > Digital Output/Input*.

19.7.13. Configuring the digital inputs

These inverters have a DRMO input for the Australian market and two digital inputs, which can have the following functions:

Options	Description	State of the voltage-free contactor / Voltage level
No Configuration	No task assigned (default option)	OPEN / High level
Start/Stop Inverter	Starts or stops the inverter	Start: OPEN / High level Stop: CLOSED / Low level
Connect to generator	To connect the inverter to the auxiliary grid or generator.	Do not connect: OPEN / High level Connect: CLOSED / Low level
Do Not Discharge Battery	Function to disable the battery discharge through the digital input.	Does Not Allow Discharge: Short-circuited / Low Level Allows Discharge Open / High Level

To activate the DRMO input function, take into account that it should only be configured for use with the DRED device, required by standard AS4777 (Australia).

If it is configured without the connection of the external DRED device, the inverter will remain stopped.

To configure the digital inputs, go to *Configuration > Advanced Settings > Digital Output/Input*.

19.7.14. Configuring a schedule for battery discharge

These inverters can be configured to discharge the batteries according to a predefined schedule. During the discharge schedule, the battery can be charged from the photovoltaic panels in order to take maximum advantage of the solar generation. In addition, at times when the batteries are not being used, the system will draw energy from the photovoltaic panels and the rest from the public grid.

To activate the discharge schedule, access *Configuration > Advanced Settings > Self-consumption Settings > Scheduling for Battery discharge* and set the following parameters:

Options	Description
Mode	Allows the battery discharge scheduling to be activated or deactivated.
Hour On	In a hh:mm type scheduling, sets the start hour (hh) for the time frame in which battery charging is permitted.
Minute On	In a hh:mm type scheduling, sets the start minute (mm) for the time frame in which battery charging is permitted.
Hour Off	In a hh:mm type scheduling, sets the end hour (hh) for the time frame in which battery charging is permitted.
Minute Off	In a hh:mm type scheduling, sets the end minute (mm) for the time frame in which battery charging is permitted.

The batteries will discharge until the configured *SOCmin* value is reached.

19.7.15. Configuring modes to provide quality services to the grid

These inverters can help to maintain energy quality at the point of connection or provide support to a grid. The purpose of the voltage response modes is to vary the inverter's output power according to the voltage at its terminals.

The modes for providing quality service to the grid are as follows:

- Pac vs Fac algorithm
- Pac vs Vac algorithm
- Qac vs Vac algorithm

For more information, see the *Description and configuration in the Operating Parameter Guide*, which describes how to set the algorithm parameters and adjust them if necessary. To download the guide, please contact Technical Support.

19.8. Use of the inverter's internal wattmeter or the external wattmeter

These units can be used in different types of installation with different types of loads (critical and non-critical). Depending on the type of loads in the installation, either the inverter's internal wattmeter or an external wattmeter will be used.

The use of the inverter's internal wattmeter only allows the management of loads connected at the unit's critical load output. That is, only the management of critical loads.

The use of an external wattmeter allows the management of both the critical loads connected to the inverter and the non-crit. loads connected to the distribution grid.

INFO

For more information about compatible external wattmeters, see the "List of compatible wattmeters for with INGECON SUN STORAGE 1Play TL M", available on the Ingeteam website. If the wattmeter model is not in the list, contact Ingeteam. In addition, the wattmeters that appear in this list must be configured with a BaudRate of 9600.

Stand-alone installations

In stand-alone installations the unit's internal wattmeter is used. All the loads that are managed are connected to the inverter's critical load output.

UPS installations

In UPS installations the unit's internal wattmeter is used. The loads that are managed are connected to the inverter's critical load output. The non-crit. loads connected to the grid side are not managed by the inverter.

Self consumption installations

In self consumption installations the external wattmeter located at the grid connection point is typically used. This allows the inverter to manage all the existing loads in the installation, both critical and non-critical.

The unit's internal wattmeter may only be used in the event that all the loads are connected at the inverter's critical load output.

19.9. Updating the inverter firmware

The simplest way to update the inverter firmware is through the web application, with an internet connection.

If there is no internet connection, it can also be updated via the web application itself, or from the unit's USB port.

Update via the web application, with internet connection

INFO

To perform this procedure, the inverter must be connected to the internet through a Wi-Fi network or Ethernet.

1. Open the web application from the device's browser (see [“19.5. Connecting to the inverter remotely”](#)).
2. Open the *Update* menu. If there are any updates available they will be listed.
3. Install the update.

Update via the web application, without internet connection

INFO

To perform this procedure, the firmware file ABH1007 must be downloaded from the Ingeteam website.

1. Open the web application from the device's browser (see [“19.3. Connecting to the inverter locally through its Wi-Fi network”](#)).
2. Open the *Update* menu.
3. Select the previously downloaded firmware file.
4. Install the update.

Update via the USB port

CAUTION

This procedure can only be carried out by an authorized installer.

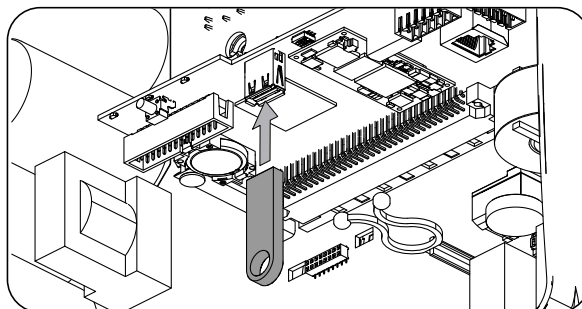
Before starting the firmware update process via the USB port, make sure there is no power in the inverter. Check that the protections for the grid/genset, critical loads, storage system and PV array are open.

Do not power the unit until the cover has been closed.

INFO

To perform this procedure, the firmware file ABH1007 must be downloaded from the Ingeteam website.

1. Switch off the unit as explained in section [“21.1. Process of shutting down the unit”](#).
2. Open the unit's cover.
3. Connect the USB device. The USB device must only contain the downloaded firmware file.



4. Close the unit's cover.
5. Power the unit from the battery bank and/or the PV array.
6. The update will start automatically. The blue LED will flash rapidly during the update process.
7. Once the update has finished (the blue LED has stopped flashing), turn off the unit again by disconnecting all the DC and AC supplies.
8. Open the unit's cover and disconnect the USB device.

- Close the cover and start the unit.

19.10. Restoring the inverter to factory settings

i INFO

Only an authorized installer can perform restore the factory settings.

This factory reset only affects the inverter settings. The Wi-Fi or Ethernet communication settings are not restored when following this process.

If you wish to restore the inverter to factory settings, follow the steps below:

- Open the web application from the device’s browser.
- Access the Configuration menu.
- Press *Restore to factory settings* to restore the inverter to factory settings.

Next, follow the wizard to start up the inverter.

19.11. Inverter power limitation reasons

On occasion the inverter may reduce the AC output power due to different reasons. In the event that the unit is connected to a grid or auxiliary generator and there is a reduction in power, the most restrictive reason for power limitation is shown.

The various reasons for limiting the power are explained below.

Reasons for the power limitation		
Reason	Code sent by communications	Description
Battery Power Limited	9	Batteries. Limitation due to the storage system state of charge or configuration.
Self Consumption	11	Self consumption mode. Limitation due to self consumption mode running.
AC Grid Power Limited	10	Power available Battery charge limitation from the grid/genset due to the power available. This power is calculated with the rated power in the case of the generator, or the contracted power in the case of the grid, minus the power consumed by the charges.
Pac vs Fac Algorithm	4	Grid frequency. Limitation due to the grid frequency variation. Applicable according to selected regulations.
Soft Start	5	Initial connection ramp. Limitation after a grid reconnection. Applicable according to selected regulations.
High Bus Voltage Protection	12	DC bus. Limitation due to high voltage in the internal DC bus.
LVRT or HVRT Process	13	Grid voltage drops. Limitation due to voltage drops in the grid. Applicable according to selected regulations.
Charge Power Configured	6	Configuration. Battery charge limitation from the grid/genset, defined by a user setting.
Grid Consumption Protection	15	Grid consumption. Limitation due to the power consumption from the grid, when working without batteries (only PV array) or when the batteries cannot absorb energy.
PV Surplus Injected to the Grid	16	Photovoltaic excess. Limitation of the injection of photovoltaic excess to the grid by configuration.
Nominal AC Current	14	Apparent power. Limitation due to rated apparent power in the unit.
PV Surplus Injected to the Loads	7	Limitation of the injection of photovoltaic excess to the loads due to the operation of the UPS or stand-alone modes.
Temperature	2, 3	Temperature. Limitation due to high temperature in the unit.
Pac vs Vac Algorithm	8	Grid voltage. Limitation due to the grid voltage variation. Applicable according to selected regulations.
Communication	1	Limitation caused by setpoint sent through communications.

19.12. Automatic battery emergency charge

An emergency charge must be performed when the installation is stopped due to a total battery discharge.

This function allows the batteries to be charged up to a certain level in order to have enough energy to restore the system again.

For the unit to carry out an emergency charge, the batteries must be in one of the following states:

- Low charge level, $SOC \leq SOCdescx$. (Code3 “Low Battery SOC Descx”).
- Low voltage, $Vbat \leq Vmin$. (Code2 “Low Battery Vmin”).
- In Li-Ion batteries, when the BMS requires a forced charge due to the battery being totally discharged.

The inverters can charge the batteries from different energy sources. Depending on the energy source available, this emergency charge will be automatically activated by the inverter.

Available energy source	Description
Photovoltaic input in the INGECON SUN STORAGE 1Play TL M	The inverter detects the PV array and automatically starts charging the batteries. The inverter status will indicate <i>Emergency Charge from PV</i> . The installation will be restored when the batteries reach the configured SOCrecx state of charge (see “19.7.3. Configuring the operation mode and its settings”).
Auxiliary grid/genset	The inverter detects the voltage and frequency in the AC grid input and connects to it automatically. The inverter status will indicate <i>Emergency Charge from Grid</i> . The installation is restored immediately and starts charging the batteries from the AC grid input. Although it is not permitted to charge the batteries from the grid (see “19.7.6. Configuring the battery charge from the distribution grid”), during the emergency charge the inverter will charge the batteries with at least 400 W from the distribution grid.

19.13. Performing an equalization charge of the batteries

For lead-acid batteries with liquid electrolyte the manufacturer recommends performing a periodic equalization charge.

During the equalization charge the inverter equalizes the state of charge of the cells and compensates the electrolyte stratification. This prevents a premature failure of the individual cells and extends the service life of the battery. This process produces gasification, so a proper ventilation of the batteries is necessary.

Before performing a manual equalization charge, consult the battery manufacturer for the charge voltage and duration.

CAUTION

An incorrect configuration of these settings can reduce the battery life. Ingeteam accepts no liability for the consequences that may arise from incorrect configuration of the unit by the user and/or the installer.

To configure the unit's parameters, go to *Configuration > Advanced Settings > Lead-Acid Battery Settings*.

Setting	Description
Equalization Voltage	Equalization charge voltage of the battery bank, specified by the battery manufacturer (V).
Duration of Equalization charge	Duration of the equalization charge of the battery bank, specified by the battery manufacturer (minutes).

The equalization charge must be manually activated via the display. To do this, go to *Configuration > Commands > Start Equalization Charge*.

The equalization charging process will finalize automatically once the set time has passed. If you wish to abort the process before the set time, stop it manually by going to *Configuration > Commands > Stop Equalization Charge*.

19.14. Performing a ventilation test

Occasionally it is necessary to test the proper performance of the unit's external and internal fans. These units have the option of performing a ventilation test.

To run the ventilation test, go to *Maintenance > Fan Test*. The unit's fans will start to turn for approximately 15 seconds. After this time, the test will automatically deactivate. If one or several of the fans do not turn, the result will display in the test:

- Code1 0x0008 "fault in internal fan".
- Code1 0x0010 "fault in external fan".

If all ventilators turn, the test's result is positive.

INFO

The ventilation test only checks the turning of the fans. A positive ventilation test alone does not indicate that the system's ventilation status is correct. To assure proper performance of the ventilation system, also check that there are no elements obstructing air passage and that the fans are properly installed.

19.15. Li-Ion battery calibration

CAUTION

An incorrect configuration of these settings can reduce the battery life. Ingeteam accepts no liability for the consequences that may arise from incorrect configuration of the unit by the user and/or the installer.

Ingeteam recommends performing periodic calibration of lithium-ion batteries.

The purpose is to equalize the state of charge (SOC) of all the cells, preventing a premature failure of individual cells, and extending the service life of the battery.

This process consists of two steps:

1. Full battery charge process. The battery status will display *Calibration - Charging*.
2. Battery discharge process. The battery status will display *Calibration - Discharging*.

During the calibration process, the parameters configured in section "[19.7.3. Configuring the operation mode and its settings](#)" do not apply. In addition, although it is not permitted to charge the batteries from the grid (see "[19.7.6. Configuring the battery charge from the distribution grid](#)"), if required by the calibration, the inverter will charge the batteries with at least 400 W from the distribution grid.

The calibration process will end automatically when the BMS determines that all the cells have the same state of charge (SOC).

The calibration process is activated by default. If you wish to disable the battery calibration, go to *Configuration > Advanced Settings > Other Settings > Lithium-ion Battery Calibration Process*.

19.16. Use of INGECON SUN 1Play in stand-alone systems

For stand-alone systems, it is possible to combine INGECON SUN STORAGE 1Play TL M battery inverters with Ingeteam photovoltaic inverters, such as the INGECON SUN 1Play TL M. To do so, it is necessary to configure the *INGECON_SUN_STORAGE* standard in the photovoltaic inverter. For more information, see the technical guide for installations with INGECON SUN STORAGE 1Play TL M.

19.17. Viewing the photovoltaic curve

INFO

To create the curve, the inverter must be connected to the public grid.

Create the curve with stable irradiance conditions. It is recommended to do this two or three times consecutively to check that the shape of the curve matches, thus confirming that the conditions are stable.

These inverters provide the option of drawing the PV curve at any given time on a graph.

To create the PV curve, access *Maintenance > PV Curve*. Select the MPPT input and start.

The shape of the curve will be determined by external factors such as solar irradiance, shade on the photovoltaic panels caused by external elements, temperature, etc.

Each time a curve is drawn, it will be stored in the curve history.

19.18. Carrying out an Autotest for CEI 0-21

INFO

This menu will only be displayed if the standard selected is *CEI 0-21 SPI Internal*.

The Autotest is a test defined by the *CEI 0-21* standard to check the SPI interno. To carry it out, access *Maintenance > Autotest*.

The test moves the limits closer to the voltage or frequency of the installation with a ramp of 0.05 Vn/s or 0.05 Hz/s respectively, until the SPI is triggered.

The precision of the limits and times of disconnection are measured for each protection, and it is indicated (OK/ NOK) whether they comply with the precision specified by *CEI 0-21* (Voltage: $\pm 1\%$ Vn, Frequency ± 20 mHz, Time: ± 20 ms) with respect to the configured limits.

If the result is correct, the inverter exits the test and reconnects automatically to the grid, returning to normal operation.

However, if any of the protections gives an erroneous result, the inverter will disconnect from the grid showing the *0x0800 Hardware Fault* alarm.

19.19. Detection of ground insulation fault and alarm

This inverter complies with standard *IEC 62109-2* section 13.9 for the monitoring of ground fault alarms.

If a ground fault alarm is triggered, the orange LED will light up and the following fault code will be displayed on the inverter:

Alarm 20 + Code1 0x0004 Insulation fault on the positive or negative terminals of the batteries or PV array.

20. Troubleshooting

INFO

See the Alarm Interpretation and Troubleshooting Guide which describes the alarms and troubleshooting for the installation and operation of the INGECON SUN STORAGE 1Play TL M. To download the guide, go to the INGECON SUN Training website (www.ingeconsuntraining.info).

21. Shutting down the unit

This section describes the procedure to shut down the unit.

CAUTION

If you wish to work inside the unit, you must carry out these instructions in the order shown here to remove the power.

21.1. Process of shutting down the unit

1. Stop the inverter manually using the On/Off button on the control panel or from the web application
2. Remove both the direct voltage (Vdc) and the alternating voltage (Vac) arriving at the unit.
3. Wait 10 minutes for the internal capacitances to discharge, the hot parts which may cause burns to cool and the fan blades to stop turning.
4. Check there is no voltage.
5. Signal cut-off point (Vac and Vdc) with a sign reading "Caution no switching...". If necessary, rope off the work area.

21.2. Disconnecting the wiring in push-in type terminals

INFO

The connection of the critical loads, the consumption grid and the auxiliary grid/genset is performed using push-in type terminals.

Section "[7. Connection/disconnection of wiring in push-in type terminals](#)" describes the process for disconnecting the wiring from this type of terminal.

22. Preventive maintenance

The recommended preventive maintenance tasks must be carried out at least annually, except where otherwise stated.

22.1. Safety conditions



Before opening the unit, you must remove the power (see section <i>"21. Shutting down the unit"</i>).
You must consider the set of conditions listed below as minimum requirements.
An open housing never implies an absence of voltage in the unit, so only qualified personnel may access the unit, following the safe operation guidelines stipulated in this document.
Ingeteam accepts no liability for any damages caused by improper use of the equipment. You must propose in advance to Ingeteam any work carried out on any equipment which implies a modification of the original electrical arrangements. These must be studied and approved by Ingeteam.
All the maintenance checks included here must be carried out with the machine stopped, under safe conditions for handling, including those specified by the client for these types of operation.
When carrying out maintenance work on the unit, you must wear the personal protective equipment specified in section <i>"Personal Protective Equipment (PPE)"</i> of this document.
After completing the maintenance task, replace the front cover and secure it with the bolts supplied.

22.2. Condition of the housing

A visual check of the condition of the housing must be carried out, confirming the condition of the seals and the cover, as well as the fixing of the units to their anchor points, both at the wall and on the transformer if this exists. In addition, you must check the condition of the housing for dents or scratches that might degrade the housing or cause it to lose its protection classification. If these types of defect are noticed, the affected parts must be repaired or replaced.

Check that there is no moisture inside the housing. If moisture exists, dry it before making electrical connections.

Check the correct fixing of the housing components to their corresponding anchoring points.

22.3. Condition of cables and terminals

- Check the correct path of the cables so they do not come into contact with live parts.
- Check the insulation deficiencies and hot spots by checking the color of the insulation and terminals.
- Check that the connections are properly adjusted.

22.4. Cooling system

- Check the status of exhaust fans, cleaning and replacing them if necessary.
- Clean the radiator fins and the cooling grids.

22.5. Environment

Check the environment to avoid amplifying or transmitting the buzzing sound.

23. Waste handling

These units use components that are harmful to the environment (electronic cards, batteries or cells, etc.).



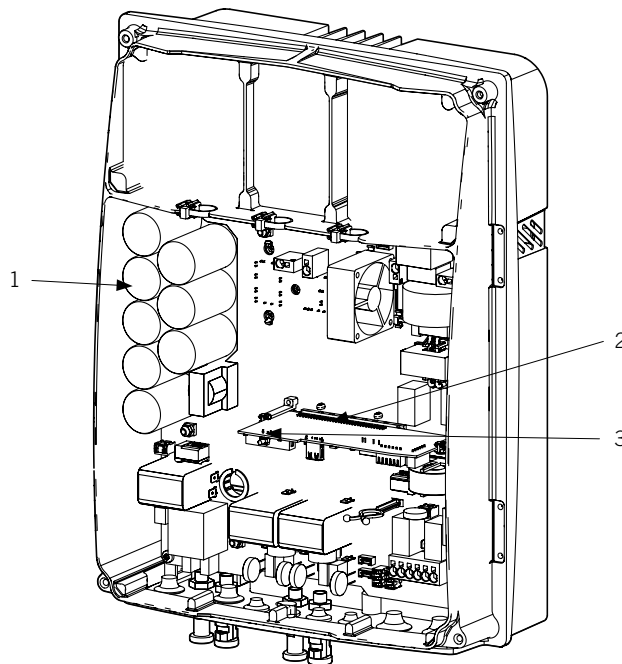
At the end of the unit's life, the waste must be correctly processed by an authorized hazardous waste management company.

Ingeteam in accordance with its policy of respect for the environment, will inform the authorized manager, via this section, of the location of components to be decontaminated.

The elements within the unit that must be handled individually are:

1. Electrolytic condensers or condensers containing PCB
2. Printed circuit board cards.
3. Batteries.

Their location is indicated in the following illustrations.



Installation and Operation Manual

Manual de instalación y uso

Manuel d'installation et usage

Manuel d'installation et usage

Manual de instalação e uso

EN

ES

FR

IT

PT

Condiciones importantes de seguridad

A lo largo de este apartado se detallan los avisos de seguridad así como el Equipo de Protección Individual.

Condiciones de seguridad

Avisos generales

PELIGRO

La apertura de la envolvente no implica la ausencia de tensión en su interior.

Existe peligro de descarga eléctrica incluso después de desconectar la red, el campo fotovoltaico y el sistema de almacenamiento.

Sólo podrá abrirla personal cualificado siguiendo las instrucciones de este manual.

ATENCIÓN

Las operaciones detalladas en el manual sólo pueden ser realizadas por personal cualificado.

La condición de personal cualificado a la que se refiere este manual, será como mínimo aquella que satisfaga todas las normas, reglamentos y leyes en materia de seguridad aplicables a los trabajos de instalación y operación de este equipo.

La responsabilidad de designar al personal cualificado siempre recaerá sobre la empresa a la que pertenezca este personal, debiendo decidir qué trabajador es apto o no para realizar uno u otro trabajo para preservar su seguridad a la vez que se cumple la legislación de seguridad en el trabajo.

Dichas empresas son responsables de proporcionar una adecuada formación en equipos eléctricos a su personal, y a familiarizarlo con el contenido de este manual.

Se recuerda que es obligatorio cumplir toda la legislación aplicable en materia de seguridad para el trabajo eléctrico. Existe peligro de descarga eléctrica.

El cumplimiento de las instrucciones de seguridad expuestas en este manual o de la legislación sugerida no exime del cumplimiento de otras normas específicas de la instalación, el lugar, el país u otras circunstancias que afecten al inversor.

El conjunto de condiciones que se detallan a lo largo de este documento deben considerarse como mínimas. Siempre es preferible cortar la alimentación general. Pueden existir defectos en la instalación que produzcan retornos de tensión no deseados. Existe peligro de descarga eléctrica.

Según normativa básica de seguridad, todo el equipo deberá ser adecuado para proteger a los trabajadores expuestos contra el riesgo de contactos directos e indirectos. En cualquier caso las partes eléctricas de los equipos de trabajo deberán ajustarse a lo dispuesto en la normativa específica correspondiente.

Según normativa básica de seguridad, la instalación eléctrica no deberá entrañar riesgo de incendio o explosión. Los trabajadores deberán estar debidamente protegidos contra los riesgos de accidente causados por contactos directos o indirectos. La instalación eléctrica y los dispositivos de protección deberán tener en cuenta la tensión, los factores externos condicionantes y la competencia de las personas que tengan acceso a partes de la instalación.

Es obligatorio para comprobar ausencia de tensión utilizar elementos de medida de clase III-1000 Voltios.

El espacio reservado para la instalación del sistema de almacenamiento debe estar correctamente ventilado.

El sistema de almacenamiento se instalará de forma que posibles cortocircuitos accidentales sean evitables.

INFO

Estas instrucciones deben estar bien accesibles cerca del equipo y situadas al alcance de todos los usuarios.

Antes de la instalación y puesta en marcha, por favor, leer atentamente estas instrucciones de seguridad y avisos así como todos los signos de advertencia colocados en el equipo. Asegurarse de que todos los signos de advertencia permanecen perfectamente legibles y que los dañados o desaparecidos son restituidos.

La protección contra contactos directos se realiza mediante la envolvente.

i INFO

El equipo ha sido ensayado según normativa aplicable para cumplir los requisitos de seguridad, los valores de las distancias de aislamiento y líneas de fuga para las tensiones de utilización.

Peligros potenciales para las personas**⚠ PELIGRO**

Choque eléctrico.

El equipo puede permanecer cargado después de desconectar el campo fotovoltaico, la alimentación de red y el sistema de almacenamiento.

Seguir cuidadosamente los pasos para quitar tensión obligados en el manual.

Explosión.

Existe un riesgo muy improbable de explosión en casos muy específicos de mal funcionamiento.

La carcasa protegerá de la explosión a personas y bienes únicamente si está correctamente cerrada.

Aplastamiento y lesiones articulares.

Seguir siempre las indicaciones del manual para mover y emplazar el equipo.

El peso de este equipo puede producir lesiones, heridas graves e incluso la muerte si no se manipula correctamente.

Alta temperatura.

El caudal de aire de salida puede alcanzar temperaturas altas que dañen a las personas expuestas.

Peligros potenciales para el equipo**⚠ PELIGRO**

Refrigeración.

El equipo necesita un flujo de aire libre de partículas mientras está funcionando.

Mantener la posición vertical y las entradas sin obstáculos es imprescindible para que este flujo de aire llegue al interior del equipo.

No tocar tarjetas ni componentes electrónicos. Los componentes más sensibles pueden dañarse o destruirse por la electricidad estática.

No desconectar o conectar ningún terminal mientras el equipo está funcionando. Desconectar y comprobar la ausencia de tensión antes.

Con el fin de evitar el desgaste prematuro de las uniones atornilladas de la envolvente del equipo es necesario que las tareas de retirar e instalar los tornillos se realicen mediante herramienta manual.

Equipo de Protección Individual (EPI)

Siempre que se trabaje en el equipo usar, como mínimo, el siguiente equipamiento de seguridad recomendado por Ingeteam.

Denominación	Explicación
Calzado de seguridad	Conforme a la norma <i>UNE-EN-ISO 20345:2012</i>
Casco	Conforme a la norma <i>EN 397:2012 + A1:2012</i>
Casco con pantalla facial	Conforme a la norma <i>UNE-EN 166:2002</i> , siempre que existan elementos con tensión directamente accesibles
Gafas de seguridad	Conforme a la norma <i>UNE-EN 166:2002</i>
Ropa de trabajo	Ceñida al cuerpo, no inflamable, 100% de algodón
Guantes dieléctricos	Conforme a la norma <i>EN 60903:2005</i>

Las herramientas y/o equipos empleados en trabajos en tensión deben poseer, al menos, aislamiento de categoría III-1000 Voltios.

En caso de que normativas propias del lugar exijan otro tipo de equipo de protección individual, el equipo recomendado por Ingeteam se deberá completar adecuadamente.

Contenidos

Condiciones importantes de seguridad	70
Condiciones de seguridad.....	70
Equipo de Protección Individual (EPI)	72
Contenidos	73
1. Información sobre este manual	76
1.1. Campo de aplicación y nomenclatura.....	76
1.2. Destinatarios	76
1.3. Avisos.....	76
2. Descripción del equipo	77
2.1. Esquema eléctrico del sistema	78
2.2. Requerimientos EMC.....	78
2.3. Contaminación acústica.....	78
2.4. Tabla de características	79
2.5. Descripción de accesos de cableado	80
3. Recepción del equipo y almacenamiento	81
3.1. Recepción.....	81
3.2. Identificación del equipo	81
3.3. Daños en el transporte.....	81
3.4. Almacenamiento.....	81
3.5. Conservación	81
4. Transporte del equipo	82
4.1. Transporte	82
4.2. Desembalaje.....	82
5. Preparación para la instalación del equipo.....	83
5.1. Entorno.....	83
5.2. Condiciones medioambientales	84
5.3. Superficie de apoyo y anclaje.....	84
5.4. Protección de la conexión de las cargas críticas.....	84
5.5. Protección de la conexión a la red/generador auxiliar	85
5.6. Protección de la conexión del sistema de almacenamiento.....	85
5.7. Tipo de red.....	85
5.8. Longitud del cableado de baterías	86
5.9. Longitud del cableado de la red/generador auxiliar	86
5.10. Paneles fotovoltaicos.....	86
6. Instalación del equipo	87
6.1. Requerimientos generales de instalación.....	87
6.2. Fijación del equipo en pared	87
6.3. Apertura de la envolvente	88
7. Conexión/desconexión del cableado en bornas tipo push-in	89
8. Conexión del sistema de almacenamiento.....	91
8.1. Indicaciones de seguridad para la conexión del sistema de almacenamiento.....	91
8.2. Requisitos del cableado para la conexión del sistema de almacenamiento	91
8.3. Proceso de conexión del sistema de almacenamiento	92
9. Conexión del Kit opcional del sensor de temperatura PT-100 para baterías de plomo-ácido	93
9.1. Indicaciones de seguridad para la conexión del Kit opcional del sensor de temperatura PT-100 para baterías de plomo-ácido	93
9.2. Requisitos del cableado para la conexión del Kit opcional del sensor de temperatura PT-100 para baterías de plomo-ácido	93
9.3. Proceso de conexión del Kit opcional del sensor de temperatura PT-100 para baterías de plomo-ácido.	93
10. Conexión de las cargas críticas.....	97
10.1. Indicaciones de seguridad para la conexión de las cargas críticas	97
10.2. Requisitos del cableado para la conexión de las cargas críticas	97
10.3. Proceso de conexión de las cargas críticas.....	98

EN
ES
 FR
 IT
 PT

11. Conexión de la red/generador auxiliar	99
11.1. Indicaciones de seguridad para la conexión de la red/generador auxiliar	99
11.2. Requisitos del cableado para la conexión de la red/generador auxiliar	99
11.3. Proceso de conexión de la red/generador auxiliar	100
12. Conexión del campo fotovoltaico.....	102
12.1. Indicaciones de seguridad para la conexión del campo fotovoltaico	102
12.2. Requisitos del cableado para la conexión del campo fotovoltaico	102
12.3. Proceso de conexión del campo fotovoltaico	102
13. Conexión de la comunicación RS-485 para el vatímetro externo	104
13.1. Indicaciones de seguridad para la conexión de la comunicación RS-485 para el vatímetro externo ..	104
13.2. Requisitos del cableado para la conexión de la comunicación RS-485 para el vatímetro externo.....	104
13.3. Proceso de conexión de la comunicación RS-485 para el vatímetro externo.....	105
14. Conexión de la comunicación CAN para baterías de ion-litio.....	106
14.1. Indicaciones de seguridad para la conexión de la comunicación CAN para baterías de ion-litio.....	106
14.2. Requisitos del cableado para la conexión de la comunicación CAN para baterías de ion-litio	106
14.3. Proceso de conexión de la comunicación CAN para baterías de ion-litio	107
15. Conexión de las salidas digitales.....	108
15.1. Indicaciones de seguridad para la conexión de las salidas digitales.....	108
15.2. Requisitos del cableado para la conexión de las salidas digitales	108
15.3. Proceso de conexión de las salidas digitales	108
16. Conexión de las entradas digitales	110
16.1. Indicaciones de seguridad para la conexión de la entrada digital	110
16.2. Requisitos del cableado para la conexión de la entrada digital.....	110
16.3. Proceso de conexión de las entradas digitales.....	110
17. Conexión de Ethernet TCP	112
17.1. Indicaciones de seguridad para la conexión de Ethernet TCP.....	112
17.2. Proceso de conexión de Ethernet TCP	112
18. Puesta en servicio.....	113
18.1. Revisión del equipo.....	113
18.1.1. Inspección	113
18.1.2. Cierre hermético del equipo.....	113
18.2. Puesta en marcha	113
18.2.1. Primera configuración del equipo	114
19. Manejo del equipo	115
19.1. Panel de control	115
19.2. Gestión del inversor a través de la aplicación web	115
19.3. Conectar con el inversor de forma local a través de su red Wi-Fi	116
19.4. Conectar el inversor a una red Wi-Fi.....	116
19.5. Conectar con el inversor de forma remota.....	116
19.6. Monitorización del inversor	117
19.6.1. Monitorización por Modbus-TCP.....	117
19.7. Configuración del inversor.....	117
19.7.1. Configurar el tipo de batería.....	118
19.7.2. Configurar el inversor para trabajar únicamente con campo fotovoltaico, sin baterías.....	119
19.7.3. Configurar el modo de operación y sus parámetros	119
19.7.4. Configurar la normativa en instalaciones de conexión a red	120
19.7.5. Configurar el sistema de puesta a tierra TT/TN.....	121
19.7.6. Configurar la carga de baterías desde la red de distribución	121
19.7.7. Configurar la potencia máxima de inyección de excedente fotovoltaico a la red de distribución	122
19.7.8. Configurar la función Battery-Backup en instalaciones de autoconsumo	122
19.7.9. Configurar el generador auxiliar en instalaciones aisladas.....	123
19.7.10. Configurar la carga baterías desde el generador.....	123
19.7.11. Configurar la protección de sobrecarga y cortocircuito en la salida de cargas críticas	124
19.7.12. Configurar las salidas digitales	124
19.7.13. Configurar las entradas digitales.....	124
19.7.14. Configurar un horario para la descarga de baterías	125
19.7.15. Configurar modos de dar servicios de calidad a la red.....	125
19.8. Uso del vatímetro interno del inversor o del vatímetro externo	125

19.9. Actualizar el firmware del inversor	126
19.10. Restaurar los valores de fábrica de la configuración del inversor	127
19.11. Motivos de limitación de potencia del inversor	127
19.12. Carga automática de emergencia de la batería	128
19.13. Realizar una carga de ecualización a las baterías	129
19.14. Realizar un test de ventilación	129
19.15. Calibrar las baterías de ion-litio	130
19.16. Uso de INGECON SUN 1Play en sistemas aislados.....	130
19.17. Visualizar la curva fotovoltaica	130
19.18. Realizar un Autotest para CEI 0-21	130
19.19. Detección de fallo de aislamiento a tierra y alarma.....	131
20. Solución de problemas	132
21. Desconexión del equipo	133
21.1. Proceso de desconexión del equipo.....	133
21.2. Desconexión del cableado en bornas tipo push-in.....	133
22. Mantenimiento preventivo.....	134
22.1. Condiciones de seguridad	134
22.2. Estado de la envolvente	134
22.3. Estado de los cables y terminales	134
22.4. Sistema de refrigeración	134
22.5. Entorno.....	134
23. Tratamiento de residuos.....	135

1. Información sobre este manual

El propósito de este manual es describir los equipos INGECON SUN STORAGE 1Play TL M y dar la información adecuada para su correcta recepción, instalación, puesta en marcha, mantenimiento y operación.

1.1. Campo de aplicación y nomenclatura

Este manual es válido para los siguientes equipos:

Nombre completo	Abreviatura
INGECON SUN STORAGE 1Play 3TL M	1Play 3TL M
INGECON SUN STORAGE 1Play 4.5TL M	1Play 4.5TL M
INGECON SUN STORAGE 1Play 6TL M	1Play 6TL M

En este documento se nombrará a los diferentes modelos tanto por su nombre completo como por su abreviatura. Asimismo, se referirá de manera genérica a cualquiera de los modelos de la familia de INGECON SUN STORAGE 1Play TL M con los términos *equipo* o *inversor*.

1.2. Destinatarios




El presente documento está orientado a personal cualificado.

La condición de personal cualificado a la que se refiere este manual, será como mínimo aquella que satisfaga todas las normas, reglamentos y leyes en materia de seguridad aplicables a los trabajos de instalación y operación de este equipo.

Ingeteam recomienda que la instalación de este equipo sea realizada por un instalador profesional.

1.3. Avisos

A lo largo de este manual se incluyen avisos para enmarcar información que desea ser resaltada. En función de la naturaleza del texto contenido existen tres tipos de avisos:

 PELIGRO	Indica riesgos para la integridad del personal o del inversor.
 ATENCIÓN	Indicación de carácter importante.
 INFO	Información adicional o referencias a otras partes del documento o a otros documentos.

2. Descripción del equipo

El inversor híbrido INGECON SUN STORAGE1Play TL M permite combinar la generación fotovoltaica y el almacenamiento de energía, sin necesidad de añadir inversores fotovoltaicos adicionales.

Este inversor cuenta con un doble sistema de seguimiento del punto de máxima potencia (*MPPT*), que le permite extraer la máxima potencia del campo fotovoltaico, incluso en instalaciones sobre tejados con varias orientaciones o con sombreados parciales.

Gracias al *Energy Managment System (EMS)* que incorpora, la instalación se puede monitorizar en todo momento vía PC o vía móvil con la aplicación gratuita INGECON SUN Monitor.

Además, es capaz de trabajar en modo aislado o conectado a la red de distribución en los siguientes tipos de instalaciones.

Instalaciones aisladas

Sistema desconectado de la red de distribución cuya finalidad es proporcionar energía alterna a un conjunto de consumos.

En este tipo de instalaciones es posible instalar un generador auxiliar, que puede ser arrancado a través de una salida libre de potencial para cargar las baterías.

Instalaciones UPS

Sistema interconectado con la red de distribución cuyo principal objetivo es ser utilizado como respaldo en caso de caída de red. En este caso la instalación actúa como una UPS tipo Off-line.

Instalaciones de autoconsumo

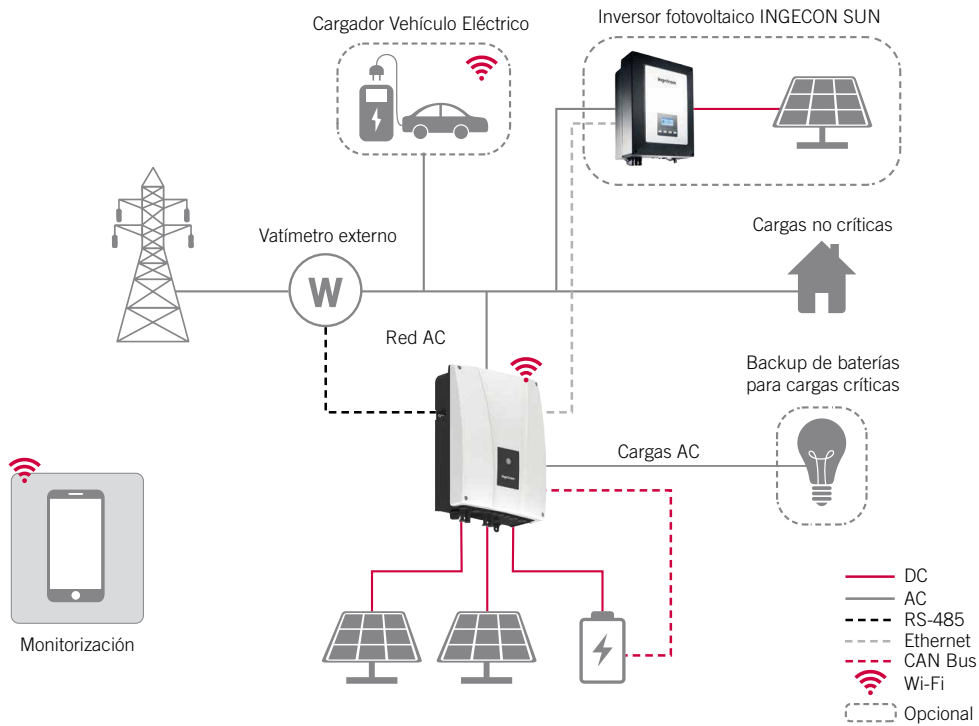
Sistema interconectado a la red de distribución que busca minimizar el consumo desde la red y aumentar el autoabastecimiento.

Si la producción de energía es mayor que la demanda, el excedente se puede usar para cargar las baterías y para inyectar en la red. Además cuenta con la funcionalidad *Battery-Backup* para que, en caso de una caída de red, el inversor alimente a las cargas críticas desde las baterías y los paneles fotovoltaicos.

INFO

Para ampliar información sobre este tipo de instalaciones consultar la "Guía técnica para instalaciones con INGECON SUN STORAGE 1Play TL M", disponible en la web de Ingeteam.

2.1. Esquema eléctrico del sistema



INFO

Este esquema representa una instalación tipo de autoconsumo. Para ampliar información sobre distintos tipos de instalaciones consultar la “Guía técnica para instalaciones con INGECON SUN STORAGE 1Play TL M”, disponible en la web de Ingeteam.

2.2. Requerimientos EMC

Los equipos INGECON SUN STORAGE 1Play TL M están equipados con los elementos de filtro necesarios para el cumplimiento de los requerimientos de EMC para aplicaciones domésticas con el fin de evitar perturbaciones en otros equipos exteriores a la instalación.

2.3. Contaminación acústica

El funcionamiento de este equipo genera un ligero zumbido.

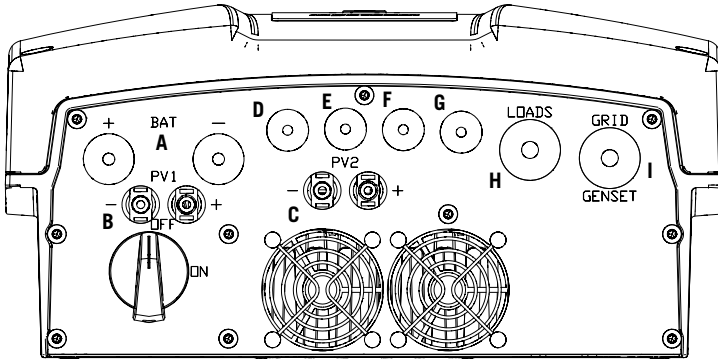
No ubicarlo sobre soportes ligeros que puedan amplificar ese zumbido. La superficie de montaje debe ser firme y adecuada al peso del equipo.

2.4. Tabla de características

	3TL M	4.5TL M	6TL M
Entrada sistema de almacenamiento (DC)			
Rango de tensión ⁽¹⁾	40 ~ 460 V		
Corriente máxima de carga/descarga	66 A		
Tipo de baterías	Plomo-ácido, ion-litio (LG, BYD, Pylontech...) ⁽²⁾		
Comunicación con baterías de ion-litio	CAN Bus 2.0		
Entrada campo fotovoltaico (DC)			
Potencia máxima campo FV	11,5 kWp		
Rango de tensión MPP	80 ~ 480 V		
Rango de tensión de operación	80 ~ 540 V		
Tensión máxima de entrada ⁽³⁾	550 V		
Corriente máxima de entrada (entrada 1 / entrada 2) ⁽⁴⁾	13,5 A / 13,5 A		
Número de MPPT	2		
Número de entradas (entrada 1 / entrada 2)	1 / 1		
Entrada red/generador auxiliar (AC)			
Tensión nominal	230 V		
Rango de tensión	172 ~ 264 V		
Frecuencia nominal	50 / 60 Hz		
Rango de frecuencia	40 ~ 70 Hz		
Tipo de red	TT / TN		
Potencia nominal	3 kW	4,5 kW	6 kW
Máx. temperatura para potencia nominal	40 °C		
Corriente máxima	13 Arms	20 Arms	26 Arms
Factor de potencia	-0,8 ~ 1 ~ 0,8		
Salida de cargas críticas (AC)			
Potencia (25 °C) 30 min, 2 min, 3 s ⁽⁵⁾	6.400 / 6.900 / 7.900 W		
Corriente máxima	13 Arms	20 Arms	26 Arms
Tensión nominal ⁽⁶⁾	220 ~ 240 V		
Frecuencia nominal ⁽⁶⁾	50 / 60 Hz		
Factor de potencia	-0,8 ~ 1 ~ 0,8		
Tiempo de respuesta de la función Back-up	12 ms		
Prestaciones			
Eficiencia máxima	95,5 %	96 %	96 %
Euroeficiencia	95,1 %	95,2 %	95,2 %
Datos generales			
Sistema de refrigeración	Ventilación forzada		
Caudal de aire	45 m³/h		
Peso	26 kg		
Medidas (alto x ancho x fondo)	470 x 360 x 180 mm		
Consumo en stand-by	< 10 W		
Temperatura de funcionamiento	-20 ~ +65 °C		
Humedad relativa (sin condensación)	4 ~ 100 %		
Grado de protección	IP65		
Altitud máxima	2.000 m		
Categoría de sobretensión	Categoría III (AC) / Categoría II (DC)		
Marcado	CE		
Normativa EMC y de seguridad	EN 61000-6-1, EN 61000-6-2, EN 61000-6-3, EN 61000-6-4, EN 61000-3-11, EN 61000-3-12, EN 62109-1, EN62109-2, AS62040.1, FCC PART 15		
Normativa de conexión a red de distribución	DIN V VDE V 0126-1-1, EN 50438, CEI 0-21, VDE-AR-N4105:2011-08, G59/3, G83/2, AS4777.2:2015, IEC 62116, IEC 61727, UNE 206007-1:2013, UNE 206006:2011, UNE 217001 IN:2015, NRS097-2-1, ABNT NBR 16149, ABNT NBR 16150, South African Grid code, P.O.12.2, G99, EN 50549-1		

⁽¹⁾ La máxima potencia suministrada por la batería será la tensión de baterías multiplicada por la máxima corriente de descarga. ⁽²⁾ Consulte el sitio web de Ingeteam para obtener una lista de baterías compatibles. ⁽³⁾ No superar en ningún caso. Considerar el aumento de tensión de los paneles 'Voc' a bajas temperaturas. ⁽⁴⁾ Para entradas PV conectadas en paralelo, la corriente máxima total sería de 27 A. ⁽⁵⁾ En modo stand-alone, estas potencias están disponibles solamente si la potencia de baterías sumada a la potencia fotovoltaica alcanza estos valores. ⁽⁶⁾ Tensión y frecuencia configurables.

2.5. Descripción de accesos de cableado



- A. Sistema de almacenamiento.
Pasacables M20
- B. Campo fotovoltaico 1.
Conectores rápidos PV MC4
- C. Campo fotovoltaico 2.
Conectores rápidos PV MC4
- D. Entradas y salidas digitales.
Pasacables M16
- E. Comunicación RS-485 para
vatímetro externo.
Pasacables M16
- F. Comunicación CAN para baterías de
ion-litio con BMS o Kit de sensor
de temperatura para baterías de
plomo-ácido.
Pasacables M16
- G. Ethernet.
Pasacables M16
- H. Cargas críticas.
Pasacables M25
- I. Red/generador auxiliar.
Pasacables M25

Medida del pasacables	Rango de diámetros admitido
M16	5 mm ~ 9 mm
M20	8 mm ~ 13 mm
M25	11 mm ~ 17 mm

3. Recepción del equipo y almacenamiento

3.1. Recepción

Mantener el embalaje colocado hasta inmediatamente antes de su instalación. Mantener en todo momento el equipo en **posición horizontal**.

3.2. Identificación del equipo

El número de serie del equipo lo identifica de forma inequívoca. En cualquier comunicación con Ingeteam se debe hacer referencia a este número.

El número de serie del equipo también viene reflejado en la placa de características.

3.3. Daños en el transporte

Si durante el transporte el equipo ha sufrido daños actuar en el siguiente orden:

1. No proceder a la instalación.
2. Notificar este hecho inmediatamente al distribuidor dentro de los 5 días posteriores a la recepción del equipo.

Si finalmente fuese necesario devolver el equipo al fabricante, se deberá usar el mismo embalaje en el que se recibió.

3.4. Almacenamiento

ATENCIÓN

El incumplimiento de las instrucciones dadas en esta sección puede causar daños en el equipo.

Ingeteam no asume ninguna responsabilidad por daños derivados del incumplimiento de estas instrucciones.

Si el equipo no es instalado inmediatamente después de su recepción, se deberán tener en cuenta los siguientes puntos con el fin de evitar su deterioro:

- El paquete debe ser almacenado en posición horizontal.
- Mantener el equipo libre de suciedad (polvo, virutas, grasa, etc.), así como de roedores.
- Evitar que reciba proyecciones de agua, chispas de soldaduras, etc.
- Cubrir el equipo con un material protector transpirable con el fin de evitar condensación debida a la humedad ambiental.
- Los equipos almacenados no deberán estar sometidos a condiciones climáticas diferentes a las indicadas en el apartado [“2.4. Tabla de características”](#).
- Es muy importante proteger el equipo frente a productos químicos que puedan producir corrosión, así como de ambientes salinos.
- No almacenar el equipo a la intemperie.

3.5. Conservación

Con el fin de permitir una correcta conservación de los equipos, no debe retirarse el embalaje original hasta el mismo momento de su instalación.

Se recomienda, en caso de almacenamiento prolongado, que este se realice en lugares secos, evitando, en lo posible, cambios bruscos de temperatura.

El deterioro del embalaje (cortes, agujeros, etc.) hace que los equipos no se mantengan en óptimas condiciones antes de su instalación. Ingeteam no se hace responsable en caso de incumplirse esta condición.

4. Transporte del equipo

Se deberá proteger el equipo durante su transporte de golpes mecánicos, vibraciones, proyecciones de agua (lluvia) y cualquier otro producto o situación que pueda dañar o alterar su comportamiento. La no observancia de estas instrucciones puede causar la pérdida de la garantía en el producto, de la cual Ingeteam no es responsable.

4.1. Transporte

Transporte mediante transpaleta

Se deberán observar al menos las siguientes prescripciones:

1. Depositar los equipos embalados centrados respecto a las uñas.
2. Procurar colocarlos lo más cerca de la unión de las uñas con el tirador.
3. En cualquier caso, respetar el manual de utilización de la transpaleta.

Transporte mediante carretilla elevadora

Se deberán observar al menos las siguientes prescripciones:

1. Depositar los equipos embalados centrados respecto a las uñas.
2. Procurar colocarlos lo más cerca de la unión de las uñas con el tirador.
3. Asegurarse que las pinzas están perfectamente niveladas para evitar posibles vuelcos del equipo.
4. En cualquier caso, respetar el manual de utilización de la carretilla.

Una vez que el equipo se ha transportado al lugar donde se va a ubicar, y sólo cuando se vaya a instalar, se desembalará el equipo.

En ese momento se puede transportar verticalmente una distancia corta sin el embalaje. Se deberán seguir las pautas indicadas en el siguiente apartado.

Transporte del equipo con el equipo desembalado

Se deberán observar al menos las siguientes prescripciones:

1. Utilizar los huecos laterales para asir el equipo con ambas manos.
2. Seguir los consejos ergonómicos necesarios para levantar pesos.
3. No soltar el equipo hasta que esté perfectamente fijado o depositado.
4. Pedir que otra persona guíe los movimientos a realizar.

4.2. Desembalaje

Es de vital importancia la correcta manipulación de los equipos con el fin de:

- No deteriorar el embalaje que permite mantener estos en óptimas condiciones desde su expedición hasta el momento de ser instalados.
- Evitar golpes y/o caídas de los equipos que pudieran deteriorar las características mecánicas de los mismos; por ejemplo, cierre incorrecto de puertas, pérdida de grado de protección, etc.
- Evitar, en la medida de lo posible, las vibraciones que puedan provocar un mal funcionamiento posterior.

En caso de observar alguna anomalía se deberá contactar inmediatamente con Ingeteam.

Segregación del embalaje

Todo el embalaje se puede entregar a un gestor autorizado de residuos no peligrosos.

En cualquier caso, el destino de cada parte del embalaje será:

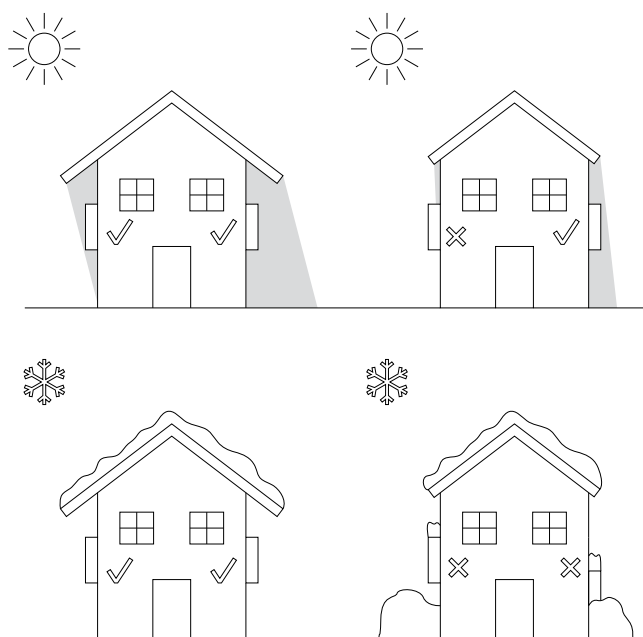
- Plástico (poliestireno, bolsa y papel burbuja): contenedor correspondiente.
- Cartón: contenedor correspondiente.

5. Preparación para la instalación del equipo

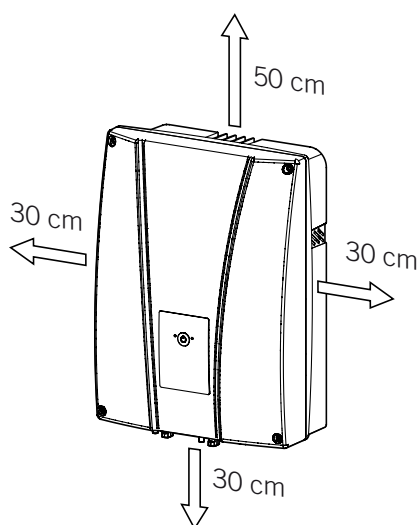
A la hora de decidir la ubicación del equipo y planificar su instalación, se deberán seguir una serie de pautas derivadas de las características del mismo. En este capítulo se resumen estas pautas y se detallan elementos externos al equipo necesarios para su correcto funcionamiento.

5.1. Entorno

- Estos equipos pueden instalarse en interiores y exteriores.
- Colocar los equipos en un lugar accesible a los trabajos de instalación y mantenimiento, y que permita la visión de los LED indicadores frontales.
- Evitar ambientes corrosivos que puedan afectar al correcto funcionamiento del inversor.
- Queda terminantemente prohibido dejar cualquier objeto sobre el equipo.
- Los inversores no deben exponerse a la irradiación solar directa.



- Mantener libre de obstáculos las siguientes distancias:



5.2. Condiciones medioambientales

Se deberán tener en cuenta las condiciones ambientales de operación del equipo indicadas en la tabla de características para elegir su ubicación.

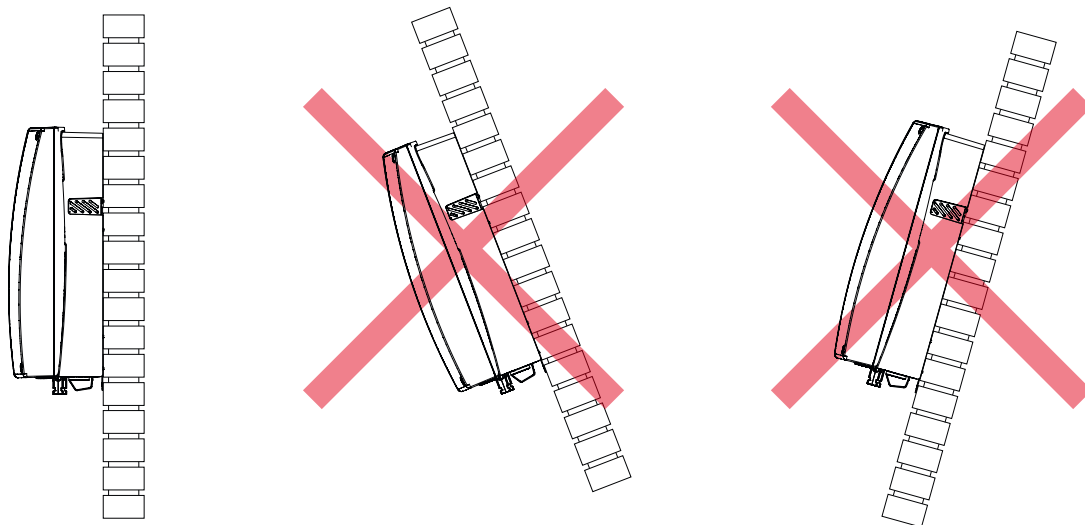
El aire del entorno debe estar limpio y la humedad relativa, a más de 40 °C, debe estar en el rango entre el 4% y el 50%. Mayores porcentajes de humedad relativa hasta el 95% son tolerables a temperaturas por debajo de 30 °C.

Conviene tener en cuenta que, ocasionalmente, podría producirse una condensación moderada como consecuencia de las variaciones de temperatura. Por esta razón, y al margen de la propia protección del equipo, se hace necesaria una vigilancia de estos equipos, una vez puestos en marcha en aquellos emplazamientos en los que se sospeche no vayan a darse las condiciones anteriormente descritas.

Con condensación, no aplicar nunca tensión al equipo.

5.3. Superficie de apoyo y anclaje

Para garantizar una buena evacuación del calor y favorecer la estanqueidad, los equipos deben colgarse sobre una pared perfectamente vertical, o en su defecto con una ligera inclinación máxima de +80° ó -80°.



Se deberá reservar una pared sólida para amarrar el equipo. La pared deberá poderse taladrar e incorporar tacos y tirafondos aptos para soportar el peso del equipo.

5.4. Protección de la conexión de las cargas críticas

Interruptor magnetotérmico

Es necesaria la instalación de un interruptor magnetotérmico en la salida de cargas críticas.

La siguiente tabla aporta los datos necesarios para la selección de dicho dispositivo por el instalador.

INGECON SUN STORAGE 1Play TL M	Corriente máxima	Corriente nominal del magnetotérmico
3TL M	13 Arms	20 Arms
4.5TL M	20 Arms	32 Arms
6TL M	26 Arms	32 Arms

Se debe tener en cuenta al elegir la protección, que la temperatura ambiente de trabajo influye en la corriente máxima admitida por dichas protecciones según indique el fabricante.

Es necesario instalar una protección diferencial en la línea de cargas críticas de acuerdo a la normativa actual del país donde se llevará a cabo la instalación.

5.5. Protección de la conexión a la red/generador auxiliar

Interruptor magnetotérmico

Es necesaria la instalación de un interruptor magnetotérmico en la conexión del inversor a la red/generador auxiliar. La siguiente tabla aporta los datos necesarios para la selección de dicho dispositivo por el instalador.

INGECON SUN STORAGE 1Play TL M	Corriente máxima	Corriente nominal del magnetotérmico
3TL M	13 Arms	20 Arms
4.5TL M	20 Arms	32 Arms
6TL M	26 Arms	32 Arms

A la hora de seleccionar la protección de una instalación se deberá tener en cuenta que el poder de corte de la misma debe ser superior a la corriente de cortocircuito del punto de conexión a red.

También se debe tener en cuenta que la temperatura de trabajo influye en la corriente máxima admitida por dichas protecciones, según indicaciones del fabricante.

Interruptor diferencial

Es necesario instalar una protección diferencial de acuerdo a la normativa actual del país donde se llevará a cabo la instalación, entre el inversor y la red eléctrica.

5.6. Protección de la conexión del sistema de almacenamiento

⚠ ATENCIÓN

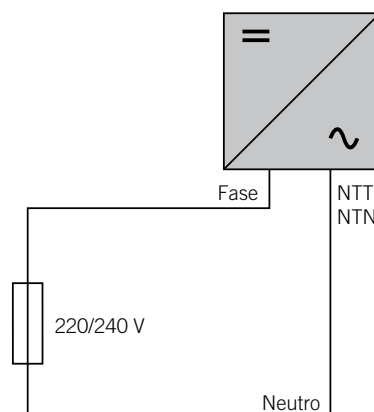
Estos inversores no admiten el aterramiento de las baterías. Por lo que, los terminales del banco de baterías deben estar aislados de la tierra. De lo contrario el inversor dará un fallo de aislamiento.

Es obligatorio instalar un interruptor de corriente continua entre el inversor y el banco de baterías. Debe estar dimensionado para abrir el banco de baterías instalado teniendo en cuenta la máxima corriente de carga y descarga.

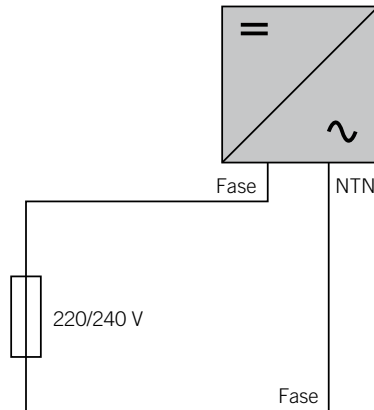
5.7. Tipo de red

Estos inversores pueden conectarse a redes monofásicas o bifásicas que tengan las siguientes características. No son compatibles con redes *Split-phase*.

Red monofásica 220/240 Vac (L-N-PE)



Red bifásica 220/240 Vac (L-L-PE)



5.8. Longitud del cableado de baterías

El inversor mide la tensión de la batería en sus bornes de conexión. Por esta razón el instalador deberá emplear un cable DC con una impedancia suficientemente baja para el proceso de carga/descarga de la batería no provoque la desconexión del equipo por tensión de batería alta o baja (ver apartado [“8.2. Requisitos del cableado para la conexión del sistema de almacenamiento”](#)).

5.9. Longitud del cableado de la red/generador auxiliar

El inversor mide la tensión de red/generador en sus bornes de conexión. Por esta razón el instalador deberá emplear un cable AC con una impedancia suficientemente baja para que la absorción/inyección de corriente no provoque la desconexión del equipo por tensión de red baja o alta (ver apartado [“11.2. Requisitos del cableado para la conexión de la red/generador auxiliar”](#)).

5.10. Paneles fotovoltaicos

Los paneles fotovoltaicos de la instalación deben ser de clase A (*IEC 61730*). Estos equipos no admiten el aterramiento de los paneles fotovoltaicos, por lo que el polo positivo y el polo negativo del campo fotovoltaico no se han de conectar a tierra. De lo contrario el inversor dará un fallo de aislamiento.

Sin embargo, la estructura metálica en la que se sujetan los paneles fotovoltaicos y/o el marco metálico del panel sí que pueden estar conectados a tierra.

6. Instalación del equipo

⚠ ATENCIÓN

Todas las operaciones de instalación deben mantener observancia con el reglamento vigente.

Todas las operaciones que impliquen movimiento de pesos elevados se deberán llevar a cabo entre dos personas.

Antes de proceder a la instalación del equipo, deberá retirarse el embalaje teniendo especial cuidado de que no se dañe la envolvente.

Deberá cerciorarse de la inexistencia de condensación en el interior del embalaje. Si existieran signos de condensación, no se deberá instalar el equipo hasta asegurarse que está completamente seco.

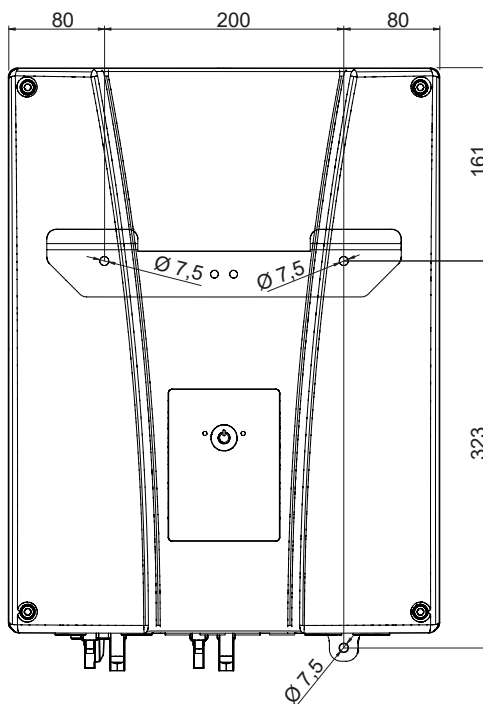
6.1. Requerimientos generales de instalación

- El entorno del equipo deberá ser el adecuado, satisfaciendo las pautas descritas en el capítulo “5. Preparación para la instalación del equipo”. Además, los elementos empleados en el resto de la instalación deberán ser compatibles con el equipo y con el cumplimiento de la legislación aplicable.
- La ventilación y el espacio de trabajo deberán ser los adecuados para las labores de mantenimiento según reglamento aplicable vigente.
- Los dispositivos exteriores de conexión deberán ser adecuados y estarán lo suficientemente cerca según se establece en el reglamento vigente.
- Los cables de acometida deberán tener la sección adecuada a la intensidad máxima.
- Se tendrá especial cuidado para que no existan elementos exteriores próximos a las entradas y salidas de aire que impidan la correcta refrigeración del equipo.

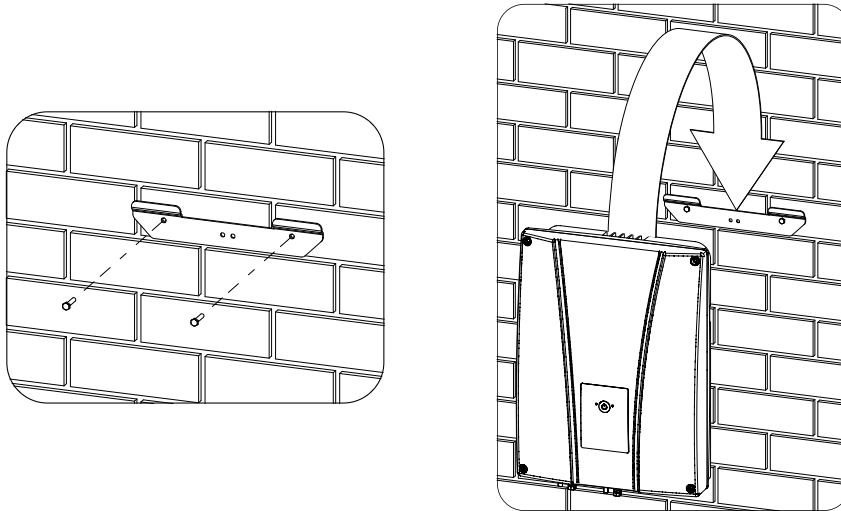
6.2. Fijación del equipo en pared

Los INGECON SUN STORAGE 1Play disponen un sistema de anclaje a la pared mediante pletina. A continuación se detallan los pasos para fijar el equipo correctamente. Se deberá tener en cuenta el peso del equipo.

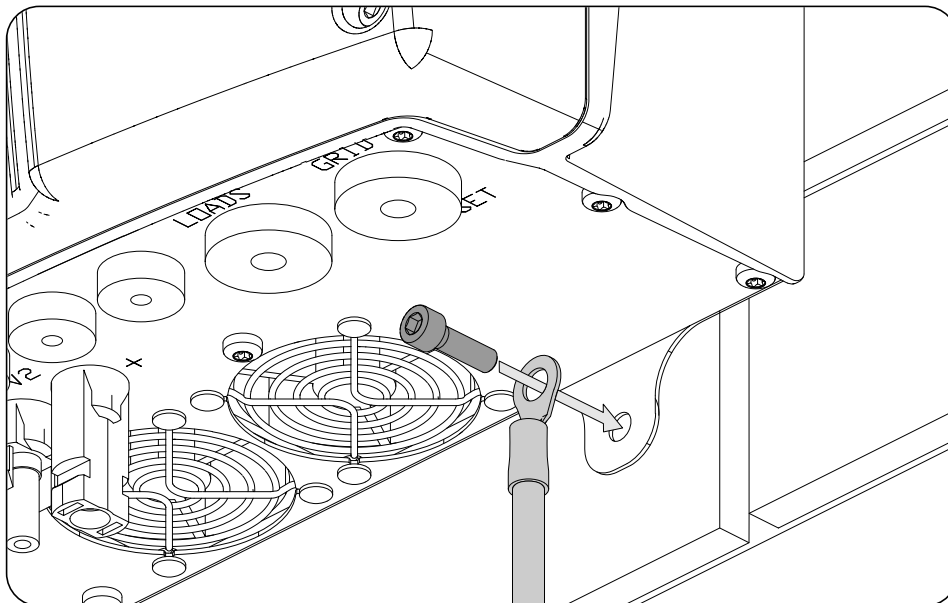
1. Marcar sobre la pared los puntos de amarre de la pletina y realizar los taladros con una broca adecuada a la pared y a los elementos de sujeción que se utilizarán posteriormente para fijar la pletina.



2. Fijar la pletina con elementos de sujeción de acero inoxidable para evitar la corrosión. Colgar el equipo de la pletina encajando las dos pestañas de ésta en las aberturas destinadas a tal fin de la trasera del equipo. Utilizar los huecos laterales para asir el equipo con ambas manos.



3. Para evitar descargas eléctricas desde la envolvente del inversor en caso de que el cable de protección que se conecta en el interior del inversor falle, es necesario conectar la envolvente a tierra. Para ello conectar el cable de tierra al tornillo del amarre inferior.



⚠ ATENCIÓN

Adicionalmente también es necesario conectar el cable de protección a la borna de red del inversor tal y como se detalla en el apartado *"11.3. Proceso de conexión de la red/generador auxiliar"*.

4. Verificar que el equipo ha quedado bien asegurado.

6.3. Apertura de la envolvente

Para acceder al interior del equipo abrir la tapa de la envolvente retirando los cuatro tornillos frontales.

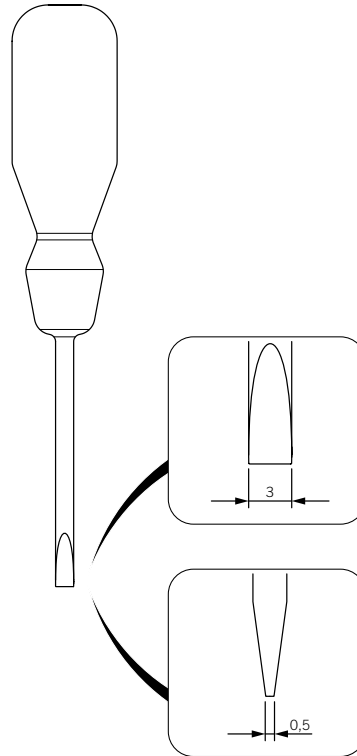
7. Conexión/desconexión del cableado en bornas tipo push-in

La conexión de las cargas críticas y de la red/generador auxiliar se realiza mediante bornas tipo *push-in*.

En este apartado se describe el proceso para la conexión y desconexión del cableado en estas bornas, así como la herramienta a utilizar.

Herramienta necesaria

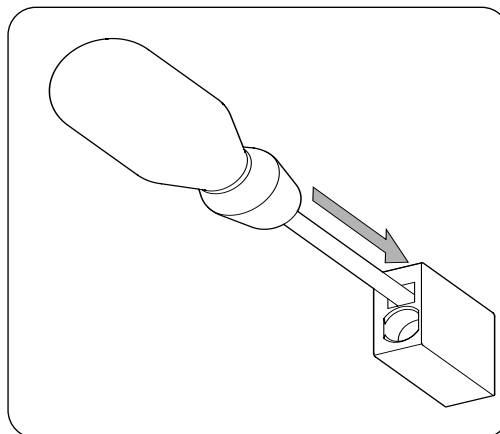
Para operar en estas bornas es necesario utilizar un destornillador plano que tenga las medidas máximas indicadas en la siguiente figura.



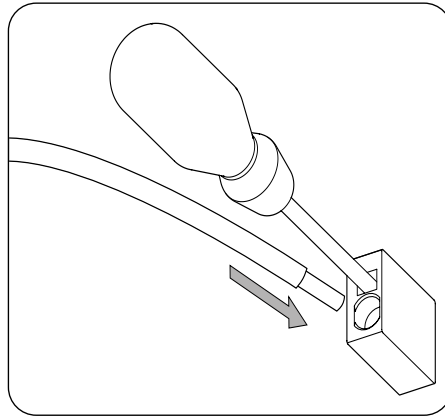
Conexión del cableado

Para conectar el cableado en estas bornas seguir los siguientes pasos:

1. Insertar en el orificio indicado el destornillador plano.



2. Introducir el cableado.

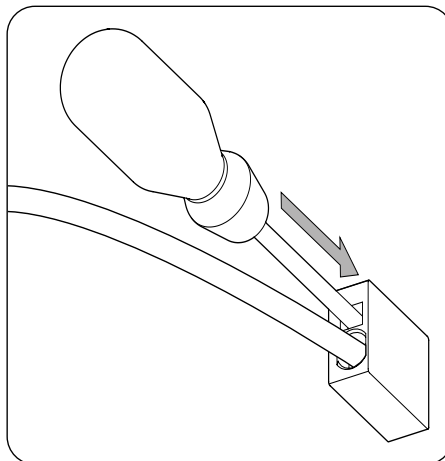


3. Retirar el destornillador.
4. Verificar que la conexión es firme.

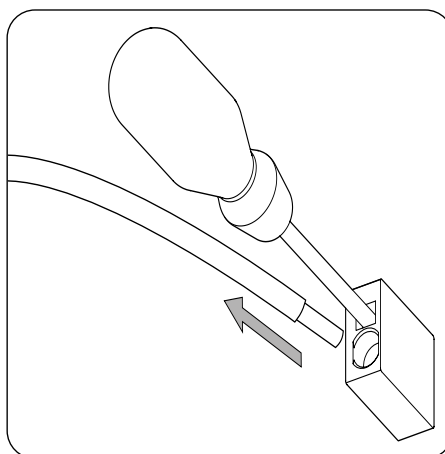
Desconexión del cableado

Para desconectar el cableado en estas bornas seguir los siguientes pasos:

1. Insertar en el orificio indicado el destornillador plano.



2. Extraer el cableado.



3. Retirar el destornillador.

8. Conexión del sistema de almacenamiento

A lo largo de este capítulo se explican los requerimientos y el proceso para conectar el cableado del sistema de almacenamiento en el equipo. Leer detenidamente antes de iniciar el proceso de conexión.

8.1. Indicaciones de seguridad para la conexión del sistema de almacenamiento

ATENCIÓN

Antes de comenzar a realizar las conexiones asegurar la no existencia de tensión en el inversor. Comprobar que las protecciones de la red/generador, de las cargas críticas, del sistema de almacenamiento y del campo fotovoltaico se encuentran abiertas.

No alimentar el equipo hasta que se hayan completado con éxito el resto de conexiones y se haya cerrado el equipo.

A la hora de realizar las conexiones respetar las polaridades marcadas en la serigrafía de la tarjeta electrónica. En caso de conexión errónea el inversor puede verse dañado.

Ingeteam no se responsabiliza de los daños derivados de una conexión incorrecta, así como de la incorrecta aplicación de los pares de apriete indicados.

8.2. Requisitos del cableado para la conexión del sistema de almacenamiento

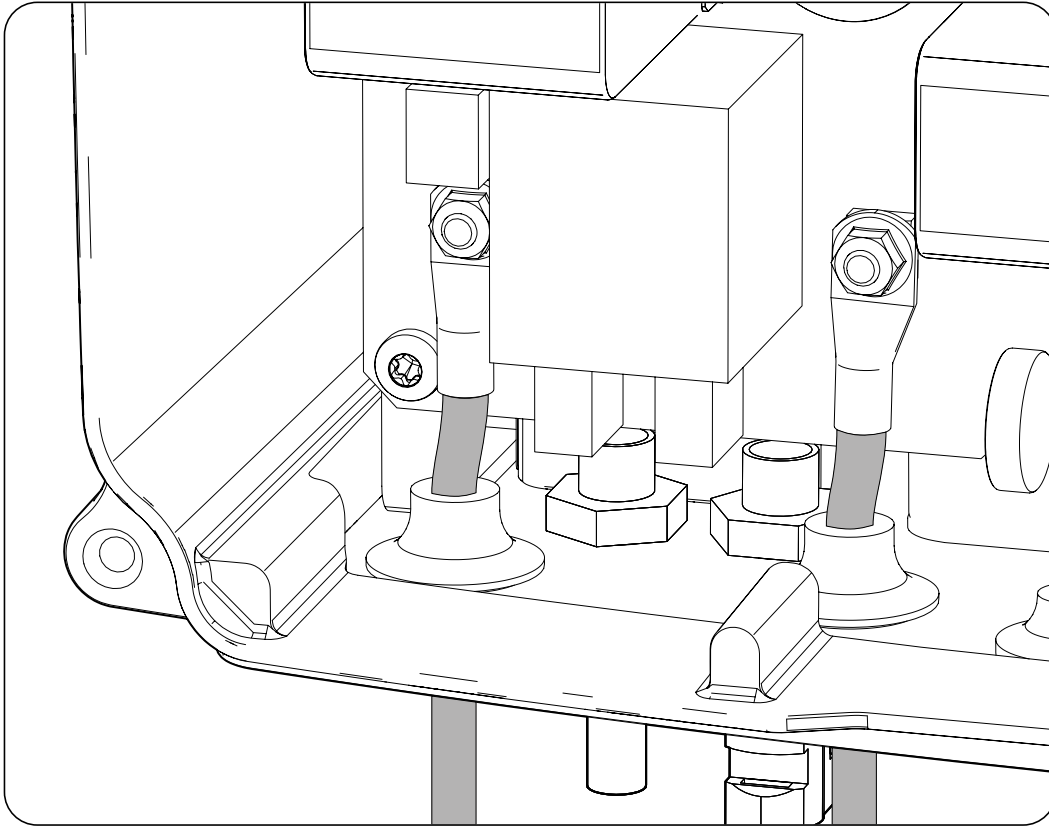
Las características del cableado para la conexión del sistema de almacenamiento se especifican en la siguiente tabla:

	INGECON SUN STORAGE 1Play TL M		
	Hasta 32 A	Hasta 40 A	Hasta 66 A
Sección cableado	16 mm ²		
Diámetro del cableado	8 ~ 13 mm		
Otras características*	Terminal de anilla para tornillo M5 / Terminal de anilla para tornillo M8		
Par de apriete tuerca*	M5: 2,5 Nm / M8: 9 Nm		

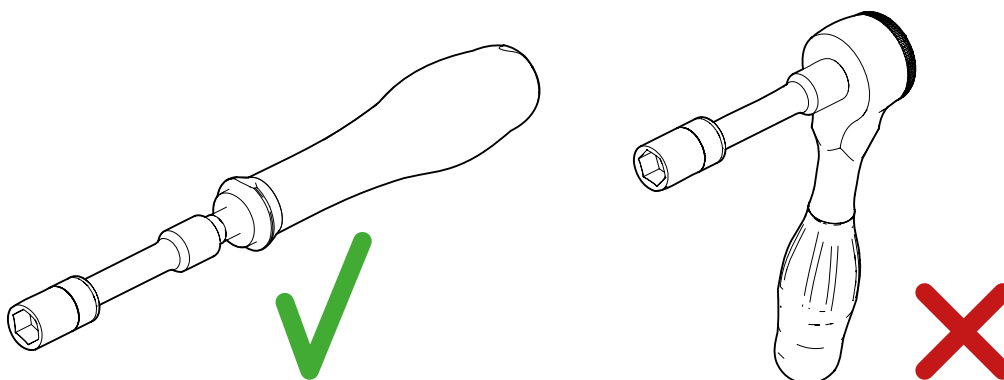
* La conexión del sistema de almacenamiento en el nuevo hardware del inversor se realiza con M8 en vez de M5. Revise la métrica en su inversor y aplique el par correspondiente.

8.3. Proceso de conexión del sistema de almacenamiento

Para realizar la conexión del sistema de almacenamiento:



1. Introducir el cableado del sistema de almacenamiento a través del pasacables dedicado respetando las polaridades.
2. Retirar las tuercas y conectar el cableado en las bornas marcadas como *J105 BATTERY +* y *J06 BATTERY -* respetando las polaridades.
3. Apretar las tuercas con el par indicado anteriormente en función de su métrica para asegurar una correcta sujeción. Es importante no aplicar un par de apriete excesivo.



Herramientas aconsejadas y desaconsejadas para el apriete de las tuercas

4. Verificar que la conexión es firme.

9. Conexión del Kit opcional del sensor de temperatura PT-100 para baterías de plomo-ácido

La instalación del Kit opcional del sensor de temperatura PT-100 (referencia ABH7203) permite realizar cargas óptimas del sistema de almacenamiento en función de la temperatura, alargando así la vida de las baterías de plomo-ácido.

A lo largo de este capítulo se explican los requerimientos y el proceso para conectar el kit en el equipo. Leer detenidamente antes de iniciar el proceso de conexión.

9.1. Indicaciones de seguridad para la conexión del Kit opcional del sensor de temperatura PT-100 para baterías de plomo-ácido

⚠ ATENCIÓN

Antes de comenzar a realizar las conexiones asegurar la no existencia de tensión en el inversor. Comprobar que las protecciones de la red/generador, de las cargas críticas, del sistema de almacenamiento y del campo fotovoltaico se encuentran abiertas.

No alimentar el equipo hasta que se hayan completado con éxito el resto de conexiones y se haya cerrado el equipo.

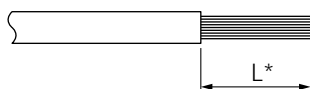
A la hora de realizar las conexiones respetar las polaridades marcadas.

Ingeteam no se responsabiliza de los daños derivados de una conexión incorrecta.

9.2. Requisitos del cableado para la conexión del Kit opcional del sensor de temperatura PT-100 para baterías de plomo-ácido

Las características del cableado para la conexión del sensor de temperatura se especifican en la siguiente tabla:

INGECON SUN STORAGE 1Play TL M	
Sección cableado	0,25 mm ² ~ 1,5 mm ²
Diámetro de la manguera de cables	5~ 9 mm
Longitud del cableado a desaislar (L*)	8 mm



9.3. Proceso de conexión del Kit opcional del sensor de temperatura PT-100 para baterías de plomo-ácido

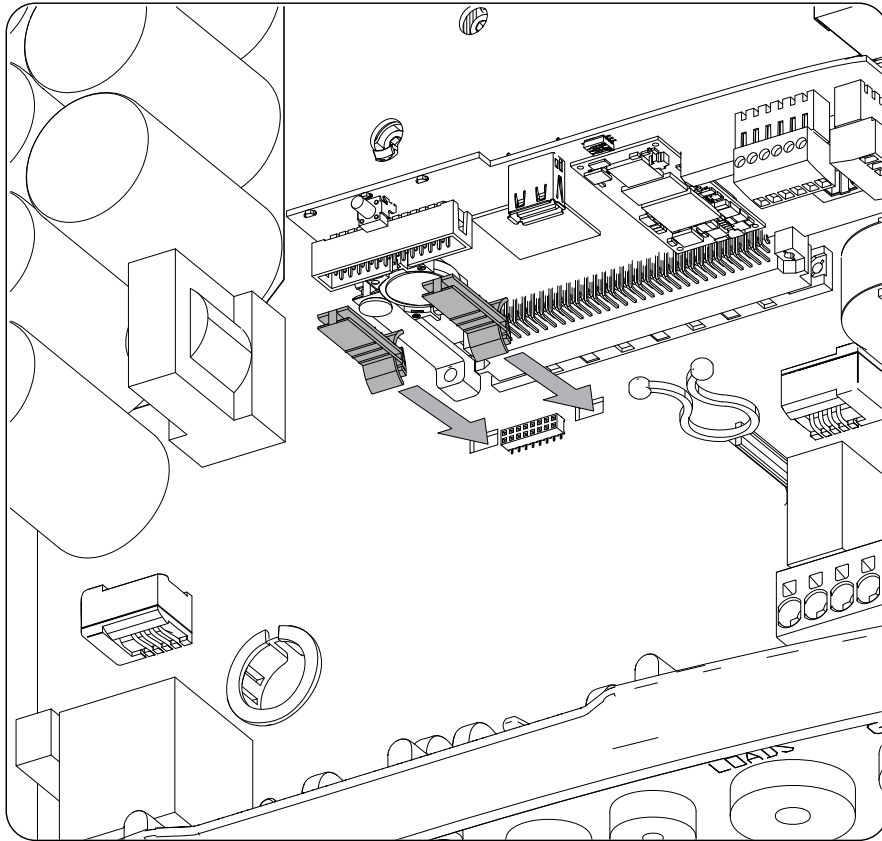
i INFO

Ingeteam recomienda colocar el sensor en una batería que se encuentre ubicada en la zona central del sistema de almacenamiento. Se deberá colocar, aproximadamente, en el punto medio vertical de la celda elegida, y se fijará apropiadamente según las características de la instalación.

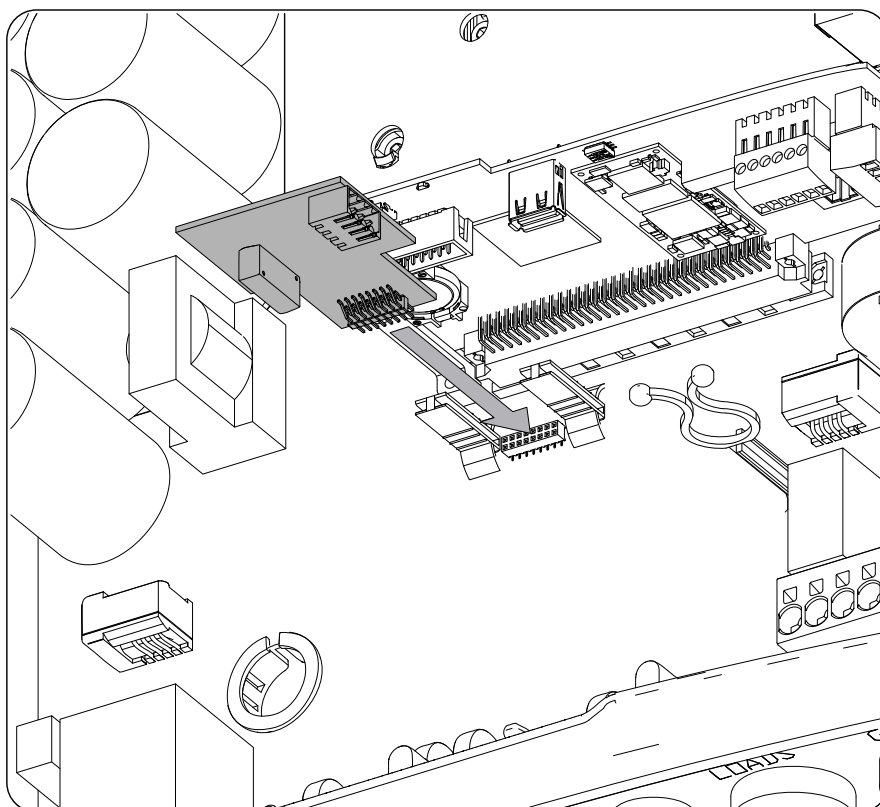
Ingeteam recomienda el uso de sensores de temperatura de tres hilos.

Seguir las siguientes indicaciones para realizar la conexión del Kit opcional del sensor de temperatura:

1. Instalar las dos guías de plástico.

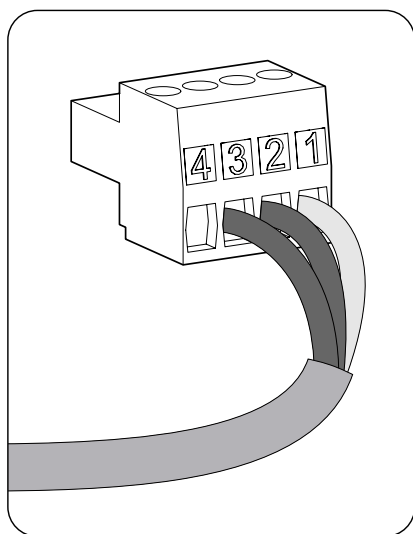


2. Con la ayuda de las guías instaladas en el punto anterior, conectar la tarjeta del kit a la tarjeta principal del inversor.



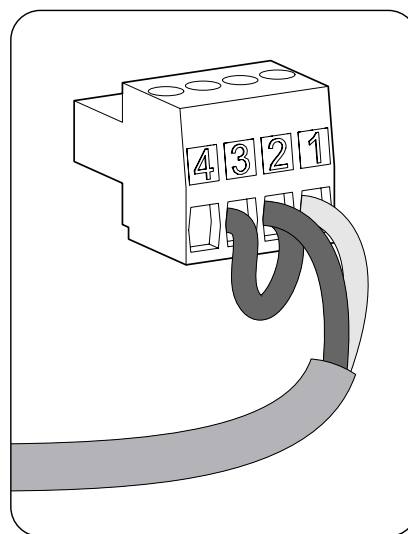
3. Introducir el cableado del sensor de temperatura a través del pasacables dedicado en la parte inferior del inversor.
4. Ingeteam recomienda utilizar un sensor de tres hilos, siendo posible utilizar un sensor de dos hilos. Cablear el conector respetando las polaridades indicadas.

Sensor de tres hilos



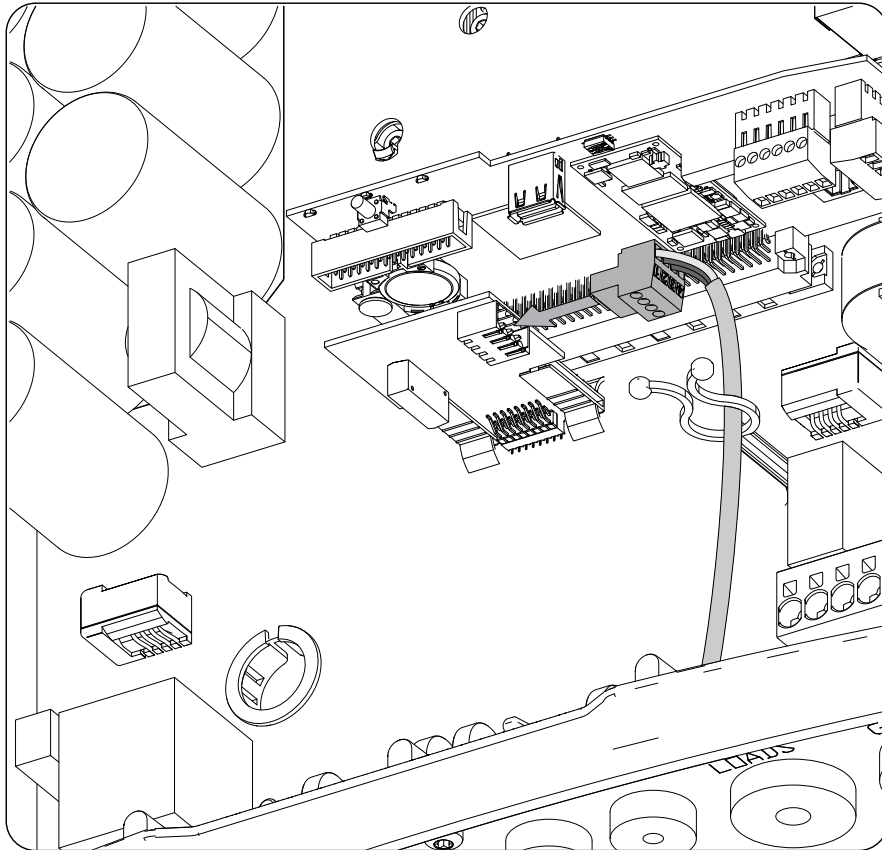
- 1: W (blanco)
- 2: R (rojo)
- 3: R (rojo)
- 4: No utilizado

Sensor de dos hilos



- 1: W (blanco)
- 2: R (rojo)
- 3: Puente 2-3
- 4: No utilizado

5. Conectar el cableado a la tarjeta.



6. Verificar que la conexión es firme.

10. Conexión de las cargas críticas

Estos equipos disponen de una salida AC para la conexión de cargas críticas de la instalación.

A lo largo de este capítulo se explican los requerimientos y el proceso para conectar el cableado de las cargas críticas en el equipo. Leer detenidamente antes de iniciar el proceso de conexión.

10.1. Indicaciones de seguridad para la conexión de las cargas críticas

⚠ ATENCIÓN

Antes de comenzar a realizar las conexiones asegurar la no existencia de tensión en el inversor. Comprobar que las protecciones de la red/generador, de las cargas críticas, del sistema de almacenamiento y del campo fotovoltaico se encuentran abiertas.

No alimentar el equipo hasta que se hayan completado con éxito el resto de conexiones y se haya cerrado el equipo.

A la hora de realizar las conexiones respetar las polaridades marcadas en la serigrafía de la tarjeta electrónica.

Ingeteam no se responsabiliza de los daños derivados de una conexión incorrecta.

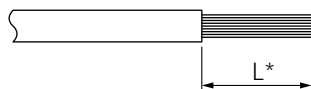
i INFO

En los sistemas de puesta a tierra TT, cuando el inversor trabaja sin red AC, el neutro de las cargas críticas es conectado a tierra automáticamente por el inversor. Este equipo dispone de un relé interno dedicado para realizar esta función.

10.2. Requisitos del cableado para la conexión de las cargas críticas

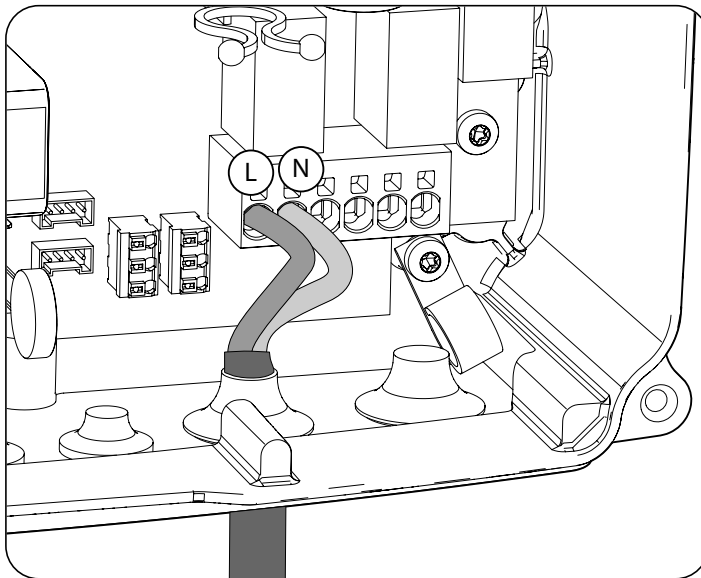
La sección del cableado para la conexión de las cargas críticas se especifica en la siguiente tabla:

	INGECON SUN STORAGE 1Play TL M	
	Hasta 32 A	
Sección máxima cableado	6 mm ²	
Diámetro de la manguera de cables	11 ~ 17 mm	
Longitud del cableado a desaislar (L*)	18 mm	



10.3. Proceso de conexión de las cargas críticas

Para realizar la conexión de las cargas críticas se deben seguir los siguientes pasos:



L Línea
N Neutro

1. Introducir el cableado de las cargas críticas a través del pasacables dedicado (ver apartado [“2.5. Descripción de accesos de cableado”](#)).
2. Conectar en las bornas tipo *push-in* marcadas como *J82 Critical Loads* respetando las polaridades. El funcionamiento de este tipo de borna se describe en [“7. Conexión/desconexión del cableado en bornas tipo push-in”](#).
3. Verificar que la conexión por resorte *push-in* es firme.

11. Conexión de la red/generador auxiliar

En función de las necesidades y características de la instalación, se puede disponer de una red de distribución eléctrica o de un generador auxiliar. A lo largo de este capítulo se explican los requerimientos y el proceso para conectar el cableado de la red o del generador auxiliar en el equipo.

⚠ PELIGRO

Antes de proceder con la conexión de la red, identificar el sistema de puesta a tierra TT o TN de la misma. Peligro de electrocución debido a una conexión errónea del conductor neutro.

i INFO

En este equipo es posible utilizar sistema de puesta a tierra TT y TN. Se deberá de seleccionar el sistema utilizado a través de su configuración.

En caso de conectar el conductor neutro de forma errónea, la toma a tierra de las cargas críticas no funcionará. En los sistemas TT, el relé de transferencia interno debe desconectar el conductor neutro entre las cargas críticas y la red/generador auxiliar, cuando el inversor no está conectado a la red/generador auxiliar. En cambio, en los sistemas TN el conductor neutro debe ser el mismo entre las cargas críticas y la red/generador auxiliar, por lo que no puede ser cortado.

11.1. Indicaciones de seguridad para la conexión de la red/generador auxiliar

⚠ ATENCIÓN

Antes de comenzar a realizar las conexiones asegurar la no existencia de tensión en el inversor. Comprobar que las protecciones de la red/generador, de las cargas críticas, del sistema de almacenamiento y del campo fotovoltaico se encuentran abiertas.

No alimentar el equipo hasta que se hayan completado con éxito el resto de conexiones y se haya cerrado el equipo.

A la hora de realizar las conexiones respetar las polaridades marcadas en la serigrafía de la tarjeta electrónica.

11.2. Requisitos del cableado para la conexión de la red/generador auxiliar

La sección del cableado para la conexión de la red/generador auxiliar se especifica en la siguiente tabla:

	INGECON SUN STORAGE 1Play TL M
	Hasta 32 A
Sección máxima cableado	6 mm ²
Diámetro de la manguera de cables	11 ~ 17 mm
Longitud del cableado a desaislar (L*)	18 mm



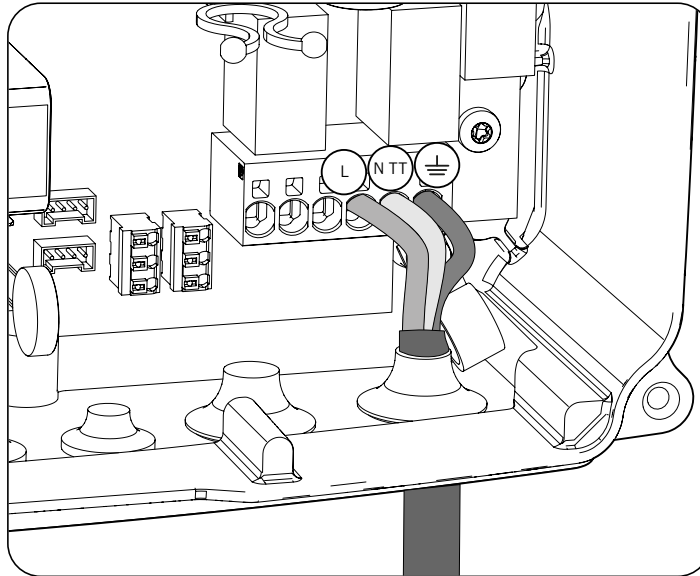
11.3. Proceso de conexión de la red/generador auxiliar

⚠ ATENCIÓN

Tanto para sistemas TT como TN es necesario conectar cable de tierra al terminal de tierra del inversor.

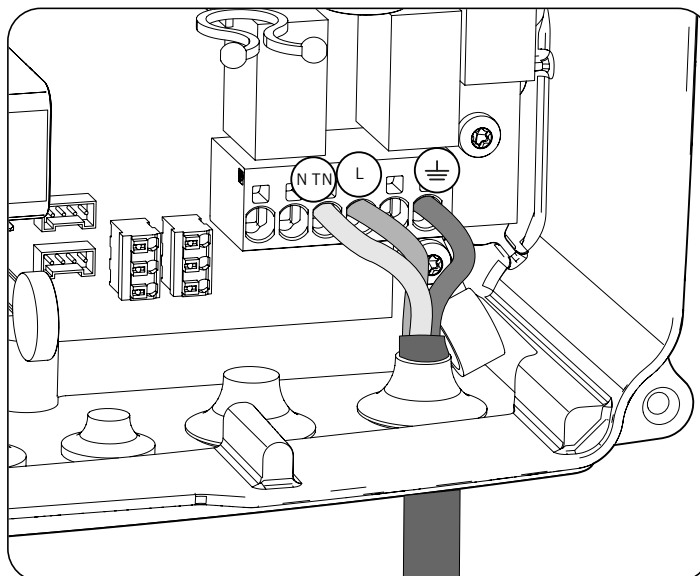
Dependiendo del sistema de puesta a tierra, TT o TN, seguir los siguientes pasos.

Sistema de puesta a tierra TT



1. Introducir la manguera de cables a través del pasacables marcado como *GRID/GENSET*.
2. Introducir los respectivos cables en las bornas tipo push-in *J82 GRID*, respetando la polaridad. El conector neutro deberá conectarse en la borna *J82 N_{TT}*. El funcionamiento de este tipo de borna se describe en "[7. Conexión/desconexión del cableado en bornas tipo push-in](#)".
3. Verificar que la conexión por resorte *push-in* es firme.

Sistema de puesta a tierra TN



1. Introducir la manguera de cables a través del pasacables marcado como *GRID/GENSET*.

2. Introducir los respectivos cables en las bornas tipo push-in *J82 GRID*, respetando la polaridad. El conector neutro deberá conectarse en la borna *J82 N_{TN}*.
3. Verificar que la conexión por resorte *push-in* es firme.

12. Conexión del campo fotovoltaico

Estos equipos disponen de dos entradas MPPT para la conexión de dos campos fotovoltaicos independientes.

A lo largo de este capítulo se explican los requerimientos y el proceso para conectar el cableado de los campos fotovoltaicos en el equipo. Leer detenidamente antes de iniciar el proceso de conexión.

⚠ ATENCIÓN

Los campos fotovoltaicos no pueden estar aterrados, por lo que sus terminales deben estar aislados de tierra.

i INFO

El inversor arrancará solamente si la impedancia a tierra del campo fotovoltaico es superior a 18,3 kOhms.

12.1. Indicaciones de seguridad para la conexión del campo fotovoltaico

⚠ ATENCIÓN

Antes de comenzar a realizar las conexiones asegurar la no existencia de tensión en el inversor. Comprobar que las protecciones de la red/generador, de las cargas críticas, del sistema de almacenamiento y de los campos fotovoltaicos se encuentran abiertas.

No alimentar el equipo hasta que se hayan completado con éxito el resto de conexiones y se haya cerrado el equipo.

A la hora de realizar las conexiones respetar las polaridades marcadas en el equipo.

Ingeteam no se responsabiliza de los daños derivados de una conexión incorrecta.

12.2. Requisitos del cableado para la conexión del campo fotovoltaico

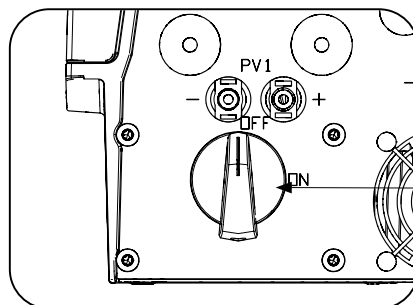
La sección del cableado para la conexión del campo fotovoltaico se especifica en la siguiente tabla:

INGECON SUN STORAGE 1Play TL M	
Sección de cableado	4 ~ 6 mm ²
Tipo de conector	MC4

12.3. Proceso de conexión del campo fotovoltaico

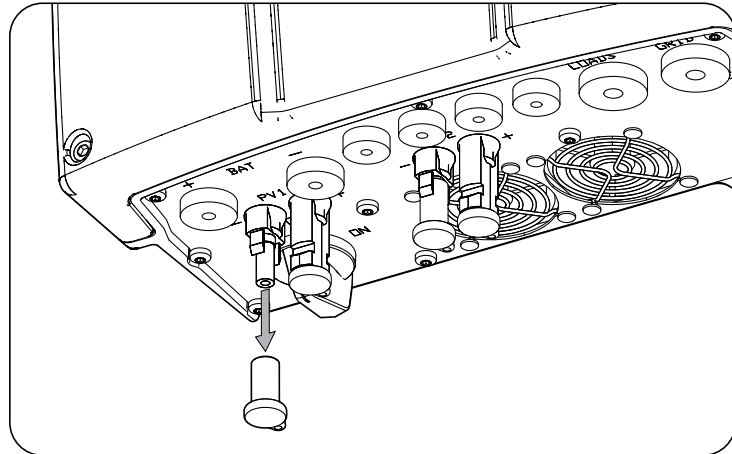
Para realizar la conexión del campo fotovoltaico seguir los siguientes pasos:

1. Asegurar que el seccionador DC para el campo fotovoltaico que incorpora el equipo en su parte inferior está en posición off.

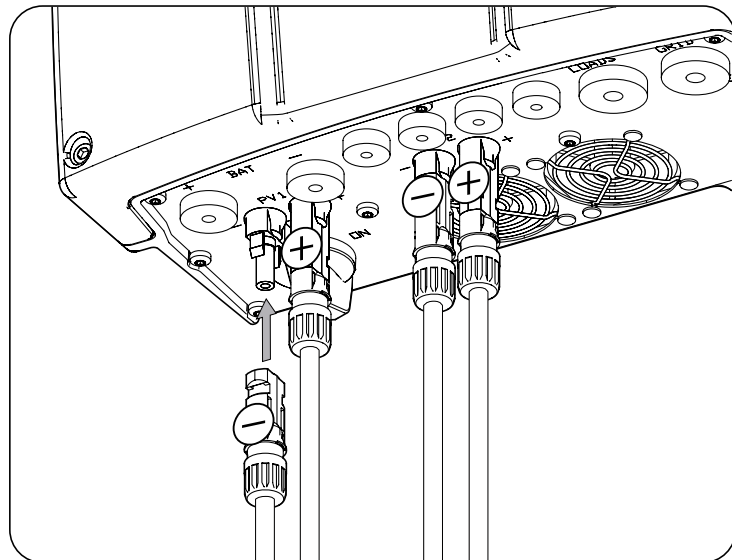


Seccionador DC para el campo fotovoltaico

2. Retirar los tapones de los conectores rápidos.



3. Insertar los conectores respetando las polaridades indicadas en la placa de conexiones inferior del equipo.



4. Asegurar la firmeza de las conexiones. En caso de querer retirar los conectores aéreos se deberá emplear la herramienta específica para este fin.

13. Conexión de la comunicación RS-485 para el vatímetro externo

En instalaciones de autoconsumo, el uso de un vatímetro externo en el punto de conexión con la red de distribución permite al inversor tener un control de todas las cargas existentes, tanto críticas como no críticas.

A lo largo de este capítulo se explican los requerimientos y el proceso para conectar el cableado de la comunicación RS-485 para el vatímetro externo. Leer detenidamente antes de iniciar el proceso de conexión.

INFO

Para ampliar información sobre los vatímetros compatibles consultar la “Lista de vatímetros compatibles para el INGECON SUN STORAGE 1Play TL M”, disponible en la web de Ingeteam. Si el modelo de vatímetro requerido no se encuentra en la lista consultar con Ingeteam. Además, es necesario que los vatímetros que aparece en dicha lista estén configurados con un BaudRate de 9600.

13.1. Indicaciones de seguridad para la conexión de la comunicación RS-485 para el vatímetro externo

ATENCIÓN

Antes de comenzar a realizar las conexiones asegurar la no existencia de tensión en el inversor. Comprobar que las protecciones de la red/generador, de las cargas críticas, del sistema de almacenamiento y del campo fotovoltaico se encuentran abiertas.

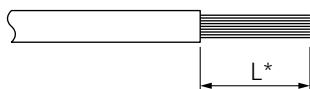
No alimentar el equipo hasta que se hayan completado con éxito el resto de conexiones y se haya cerrado el equipo.

A la hora de realizar las conexiones respetar las polaridades marcadas en la serigrafía de la tarjeta electrónica.

13.2. Requisitos del cableado para la conexión de la comunicación RS-485 para el vatímetro externo

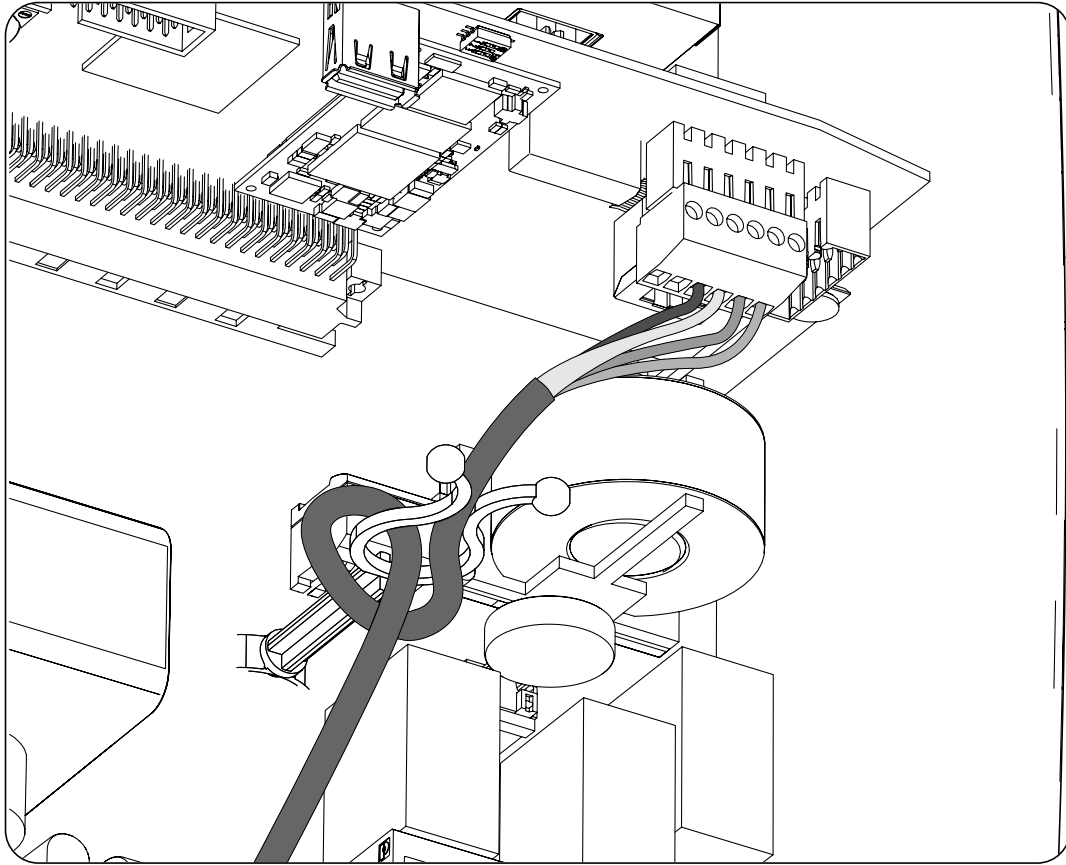
La sección del cableado para la conexión de la comunicación RS-485 se especifica en la siguiente tabla:

INGECON SUN STORAGE 1Play TL M	
Sección cableado	0,25 mm ² ~ 1,5 mm ²
Diámetro de la manguera de cables	5 ~ 9 mm
Longitud del cableado a desaislar (L*)	8 mm



13.3. Proceso de conexión de la comunicación RS-485 para el vatímetro externo

Seguir los siguientes pasos:



1. Introducir el cableado de comunicación RS-485 a través del pasacables destinado a este uso (ver apartado [“2.5. Descripción de accesos de cableado”](#)).
2. Conectar el cableado en la borna *J8 WATTMETER* tal y como indica la figura anterior, respetando las indicaciones impresas en la serigrafía de la tarjeta electrónica (*GND*, *SHIELD*, *A-*, *B+*).
3. Guiar y sujetar el cable si es preciso, en el soporte de plástico.
4. Verificar que la conexión es firme.

14. Conexión de la comunicación CAN para baterías de ion-litio

INFO

Consultar el listado de baterías de ion-litio homologadas disponible en la página web de Ingeteam.

La instalación de la comunicación CAN permite al inversor tener control sobre las baterías de ion-litio con BMS (*Battery Management System*).

A lo largo de este capítulo se explican los requerimientos y el proceso para conectar el cableado de la comunicación CAN para baterías de ion-litio con BMS en el equipo. Leer detenidamente antes de iniciar el proceso de conexión.

14.1. Indicaciones de seguridad para la conexión de la comunicación CAN para baterías de ion-litio

ATENCIÓN

Antes de comenzar a realizar las conexiones asegurar la no existencia de tensión en el inversor. Comprobar que las protecciones de la red/generador, de las cargas críticas, del sistema de almacenamiento y del campo fotovoltaico se encuentran abiertas.

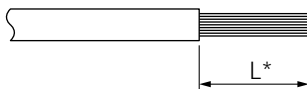
No alimentar el equipo hasta que se hayan completado con éxito el resto de conexiones y se haya cerrado el equipo.

A la hora de realizar las conexiones respetar las polaridades marcadas en la serigrafía de la tarjeta electrónica.

14.2. Requisitos del cableado para la conexión de la comunicación CAN para baterías de ion-litio

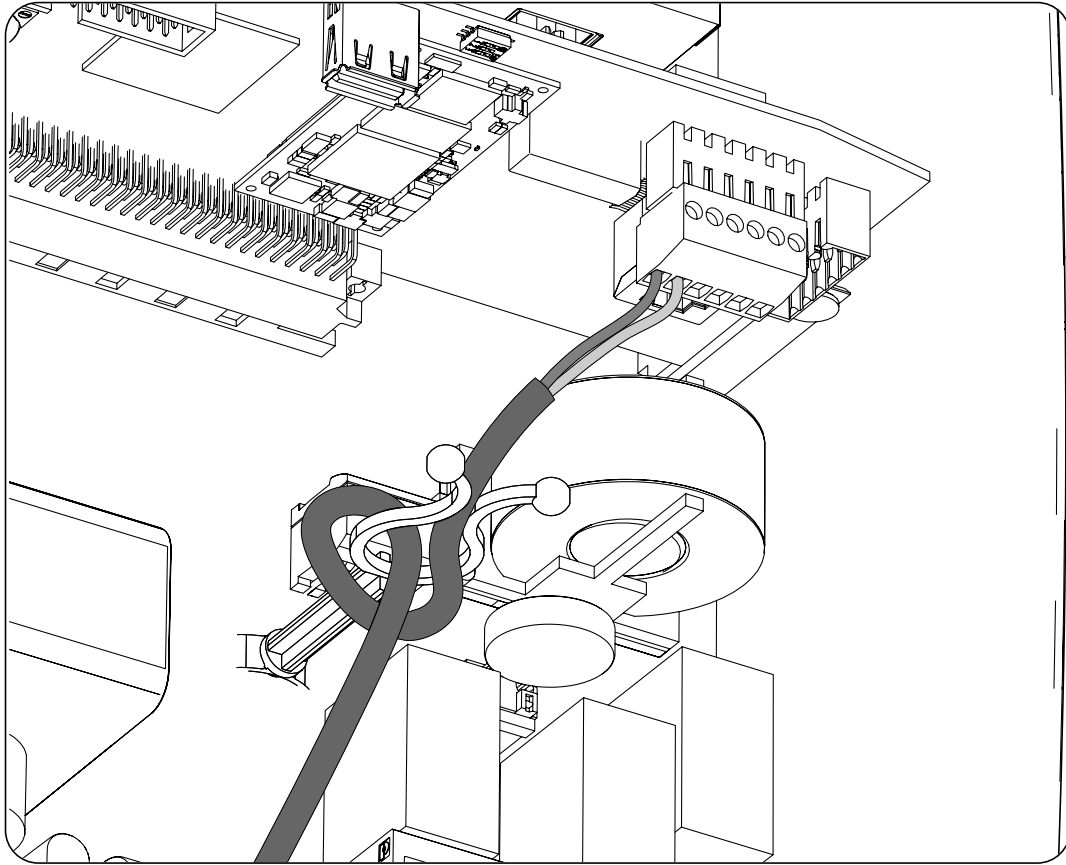
La sección del cableado para la conexión de la comunicación CAN del sistema de gestión del sistema de almacenamiento se especifica en la siguiente tabla:

INGECON SUN STORAGE 1Play TL M	
Sección cableado	0,25 mm ² ~ 1,5 mm ²
Diámetro de la manguera de cables	5 ~ 9 mm
Longitud del cableado a desaislar (L*)	8 mm



14.3. Proceso de conexión de la comunicación CAN para baterías de ion-litio

Para realizar la conexión de la comunicación CAN seguir los siguientes pasos:



1. Introducir el cableado de comunicación CAN a través del pasacables destinado a este uso (ver apartado ["2.5. Descripción de accesos de cableado"](#)).
2. Conectar el cableado en la borna *J8 BMS* tal y como indica la figura anterior, respetando las indicaciones impresas en la serigrafía de la tarjeta electrónica (CAN_L, CAN_H).
3. Guiar y sujetar el cable si es preciso en el soporte de plástico.
4. Verificar que la conexión es firme.

15. Conexión de las salidas digitales

Estos equipos están provistos de dos contactos libres de potencial. Ambas salidas digitales disponen de un contacto Normalmente Abierto (NO) de 5 A 250 Vac y de un contacto Normalmente Cerrado (NC) de 2 A 250 Vac. Se pueden configurar para diferentes fines.

A lo largo de este capítulo se explican los requerimientos y el proceso para conectar el cableado de las salidas digitales en el equipo. Leer detenidamente antes de iniciar el proceso de conexión.

15.1. Indicaciones de seguridad para la conexión de las salidas digitales

⚠ ATENCIÓN

Antes de comenzar a realizar las conexiones asegurar la no existencia de tensión en el inversor. Comprobar que las protecciones de la red/generador, de las cargas críticas, del sistema de almacenamiento y del campo fotovoltaico se encuentran abiertas.

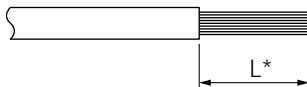
No alimentar el equipo hasta que se hayan completado con éxito el resto de conexiones y se haya cerrado el equipo.

A la hora de realizar las conexiones respetar las polaridades marcadas en la serigrafía de la tarjeta electrónica.

15.2. Requisitos del cableado para la conexión de las salidas digitales

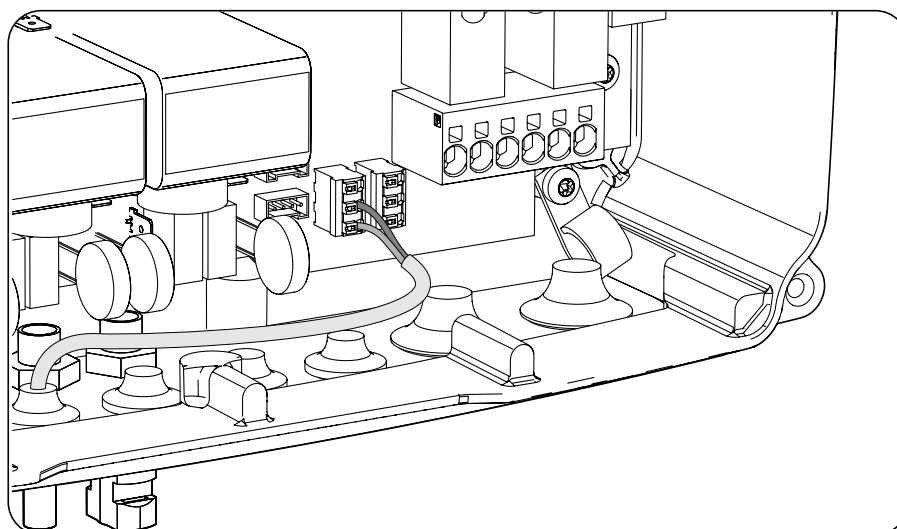
La sección del cableado para la conexión de las salidas digitales se especifica en la siguiente tabla:

INGECON SUN STORAGE 1Play TL M	
Sección cableado	0,25 mm ² ~ 1,5 mm ²
Diámetro de la manguera de cables	5 ~ 9 mm
Longitud del cableado a desaislar (L*)	8 mm



15.3. Proceso de conexión de las salidas digitales

Para realizar la conexión de las salidas digitales seguir las siguientes indicaciones.



Salida digital 1	J36 EXT RELAY 1
Salida digital 2	J44 EXT RELAY 2

1. Introducir el cableado de comunicación CAN a través del pasacables destinado a este uso [“2.5. Descripción de accesos de cableado”](#).
2. Si se quiere utilizar el contacto Normalmente Abierto, conectar el cableado en las posiciones NO y COM de las bornas *J36 EXT. 1 RELAY* y/o *J44 EXT. 2 RELAY* tal y como indica la figura anterior.
3. Si se quiere utilizar el contacto Normalmente Cerrado, conectar el cableado en las posiciones NC y COM de las bornas *J36 EXT. 1 RELAY* y/o *J44 EXT. 2 RELAY* tal y como indica la figura anterior.
4. Verificar que la conexión es firme.

16. Conexión de las entradas digitales

Estos equipos están provistos de una entrada DRMO necesaria para cumplir con la normativa australiana AS4777.2, y de dos entradas digitales configurables para diferentes fines.

A lo largo de este capítulo se explican los requerimientos y el proceso para conectar el cableado de las entradas digitales en el equipo. Leer detenidamente antes de iniciar el proceso de conexión.

16.1. Indicaciones de seguridad para la conexión de la entrada digital

⚠ ATENCIÓN

Antes de comenzar a realizar las conexiones asegurar la no existencia de tensión en el inversor. Comprobar que las protecciones de la red/generador, de las cargas críticas, del sistema de almacenamiento y del campo fotovoltaico se encuentran abiertas.

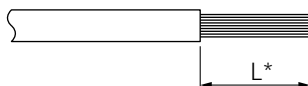
No alimentar el equipo hasta que se hayan completado con éxito el resto de conexiones y se haya cerrado el equipo.

A la hora de realizar las conexiones respetar las polaridades marcadas en la serigrafía de la tarjeta electrónica.

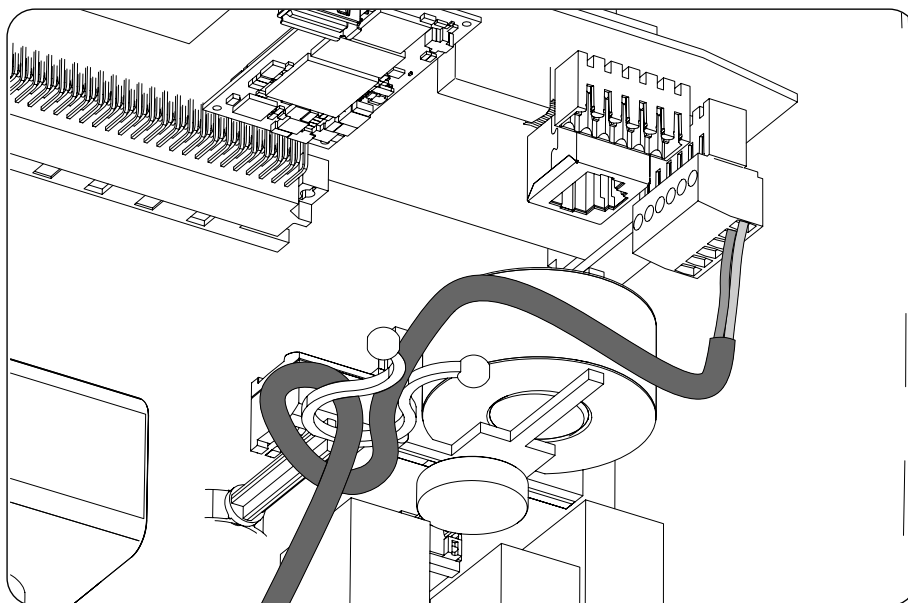
16.2. Requisitos del cableado para la conexión de la entrada digital

La sección del cableado para la conexión de las entradas digitales se especifica en la siguiente tabla:

INGECON SUN STORAGE 1Play TL M	
Sección cableado	0,25 mm ² ~ 1,5 mm ²
Diámetro de la manguera de cables	5 ~ 9 mm
Longitud del cableado a desaislar (L*)	8 mm



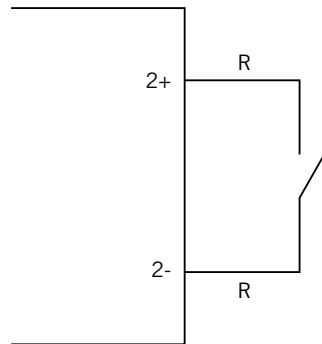
16.3. Proceso de conexión de las entradas digitales



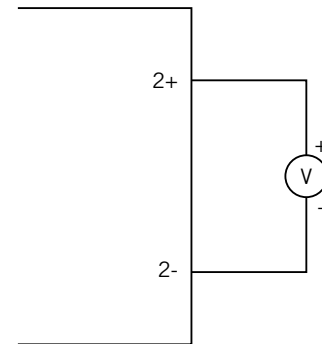
Hardware tipo B	
Entrada digital DRMO	J11 DIGITAL INPUT DRMO
Entrada digital 2	J11 DIGITAL INPUT 2
Entrada digital 3	J11 DIGITAL INPUT 3

La entrada digital *DRMO* es necesaria para cumplir con la normativa australiana AS4777.2, donde un dispositivo externo llamado *DRED* controla al equipo a través de esta conexión.

Las entradas 2 y 3 se puede configurar para diferentes fines (ver [“19.7.13. Configurar las entradas digitales”](#)) y utilizar con un contacto de libre potencial o con una fuente de tensión, ambos externos al equipo.



Contacto de libre potencial externo



Fuente de alimentación externa

La tabla de verdad para estas entradas es la siguiente.

Conector		CPU
Contacto de libre potencial	Nivel de tensión	
Abierto	5 V ~ 24 V	“0”
Cerrado (R < 100 Ohm)	0 V	“1”
Cerrado (R > 100 Ohm)	1 V ~ 5 V	X

Para conectar las entradas digitales seguir el siguiente orden:

1. Introducir el cableado a través del pasacables destinado a este uso (ver apartado [“2.5. Descripción de accesos de cableado”](#)).
2. Conectar el cableado en la borna J11 DIGITAL INPUT tal y como indican las figuras anteriores, respetando las polaridades impresas en la serigrafía de la tarjeta electrónica.
3. Guiar y sujetar el cable si es preciso en el soporte de plástico.
4. Verificar que la conexión es firme.

17. Conexión de Ethernet TCP

Estos equipos disponen de comunicación Wi-Fi y Ethernet TCP.

Para la comunicación inalámbrica con el inversor, éste lleva instalado en su interior una antena Wi-Fi.

Para la comunicación por cable es necesario utilizar un cable Ethernet TCP.

A lo largo de este capítulo se explica el proceso para conectar la comunicación Ethernet TCP.

17.1. Indicaciones de seguridad para la conexión de Ethernet TCP

⚠ ATENCIÓN

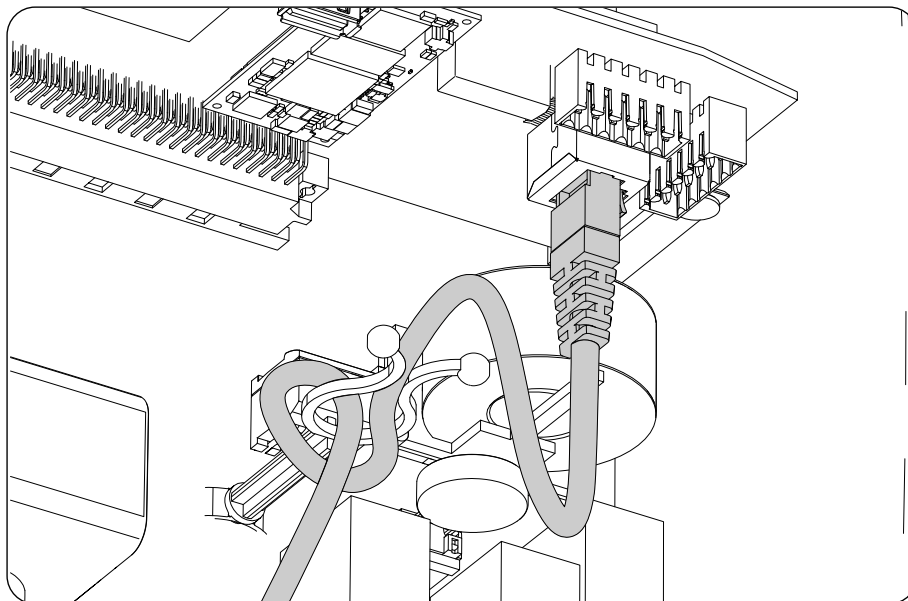
Antes de comenzar a realizar las conexiones asegurar la no existencia de tensión en el inversor. Comprobar que las protecciones de la red/generador, de las cargas críticas, del sistema de almacenamiento y del campo fotovoltaico se encuentran abiertas.

No alimentar el equipo hasta que se hayan completado con éxito el resto de conexiones y se haya cerrado el equipo.

17.2. Proceso de conexión de Ethernet TCP

Para conectar el cableado de Ethernet TCP seguir los siguientes pasos:

1. Insertar el cable de comunicación Ethernet TCP sin el conector RJ45 a través del pasacables destinado a este uso (ver apartado "[2.5. Descripción de accesos de cableado](#)").
2. Crimpar el conector RJ45 al cable Ethernet TCP.
3. Conectar el cableado de Ethernet TCP en el conector *J10*.



4. Guiar y sujetar el cable si es preciso en el soporte de plástico.
5. Verificar que la conexión es firme.

18. Puesta en servicio

A lo largo de este capítulo se detalla el proceso a seguir para la puesta en servicio del equipo.

18.1. Revisión del equipo

Es necesario revisar el correcto estado de la instalación antes de la puesta en marcha.

Cada instalación es diferente según sus características, el país donde se encuentre u otras condiciones especiales que se le apliquen. En cualquier caso, antes de realizar la puesta en marcha, ha de asegurarse de que la instalación cumple la legislación y reglamentos que se le apliquen y que está finalizada, al menos la parte que se va a poner en marcha.

18.1.1. Inspección

Antes de la puesta en marcha de los inversores, se ha de realizar una revisión general de los equipos consistente principalmente en:

Revisar el cableado

- Comprobar que los cables están correctamente unidos a sus conectores de la parte inferior de la carcasa.
- Comprobar que dichos cables están en buen estado, y que en su entorno no existen peligros que puedan deteriorarlos, como fuentes de calor intenso, objetos que puedan causar su corte u disposiciones que les sometan a riesgo de impactos o tirones.

Revisar la fijación del equipo

Comprobar el equipo está sólidamente fijado y no corre peligro de caer.

18.1.2. Cierre hermético del equipo

En las operaciones de instalación asegurarse de que las operaciones de conexión del equipo no han alterado el grado de estanqueidad del equipo.

Vigilar el ajuste correcto de los conectores y de los pasacables.

Tapa

Si la tapa frontal se ha abierto en algún momento, amarrarla al equipo mediante sus cuatro tornillos, siguiendo estas pautas:

1. Asegurarse de que la tapa está correctamente alineada con el mueble. Esto se verifica fácilmente comprobando que los orificios de tapa y mueble quedan concéntricos.
2. Lubricar los tornillos. Siempre que se abra el equipo es obligatorio lubricar los tornillos antes de volver a instalarlos para evitar el agarrotamiento y gripado de los mismos.
3. Embocar de forma manual los cuatro tornillos en sus orificios roscados, comenzando con el de la esquina superior derecha, siguiendo con el de la esquina inferior izquierda, y finalmente los otros dos.
4. Roscar los tornillos hasta aplicar un par de apriete máximo en cada uno de ellos de 5 Nm con una herramienta calibrada.
5. Vigilar la conservación de su estanqueidad.

La garantía no cubre los daños ocasionados por un cierre inadecuado del equipo.

18.2. Puesta en marcha

ATENCIÓN

Será obligatorio realizar las tareas indicadas en este punto con el equipo cerrado, evitando de esta forma posibles contactos con elementos en tensión.

Una vez realizada una inspección visual general, revisión de cableado y revisión del correcto cierre, proceder a alimentar el equipo desde el banco de baterías y/o desde el campo fotovoltaico.

Asegurar que el seccionador DC para el campo fotovoltaico está en posición On.

Si pasados varios segundos el inversor no muestra actividad en los LED de la carátula, verificar que se han respetado las polaridades indicadas en las conexiones de las baterías y/o del campo fotovoltaico.

18.2.1. Primera configuración del equipo

i INFO



Para ampliar información sobre la puesta en marcha del inversor visitar la web https://www.ingeconsuntraining.info/?page_id=25439

Para controlar el inversor desde un smartphone o tablet es necesario instalar la app INGECON SUN Monitor, disponible en Apple Store y Play Store.









<https://apps.apple.com/br/app/ingecon-sun-monitor/id1434881715>


<https://play.google.com/store/apps/details?id=com.ingeteam.ingecon.sunmonitor>

Gracias al interfaz de usuario web el inversor se configura de forma sencilla y ágil, tanto en instalaciones aisladas como conectadas a red, a través de un ordenador o smartphone.

Por defecto el inversor actúa como punto de acceso Wi-Fi, generando una red SoftAP con un SSID del tipo *Ingeteam_1GMxxxxxAxx_MMMM*. Por defecto, esta red está protegida con la contraseña *ingeconsun*.

Seguir las siguientes indicaciones para establecer una conexión local con el inversor y configurarlo:

Conexión con smartphone o tablet

1. Instalar la aplicación INGECON SUN Monitor.
2. Registrarse como instalador autorizado y acceder al icono  para conectarse localmente al inversor.
3. Seguir los pasos indicados para acceder a la aplicación web del equipo.

Conexión con ordenador

1. Conectarse a la red Wi-Fi generada por el inversor.
2. En el navegador web acceder a la aplicación web en la dirección <http://169.254.1.1>. Se deberá de registrar como instalador autorizado.

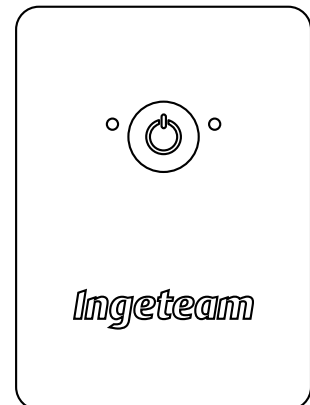
Al ser la primera conexión, un asistente nos indicará los pasos a seguir para realizar una configuración óptima del equipo.

19. Manejo del equipo

La gestión del funcionamiento del inversor se realiza a través del panel de control y de la aplicación web.

Para poner en marcha o paro el inversor es posible emplear el panel de control compuesto por un botón y sus LED correspondientes.

La gestión completa se desarrollará a través de la aplicación web.



19.1. Panel de control

El panel de control dispone de un botón y tres LED:

Botón On/Off

Cambia el estado del inversor de paro a marcha y viceversa. La pulsación debe ser superior a un segundo.

Este botón también está accesible en la aplicación web.

LED de On/Off (verde/rojo)

- Verde, parpadeando: inversor arrancando.
- Verde, encendido: inversor generando tensión en las cargas críticas o conectado a la red/generador auxiliar.
- Rojo, encendido: inversor en estado de paro manual.
- Apagado: el inversor se encuentra desconectado o sin firmware.

LED de información de estado (naranja)

- Parpadeando: el inversor tiene un aviso activo.
- Encendido: el inversor o la batería tienen una alarma activa.

LED de comunicaciones (azul)

- Parpadeando: inversor intentando conectar con INGECON SUN Monitor.
- Encendido: inversor conectado a INGECON SUN Monitor.
- Apagado: inversor sin conexión a INGECON SUN Monitor.

19.2. Gestión del inversor a través de la aplicación web

La aplicación web permite monitorizar y configurar el inversor, adaptándolo a cualquier tipo de instalación.

Es posible acceder a la aplicación web desde distintos tipos de dispositivo (smartphone, tablet u ordenador). La gestión del inversor desde la aplicación web se puede realizar de forma local (inversor y dispositivo conectados a la misma red de comunicación) o de forma remota (inversor y dispositivo conectados a redes de comunicación diferentes).

En los siguientes apartados se describe el proceso para conectar con el inversor de forma local o remota.

Para la conexión inicial con el inversor en modo local, en la que se configurará, éste ofrece dos vías de comunicación:

- Interfaz Ethernet en modo DHCP.

- Interfaz Wi-Fi en modo *Access Point*.

19.3. Conectar con el inversor de forma local a través de su red Wi-Fi


INFO

La red de comunicación Wi-Fi generada por el inversor es una red con una frecuencia inalámbrica de 2.4 GHz.

El inversor tiene una etiqueta adherida en la que se indica el SSID y contraseña de la red Wi-Fi (*Default local Wi-Fi access point*).

El inversor actúa como punto de acceso Wi-Fi, generando una red SoftAP. Para realizar una conexión local a esta red seguir los siguientes pasos:

Conexión con smartphone o tablet

1. Instalar la aplicación INGECON SUN Monitor.
2. Registrarse como instalador autorizado y acceder al icono  para conectarse localmente al inversor.
3. Seguir los pasos indicados para acceder a la aplicación web del equipo.

Conexión con ordenador

1. Conectarse a la red Wi-Fi generada por el inversor.
2. En el navegador web acceder a la aplicación web en la dirección <http://169.254.1.1>. Se deberá de registrar como instalador autorizado.
3. Acceder mediante el usuario y contraseña definidos en la etiqueta adherida en el inversor (*Default local access login*).

19.4. Conectar el inversor a una red Wi-Fi

INFO

La red de comunicación Wi-Fi a la que se desea conectar el inversor debe ser una red con una frecuencia inalámbrica de 2.4 GHz.

Ingeteam establece que el nivel mínimo de señal Wi-Fi recibida por el inversor ha de ser superior al 50% (-75 dBm) para garantizar una óptima conectividad.

En caso de querer conectar el inversor a una red Wi-Fi existente seguir los siguientes pasos:

1. Conectarse localmente al inversor (ver "[19.3. Conectar con el inversor de forma local a través de su red Wi-Fi](#)").
2. Acceder al menú Comms en la parte superior.
3. En el panel izquierdo seleccionar Wi-Fi.
4. Pulsar en *CONECTAR a red Wi-Fi*. A continuación, se mostrará un listado de las redes Wi-Fi disponibles. Seleccionar la red deseada e introducir la contraseña si procede.

INFO

En caso de que el nombre de identificación SSID de una red Wi-Fi no pueda ser mostrado al usuario, introducir el nombre de la red en el campo *Custom SSID*.

19.5. Conectar con el inversor de forma remota

Para conectar con el inversor de forma remota es necesario que esté conectado a Internet a través de una red Wi-Fi o a través de Ethernet. Una vez conectado a internet seguir los siguientes pasos:

1. Entrar al INGECON SUN Monitor.

2. Crear una planta con el *Device ID* y *Pasword* del inversor. Ambos datos aparecen en la pegatina presente en el inversor.
3. Acceder a la planta para ver la monitorización de la instalación. Además, se podrá acceder a la aplicación web del equipo.

i INFO

Tener en cuenta los siguientes requerimientos:

- El inversor debe estar conectado a una red local, que tenga salida a Internet en los puertos UDP80 (o UDP1194) y TCP8883.
- El dispositivo desde el que se realice la conexión remota debe tener salida a Internet en los puertos TCP80, TCP22 y TCP9001.

Por defecto los routers tienen abiertos los puertos necesarios para la comunicación remota. En caso contrario solicitar la apertura de estos puertos al administrador de red.

Asegurar que la puerta de enlace y la máscara de red son correctas, ya que de lo contrario el inversor no tendrá acceso a Internet. Por defecto el inversor trabaja por DHCP y no hace falta configurar estos parámetros en una red con servidor DHCP.

En caso de querer configurar el inversor con una IP fija, consultar las propiedades de configuración de red de un ordenador u otro dispositivo que se encuentre en la misma red o bien solicitarlo al administrador de red.

19.6. Monitorización del inversor

Estos inversores pueden ser monitorizados desde su aplicación web, de forma local o remota. En esta aplicación web también está disponible la visualización gráfica de los datos del inversor.

Para consultar todas las variables del inversor acceder al menú de monitorización.

Gracias al *Energy Management System (EMS)* incorporado en el inversor, la instalación se puede monitorizar remotamente vía ordenador o tablet/smartphone con la aplicación gratuita INGECON SUN Monitor, disponible tanto en Play Store como en la App Store.

19.6.1. Monitorización por Modbus-TCP

El gestor energético EMS de este inversor utiliza el protocolo Modbus-TCP. Además, la mayor parte de los sistemas SCADA basados en comunicación por Ethernet o Wi-Fi, también utilizan el protocolo Modbus-TCP de manera estandarizada.

Ingeteam recomienda solamente un único cliente conectado al puerto 502 y con un periodo de petición por Modbus-TCP al equipo no inferior a 1 segundo, no pidiendo más de 10 registros por petición. En caso contrario, no se asegura un correcto envío de los datos del inversor.

19.7. Configuración del inversor

i INFO

El acceso al menú de configuración sólo está permitido a instaladores (personal cualificado). Para ello es necesario registrarse como instalador en la aplicación web.

Ingeteam no se responsabiliza de un mal uso del usuario y contraseña de instalador.

Estos inversores en su aplicación web disponen de una configuración básica (wizard) que permite configurar de una forma básica el equipo y adaptarlo a los diferentes modos de funcionamiento. Para lanzar manualmente el wizard ir al menú *Configuración > Wizard inicialización > Lanzar configuración guiada*.

Además del wizard, estos equipos disponen de un menú de configuración avanzada para instaladores expertos.

A lo largo de este capítulo se explican las funcionalidad más relevantes que podemos realizar desde este menú.

19.7.1. Configurar el tipo de batería

⚠ ATENCIÓN

La selección del tipo de batería en el proceso de configuración se debe realizar con precaución. Ingeteam no ofrece garantía en caso de configurar erróneamente en el inversor el tipo de baterías.

Por ejemplo, si se selecciona en el inversor una batería de plomo-ácido cuando la batería realmente es de ion-litio, ésta puede verse dañada.

Estos inversores pueden trabajar con baterías de plomo-ácido y con baterías de ion-litio.

Baterías de plomo-ácido

Para que las baterías de plomo-ácido funcionen correctamente y se eviten con seguridad sobrecargas y descargas completas, es necesario configurar varios parámetros relativos al modelo de batería instalado. Para ello acceder a *Configuración > Ajustes avanzados > Parámetros Batería Plomo-Ácido*.

⚠ ATENCIÓN

Una mala configuración de estos parámetros puede reducir la vida de la batería. Ingeteam no se hace responsable de las consecuencias derivadas de una incorrecta configuración del equipo por parte del usuario y/o instalador.

Parámetro	Descripción
Tensión Nominal	Tensión nominal del banco de baterías (V).
Tensión mínima	Tensión mínima del banco de baterías para evitar descargas completas, parando incluso el suministro hacia los consumos desde las baterías (V).
Temporización Tensión Mínima	Duración de la tensión mínima del banco de baterías. Tiempo que debe mantenerse el banco de baterías a la tensión mínima para evitar descargas completas (segundos).
Capacidad (C20h)	Capacidad C20 especificado por el fabricante de la batería (Ah). Este parámetro es usado para determinar con precisión el estado de carga de la batería (SOC).
Capacidad (C5h)	Capacidad C5 especificado por el fabricante de la batería (Ah). Este parámetro es usado para determinar con precisión el estado de carga de la batería (SOC).
Corriente Máxima de Carga	Máxima corriente de carga del banco de baterías (A).
Corriente Máxima de Descarga	Máxima corriente de descarga del banco de baterías (A).
Tensión de Absorción	Tensión de absorción del banco de baterías (V). Permite realizar una carga a tensión constante a las baterías.
Tensión de Flotación	Tensión de flotación del banco de baterías (V). Permite realizar una carga completa a las baterías.
Tensión de Ecuilibración	Tensión de ecuilibración del banco de baterías (V). Este parámetro es usado cuando se necesita realizar mantenimiento a las baterías de electrolito líquido. Consultar con el fabricante de la batería acerca de este parámetro (ver "19.13. Realizar una carga de ecuilibración a las baterías").
Duración de la carga de Ecuilibración	Duración de la carga de ecuilibración. Tiempo que debe mantenerse el banco de baterías a la tensión de ecuilibración (minutos).

Para evitar sobrecargas y cargas incompletas de la batería de plomo-ácido, estos inversores permiten monitorizar la temperatura de la batería a través del Kit opcional de sensor de temperatura PT-100 (ver apartado ["9. Conexión del Kit opcional del sensor de temperatura PT-100 para baterías de plomo-ácido"](#)). Este kit permite adaptar en todo momento la tensión de carga a la temperatura actual de la batería. Para ello se ha de instalar dicho kit y un sensor PT-100, y configurar el inversor, activando la compensación automática de la temperatura.

A temperaturas iguales o superiores a 20 °C, el inversor disminuye la tensión de carga de la batería. A temperaturas por debajo de 20 °C, el inversor aumenta la tensión de carga de la batería. Para modificar la constante de compensación en mV/°C/Celda y/o activar la compensación automática de la temperatura, acceder a *Configuración > Ajustes avanzados > Parámetros Batería Plomo-Ácido*.

Parámetro	Descripción
Modo	Permite activar o desactivar la compensación automática de temperatura de las baterías de plomo-ácido.

Parámetro	Descripción
Compensación de temperatura	Temperatura de compensación de una celda, en $-mV/^{\circ}C/Cell$. Consultar el datasheet de la batería. El valor por defecto es de $-4 mV/^{\circ}C/Cell$.

Baterías de ion-litio

Las baterías de ion-litio adecuadas para funcionar con el INGECON SUN STORAGE 1Play cuentan con su propia gestión avanzada de baterías, habitualmente programada por el fabricante e integrada en las baterías (BMS). Ingeteam no puede influir de ninguna manera en el modo de funcionamiento de esta gestión avanzada de baterías externa.

INFO

Para ampliar información sobre las baterías de ion-litio compatibles consultar la “Lista de baterías de ion-litio aprobadas para el INGECON SUN STORAGE 1Play TL M”, disponible en la web de Ingeteam.

Si el modelo de baterías no se encuentra en la lista consultar con Ingeteam.

19.7.2. Configurar el inversor para trabajar únicamente con campo fotovoltaico, sin baterías

Estos inversores pueden trabajar únicamente desde el campo fotovoltaico, sin usar la entrada de baterías. Para ello:

1. Ir a *Configuración > Ajustes avanzados > Modelo de Batería*.
2. Seleccionar como *No Configurada*.

En este modo de funcionamiento, si la red está disponible, el inversor se mantiene conectado incluso con baja potencia fotovoltaica. Esto permite tener el equipo encendido y así poder monitorizar la instalación en todo momento.

Para desactivar esta funcionalidad acceder a *Configuración > Ajustes avanzados > Otros ajustes > Desconexión por baja potencia FV*.

19.7.3. Configurar el modo de operación y sus parámetros

Estos inversores pueden ser utilizados tanto en instalaciones aisladas como en instalaciones conectadas a red.

INFO

Para ampliar información sobre este tipo de instalaciones consultar la “Guía técnica para instalaciones con INGECON SUN STORAGE 1Play TL M”, disponible en la web de Ingeteam.

Dependiendo del tipo de instalación en la que el inversor va a ser utilizado el modo de operación es diferente. Para seleccionar el tipo de modo acceder a *Configuración > Ajustes avanzados > Modo de Operación*.

Parámetro	Descripción
Aislado	El inversor genera una red alterna aislada y actúa como gestor de la red, garantizando el equilibrio entre la generación fotovoltaica, el consumo y las baterías. Permite la conexión de un generador auxiliar para cargar las baterías en caso de déficit de energía.
UPS	Este modo de funcionamiento ha sido concebido para sistemas conectados a la red de distribución, donde las caídas de la red son frecuentes y prolongadas. Durante una caída de red, la energía almacenada en las baterías se usa para alimentar a las cargas. Para ello, mientras la red esté presente, las baterías se mantienen cargadas y la energía fotovoltaica se utiliza para abastecer los consumos, reduciendo el consumo de energía desde la red. La inyección a red de excedentes fotovoltaicos es configurable por el usuario.
Autoconsumo	El inversor gestiona los flujos de energía dentro de la instalación para minimizar el consumo desde la red de distribución y aumentar el autoabastecimiento. En este modo de funcionamiento es posible activar la funcionalidad adicional <i>Battery-Back Up</i> . Con esta funcionalidad, ante una caída de la red de distribución, el inversor proporciona la energía necesaria a las cargas críticas desde las baterías y fotovoltaica. La inyección a red de excedentes fotovoltaicos y la programación horaria de carga de baterías desde la red es configurable por el usuario.

Una vez seleccionado el modo de operación del inversor, es necesario configurar los siguientes parámetros:

Modo de operación: Aislado	
Parámetro	Descripción
SOC Max	Estado de carga máximo para cargar las baterías desde la energía fotovoltaica (%).
SOC Off	Estado de carga máximo para cargar las baterías desde el generador. Además, desconecta el generador si ha sido arrancado por SOC On (%).
SOC On	Estado de carga mínimo para arrancar el generador auxiliar (%).
SOC Recx	Estado de carga por encima del cual se reinicia el suministro de energía a las cargas, una vez que se viene desde SOC Descx (%).
SOC Descx	Estado de carga por debajo del cual se detiene el suministro de energía a las cargas (%).

Modo de operación: UPS	
Parámetro	Descripción
SOC Max	Estado de carga máximo para cargar las baterías desde la energía fotovoltaica (%).
SOC Grid	Estado de carga máximo para cargar las baterías desde la red pública (%).
SOC Recx	Estado de carga por encima del cual se reinicia el suministro de energía a las cargas críticas, una vez que se viene desde SOC Descx(%).
SOC Descx	Estado de carga por debajo del cual se detiene el suministro de energía a las cargas críticas cuando la red no está disponible (%).

Modo de operación: Autoconsumo	
Parámetro	Descripción
SOC Max	Estado de carga máximo para cargar las baterías desde la energía fotovoltaica (%).
SOC Recovery	Estado de carga por encima del cual se reanuda la descarga de la batería, una vez que se viene desde SOC Min. Se evita un ciclado excesivo de la batería alargando su vida útil.
SOC Min	Estado de carga por debajo del cual no se permite la descarga de la batería cuando la red está disponible. Es necesario alcanzar SOC Recovery para reanudar el autoconsumo con aporte de batería.
Battery-Backup	Ante una caída de la red, se suministra la energía necesaria a las cargas críticas desde las baterías y fotovoltaica. Si se activa esta funcionalidad es necesario configurar los parámetros SOC Recx y SOC Descx.
SOC Recx	Estado de carga por encima del cual se reinicia el suministro de energía a las cargas críticas, una vez que se viene desde SOC Descx (%).
SOC Descx	Estado de carga por debajo del cual se detiene el suministro de energía a las cargas críticas cuando la red no está disponible y la función <i>Battery-Backup</i> está activada (%).

19.7.4. Configurar la normativa en instalaciones de conexión a red

En instalaciones conectadas a la red de distribución estos inversores deben trabajar según la normativa aplicable en la instalación.

Para seleccionar la normativa aplicable acceder a *Configuración > Ajustes avanzados > Configuración de la Red*.

Tras configurar la normativa configurar la tensión y frecuencia nominal. Para ello acceder a *Configuración > Ajustes avanzados > Tipo de Instalación AC*.

Parámetro	Descripción
Tensión Nominal	Tensión nominal de la red AC (V).
Frecuencia Nominal	Frecuencia nominal de la red AC (Hz).

19.7.5. Configurar el sistema de puesta a tierra TT/TN

PELIGRO

Antes de proceder con la configuración del sistema de puesta a tierra identificar correctamente la conexión del cable neutro de la red en el equipo (ver [“11. Conexión de la red/generador auxiliar”](#)). La conexión del neutro debe tener concordancia con la configuración del sistema de puesta a tierra.

Estos inversores incorporan de serie un relé para la conexión a tierra del neutro de las cargas críticas en instalaciones con régimen de neutro TT.

Por defecto están configurados con el sistema de puesta a tierra TT. Esto significa que cuando el equipo trabaja en modo aislado o sin red, en los modos UPS y Autoconsumo, el inversor conecta el cable neutro de las cargas críticas a la tierra de la instalación. De este modo, un defecto a tierra en las cargas críticas será detectado y protegido mediante el interruptor diferencial de la instalación.

Para instalaciones con régimen de neutro TN, es necesario cambiar el sistema de puesta a tierra del inversor desde *Configuración > Ajustes avanzados > Tipo de Instalación AC > Régimen de neutro*.

En sistemas TN, el inversor mantendrá conectado en todo momento el cable neutro de las cargas críticas con el neutro de la red de distribución, tanto en el modo aislado como conectado a la red.

19.7.6. Configurar la carga de baterías desde la red de distribución

En instalaciones conectadas a la red de distribución estos inversores pueden ser configurados para cargar las baterías desde esta red. En función del tipo de instalación la configuración será diferente.

Instalaciones UPS

En instalaciones UPS, las baterías serán cargadas desde la red hasta alcanzar el estado de carga SOC Grid (ver apartado [“19.7.3. Configurar el modo de operación y sus parámetros”](#)). Para ello hay que establecer una potencia máxima de carga de baterías:

1. Acceder a *Configuración > Ajustes avanzados > Modo de Operación > Potencia máxima de carga de baterías desde Red*.
2. Introducir la potencia máxima en vatios. En caso de no desear cargar las baterías desde la red, introducir 0 vatios.

Además, es importante definir la potencia contratada de la instalación para que el inversor optimice la carga de la batería. Para establecer la potencia contratada:

1. Ir a *Configuración > Ajustes avanzados > Configuración de la Red > Potencia Contratada*.
2. Introducir la potencia contratada en vatios.

Finalmente, la carga de las baterías se realizará con la potencia menor entre:

- Potencia Máxima de Carga.
- La diferencia entre la Potencia Contratada y el Consumo de las Cargas Críticas.

Instalaciones de autoconsumo

En instalaciones de Autoconsumo, el inversor permite gestionar diariamente la carga de las baterías desde la red hasta alcanzar el estado de carga *SOC Grid*. Para ello es necesario establecer una potencia máxima de carga de batería:

1. Acceder a *Configuración > Ajustes avanzados > Modo de Operación > Potencia máxima de carga de baterías desde Red*.
2. Introducir la potencia máxima en vatios. En caso de no desear cargar las baterías desde la red, introducir 0 vatios.

Además es importante definir la potencia contratada de la instalación para que el inversor optimice la carga de la batería. Para establecer la potencia contratada:

1. Acceder a *Configuración > Ajustes avanzados > Configuración de la Red > Potencia Contratada*
2. Introducir la potencia contratada en vatios.

La carga de las baterías se realizará con la potencia menor entre:

- Potencia Máxima de Carga.
- La diferencia entre la Potencia Contratada y el Consumo de las Cargas Críticas.

Por otro lado, se establece una programación horaria para la carga de batería desde red. Para activar la programación horaria acceder a *Configuración > Ajustes avanzados > Parámetros Autoconsumo > Programación Horaria: Carga de batería desde Red* y definir los siguientes parámetros:

Parámetro	Descripción
Modo	Permite activar o desactivar la programación horaria de carga de baterías.
SOC Grid (%)	Estado de carga máximo para cargar las baterías desde la red pública (%).
Hora On	En una programación horaria de tipo hh:mm, establece la hora de inicio (hh) de la franja horaria en la que se permite la carga de baterías.
Minuto On	En una programación horaria de tipo hh:mm, establece el minuto de inicio (mm) de la franja horaria en la que se permite la carga de baterías.
Hora Off	En una programación horaria de tipo hh:mm, establece la hora de fin (hh) de la franja horaria en la que se permite la carga de baterías.
Minuto Off	En una programación horaria de tipo hh:mm, establece el minuto de fin (mm) de la franja horaria en la que se permite la carga de baterías.

19.7.7. Configurar la potencia máxima de inyección de excedente fotovoltaico a la red de distribución

En instalaciones conectadas a red estos inversores pueden ser configurados para inyectar la potencia fotovoltaica sobrante a la red de distribución. De este modo es posible vender los excedentes de energía fotovoltaica de forma automática y sencilla.

Para establecer la potencia fotovoltaica máxima de inyección a la red:

1. Ir a *Configuración > Ajustes avanzados > Modo de Operación > Potencia máxima de inyección de excedente FV a Red*.
2. Introducir la potencia máxima en vatios. En caso de no desear inyectar potencia fotovoltaica sobrante en la red, introducir 0 vatios.

El inversor utiliza la energía fotovoltaica de manera prioritaria para abastecer los consumos y cargar la batería. Si hay excedente de energía fotovoltaica, a través de este parámetro, el usuario puede decidir si se inyecta a la red de distribución o se limita la producción fotovoltaica.

19.7.8. Configurar la función Battery-Backup en instalaciones de autoconsumo

En instalaciones de autoconsumo estos inversores permiten realizar la funcionalidad de Battery-backup. En caso de fallo de la red de distribución, estos inversores desacoplan internamente la instalación de la red de distribución y proporcionan la energía necesaria a los consumos desde las baterías y desde el campo fotovoltaico. Para ello, los consumos deben estar conectados al inversor en la salida de cargas críticas (consultar ["10. Conexión de las cargas críticas"](#)).

Por defecto, esta funcionalidad está desactivada. Para activarla acceder a *Configuración > Ajustes avanzados > Modo de Operación > Parámetros Autoconsumo > Función Battery-Backup*.

El tiempo de respuesta del sistema ante una caída de red es imperceptible para la mayor parte de los consumos.

Solamente en los sistemas de puesta a tierra TT el inversor, mediante su relé interno, conectará automáticamente el neutro de las cargas críticas a tierra ante una caída de red.

INFO

Para ampliar información sobre este tipo de instalaciones consultar la "Guía técnica para instalaciones con INGECON SUN STORAGE 1Play TL M", disponible en la web de Ingeteam.

En caso de no usar la salida de cargas críticas del inversor, se recomienda desactivar la función Battery-backup. De este modo, ante un fallo de la red de distribución el equipo se mantendrá parado para evitar la descarga de la batería.

19.7.9. Configurar el generador auxiliar en instalaciones aisladas

En instalaciones aisladas estos inversores pueden trabajar con un generador auxiliar de apoyo que se conecta en caso de déficit de energía y/o para cargar la batería.

Para configurar los parámetros del generador acceder a *Configuración > Ajustes avanzados > Configuración del Generador* e introducir los parámetros del generador.

Parámetro	Descripción
Potencia Aparente Nominal	Potencia aparente nominal del grupo diésel (VA). Con este parámetro el inversor estima la potencia disponible para cargar las baterías teniendo en cuenta el consumo de la instalación desde el generador.
Tensión Mínima AC	Tensión AC mínima que genera el grupo diésel (V).
Tensión Máxima AC	Tensión AC máxima que genera el grupo diésel (V).
Frecuencia Mínima AC	Frecuencia mínima que genera el grupo diésel (Hz).
Frecuencia Máxima AC	Frecuencia máxima que genera el grupo diésel (Hz).
Tiempo Vac/Fac	Tiempo que debe mantenerse fuera de rango Vac y Fac para desconectar el generador (ms).

El arranque automático del generador puede ser ordenado mediante comando por una salida digital del inversor. Para ello la salida digital debe configurarse como *Marcha/Paro Generador* (consultar [“19.7.12. Configurar las salidas digitales”](#)). Las opciones disponibles para arrancar el generador auxiliar a través del inversor son:

Opción	Descripción
Estado de carga de la batería (SOC)	Permite encender el generador una vez que el estado de carga alcanza el parámetro SOC On o cuando la tensión de la batería está por debajo de su tensión mínima. El generador es apagado una vez que el estado de carga alcanza el parámetro SOC Off y cuando la tensión de la batería está por encima de su tensión nominal. Esta opción está siempre activada por defecto y no puede ser desactivada.
Programación horaria	Activando esta funcionalidad el generador se encenderá o apagará diariamente en un rango de horas definido.
Sobrecarga en la red de consumo	Activando esta funcionalidad se encenderá o apagará el generador según la potencia consumida por las cargas durante un tiempo determinado.
Manualmente	Permite encender/apagar el generador de forma manual e inmediata. El generador permanecerá arrancado hasta que se ordene su desconexión por esta misma vía.
Sobrecarga en la batería	Permite encender el generador una vez que se ha determinado una sobrecarga en la batería. Se considera que hay una sobrecarga en la batería cuando se supera dos veces consecutivas la corriente máxima de descarga de la batería. El generador es apagado una vez que el estado de carga alcanza el parámetro SOC Off. Esta opción está siempre activada por defecto y no puede ser desactivada.
Baja tensión AC en la red de consumo	Permite encender el generador una vez que se ha determinado que el inversor no puede generar una tensión AC óptima en la salida de cargas. (ver parámetro <i>Límite Vac L1</i> en “19.7.11. Configurar la protección de sobrecarga y cortocircuito en la salida de cargas críticas”). El generador es apagado una vez que el estado de carga alcanza el parámetro SOC Off. Esta opción está siempre activada por defecto y no puede ser desactivada.

19.7.10. Configurar la carga baterías desde el generador

Para cargar las baterías desde el generador auxiliar hay que establecer una potencia máxima de carga de baterías. Para configurar este parámetro:

1. Ir a *Configuración > Ajustes avanzados > Modo de Operación > Potencia máxima de carga de baterías desde Red*.
2. Introducir la potencia máxima en vatios. En caso de no desear cargar las baterías desde el generador, introducir 0 vatios.

De este modo, siempre que el inversor esté conectado al generador las baterías serán cargadas hasta alcanzar el estado de carga SOC Off y hasta que la tensión de la batería está por encima de su tensión nominal.

La potencia de carga de las baterías se realizará con la potencia menor entre:

- Potencia Máxima Carga.
- Diferencia entre la Potencia Nominal Generador y los Consumos.

19.7.11. Configurar la protección de sobrecarga y cortocircuito en la salida de cargas críticas

En instalaciones aisladas y en instalaciones conectadas a la red de distribución con la función Battery-backup activada, estos equipos permiten proteger la salida de cargas críticas ante sobrecargas y cortocircuitos.

Para ello se deben definir los siguientes parámetros en *Configuración > Ajustes avanzados > Parámetros Cargas Críticas*.

Parámetro	Descripción
Límite Vac L1	Límite mínimo de tensión AC que genera el inversor (%Vnom · 10). Por debajo de este límite se considera una tensión AC anómala para las cargas críticas.
Tiempo Vac L1	Tiempo que debe mantenerse la tensión AC que genera el inversor por debajo del límite Vac L1 para desconectar las cargas críticas (ms).
Sobrecarga en las cargas críticas	Permite desconectar las cargas críticas si se ha detectado 3 veces consecutivas una sobrecarga AC (ver Potencia 30 min, 2 min, 3 s en "2.4. Tabla de características"). Por defecto el inversor se mantendrá parado hasta eliminar la sobrecarga. Una vez eliminada será necesario hacer un Reset del inversor.
Cortocircuito en las cargas críticas	Permite desconectar las cargas críticas si se ha detectado 3 veces consecutivas un cortocircuito AC. Por defecto el inversor se mantendrá parado hasta eliminar el fallo. Una vez eliminado será necesario hacer un Reset del inversor.

19.7.12. Configurar las salidas digitales

Estos inversores disponen de varias salidas libres de potencial las cuales pueden tener las siguientes funcionalidades:

Opción	Descripción	Estado del contacto libre de potencial normalmente abierto (NO)
No Configurada	Sin tarea asignada (opción por defecto)	ABIERTO
Marcha/Paro Generador	Señal de activación del generador auxiliar	Apagar el generador: ABIERTO Encender el generador: CERRADO
On/Off por Comunicaciones	Control de la salida digital mediante comunicaciones.	Off: ABIERTO On: CERRADO
Conectado a red	Señal para indicar que el inversor está conectado a la red o generador auxiliar.	Desconectado: ABIERTO Conectado: CERRADO

Para configurar las salidas digitales acceder a *Configuración > Ajustes avanzados > Salidas/Entradas Digitales*.

19.7.13. Configurar las entradas digitales

Estos inversores disponen de una entrada DRMO para el mercado australiano y dos entradas digitales, las cuales pueden tener las siguientes funcionalidades:

Opción	Descripción	Estado del contacto libre de potencial / Nivel de tensión
No Configurada	Sin tarea asignada (opción por defecto)	ABIERTO / Nivel alto
Marcha/Paro Inversor	Pone en funcionamiento o para el inversor	Poner en marcha: ABIERTO / Nivel alto Parar: CERRADO / Nivel bajo
Conectar a generador	Para conectar el inversor a la red o generador auxiliar.	No conectar: ABIERTO / Nivel alto Conectar: CERRADO / Nivel bajo
No Descargar Batería	Funcionalidad para inhibir la descarga de la batería mediante la entrada digital.	No Permite Descargar: Cortocircuitada / Nivel Bajo Permite Descargar: Abierta / Nivel Alto

Para activar la funcionalidad de la entrada DRMO hay que tener en cuenta que solamente se debe configurar para el uso con el dispositivo DRED, exigido por la normativa AS4777 (Australia).

Si se configura sin la conexión del dispositivo externo DRED, el inversor se mantendrá en paro.

Para configurar las entradas digitales acceder a *Configuración > Ajustes avanzados > Salidas/Entradas Digitales*.

19.7.14. Configurar un horario para la descarga de baterías

Estos inversores pueden ser configurados para descargar las baterías en un horario predeterminado. Durante el horario de descarga es posible que la batería sea cargada desde los paneles fotovoltaicos para aprovechar al máximo la generación solar. Además, en las horas que no se usen las baterías el sistema cogerá energía de los paneles fotovoltaicos y el restante de la red pública.

Para activar el horario de descarga acceder a *Configuración > Ajustes avanzados > Parámetros Autoconsumo > Programación Horaria: Descarga de batería* y definir los siguientes parámetros:

Opción	Descripción
Modo	Permite activar o desactivar la programación horaria de descarga de baterías.
Hora On	En una programación horaria de tipo hh:mm, establece la hora de inicio (hh) de la franja horaria en la que se permite la carga de baterías.
Minuto On	En una programación horaria de tipo hh:mm, establece el minuto de inicio (mm) de la franja horaria en la que se permite la carga de baterías.
Hora Off	En una programación horaria de tipo hh:mm, establece la hora de fin (hh) de la franja horaria en la que se permite la carga de baterías.
Minuto Off	En una programación horaria de tipo hh:mm, establece el minuto de fin (mm) de la franja horaria en la que se permite la carga de baterías.

Las baterías se descargarán hasta alcanzar el valor de *SOCmin* configurado.

19.7.15. Configurar modos de dar servicios de calidad a la red

Estos inversores pueden contribuir a mantener la calidad de la energía en el punto de conexión o dar soporte a una red. La intención de los modos de respuesta de voltaje es variar la potencia de salida del inversor en función del voltaje en sus terminales.

Los modos de dar servicio de calidad a la red son los siguientes:

- Algoritmo Pac vs Fac
- Algoritmo Pac vs Vac
- Algoritmo Qac vs Vac

Para obtener más información, consultar la *Descripción y configuración de la Guía de parámetros de operación* que describe cómo establecer los parámetros de los algoritmos y ajustarlos si es necesario. Para descargar la guía contactar con el Soporte Técnico.

19.8. Uso del vatímetro interno del inversor o del vatímetro externo

Estos equipos pueden ser utilizados en distintos tipos de instalaciones con distintos tipos de cargas (críticas y/o no críticas). Dependiendo de qué tipo de cargas existan en la instalación se usará el vatímetro interno del inversor o un vatímetro externo.

El uso del vatímetro interno del inversor solamente permite la gestión de las cargas conectadas en la salida de cargas críticas del equipo. Es decir, solamente la gestión de cargas críticas.

El uso de un vatímetro externo permite gestionar tanto las cargas críticas conectadas al inversor como las cargas no críticas conectadas en la red de distribución.

INFO

Para ampliar información sobre los vatímetros externos compatibles consultar la “Lista de vatímetros compatibles para el INGECON SUN STORAGE 1Play TL M”, disponible en la web de Ingeteam. Si el modelo de vatímetro no se encuentra en la lista consultar con Ingeteam. Además, es necesario que los vatímetros que aparece en dicha lista estén configurados con un BaudRate de 9600.

Instalaciones aisladas

En instalaciones aisladas se usa el vatímetro interno del equipo. Todas las cargas que se gestionan están conectadas en la salida de cargas críticas del inversor.

Instalaciones UPS

En instalaciones UPS se usa el vatímetro interno del equipo. Las cargas que se gestionan están conectadas en la salida de cargas críticas del inversor. Las cargas no críticas conectadas en la parte de la red no serán gestionadas por el inversor.

Instalaciones de autoconsumo

En instalaciones de autoconsumo, normalmente se usa un vatímetro externo ubicado en el punto de conexión con la red. De este modo permite al inversor tener gestión de todas las cargas existentes en la instalación, tanto críticas como no críticas.

Solamente en el caso de que todas las cargas estén conectadas en la salida de cargas críticas del inversor, se podrá usar el vatímetro interno del equipo.

19.9. Actualizar el firmware del inversor

La forma más sencilla de actualizar el firmware del inversor es a través de la aplicación web, disponiendo de conexión a internet.

En caso de no disponer de conexión a internet también es posible actualizar a través de la propia aplicación web o desde el puerto USB del equipo.

Actualización a través de la aplicación web, con conexión a internet

INFO

Para realizar este proceso es necesario que el inversor esté conectado a Internet a través de una red Wi-Fi o a través de Ethernet.

1. Acceder a la aplicación web a través del navegador del dispositivo (ver [“19.5. Conectar con el inversor de forma remota”](#)).
2. Entrar en el menú *Actualización*. En caso de existir actualizaciones disponibles aparecerá indicado.
3. Instalar la actualización.

Actualización a través de la aplicación web, sin conexión a internet

INFO

Para realizar este proceso es necesario que el archivo de firmware ABH1007 haya sido descargado previamente desde la web de Ingeteam.

1. Acceder a la aplicación web a través del navegador del dispositivo (ver [“19.3. Conectar con el inversor de forma local a través de su red Wi-Fi”](#)).
2. Entrar en el menú *Actualización*.
3. Seleccionar el archivo de firmware previamente descargado.
4. Instalar la actualización.

Actualización a través del puerto USB

ATENCIÓN

Este procedimiento solamente puede ser realizado por un instalador autorizado.

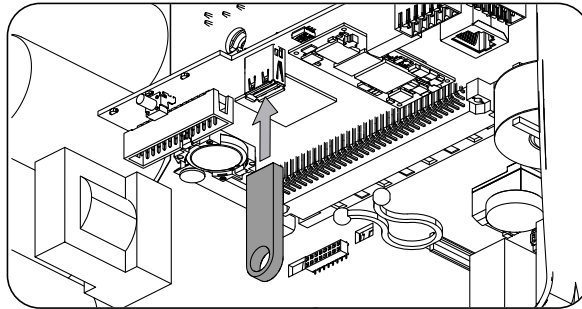
Antes de comenzar el proceso de actualización de firmware a través del puerto USB asegurar la no existencia de tensión en el inversor. Comprobar que las protecciones de la red/generador, de las cargas críticas, del sistema de almacenamiento y del campo fotovoltaico se encuentran abiertas.

No alimentar el equipo hasta que se haya cerrado su tapa.

i INFO

Para realizar este proceso es necesario que el archivo de firmware ABH1007 haya sido descargado previamente desde la web de Ingeteam.

1. Apagar el equipo tal y como se indica en el apartado [“21.1. Proceso de desconexión del equipo”](#).
2. Abrir la tapa del equipo.
3. Conectar el dispositivo USB. El USB deberá de contener solamente el archivo de firmware previamente descargado.



4. Cerrar la tapa del equipo.
5. Alimentar el equipo desde el banco de baterías y/o desde el campo fotovoltaico.
6. La actualización se iniciará automáticamente. El LED azul parpadeará de forma rápida durante el proceso de actualización.
7. Una vez terminada la actualización (fin del parpadeo rápido del LED azul), apagar de nuevo el equipo desconectando todas las alimentaciones DC y AC.
8. Abrir la tapa del equipo y desconectar el dispositivo USB.
9. Cerrar la tapa y poner en marcha el equipo.

19.10. Restaurar los valores de fábrica de la configuración del inversor

i INFO

Es necesario ser instalador autorizado para realizar la restauración.

Esta restauración a valores de fábrica solo afecta a la configuración del inversor, por lo que la configuración de la comunicación Wi-Fi o Ethernet no se restauran siguiendo este proceso.

Si se desea restaurar los valores de fábrica de la configuración del inversor seguir los siguientes pasos:

1. Acceder a la aplicación web a través del navegador del dispositivo.
2. Entrar en el menú Configuración.
3. Pulsar sobre *Restaurar configuración de fábrica* para restablecer toda la configuración del inversor a los valores de fábrica.

A continuación, seguir el asistente para poner en marcha el inversor.

19.11. Motivos de limitación de potencia del inversor

Ocasionalmente el inversor puede reducir la potencia AC de salida debido a diferentes motivos. En caso de que el equipo esté conectado a una red o generador auxiliar y exista una reducción de potencia se indicará el motivo más restrictivo de la limitación en la monitorización del inversor.

A continuación, se explican los diferentes motivos de limitación de potencia.

Motivos para la limitación de potencia		
Motivo	Código enviado por comunicaciones	Descripción
Potencia de Batería limitada	9	Baterías. Limitación por estado de carga o configuración del sistema de almacenamiento.
Autoconsumo	11	Modo Autoconsumo. Limitación debida al funcionamiento del modo autoconsumo.
Potencia de Red limitada	10	Potencia disponible. Limitación de la carga de baterías desde la red/generador debido a la potencia disponible. Esta potencia es calculada con la potencia nominal en caso del generador o la contratada en caso de la red menos la potencia consumida por las cargas.
Algoritmo Pac vs Fac	4	Frecuencia de red. Limitación debido a la variación de la frecuencia de la red. Aplicable según normativa seleccionada.
Rampa de arranque	5	Rampa de conexión inicial. Limitación tras una reconexión a red. Aplicable según normativa seleccionada.
Protección Alta de tensión de BUS	12	Bus DC. Limitación debido a la alta tensión del bus DC interno.
Proceso LVRT o HVRT	13	Huecos en la red. Limitación debido a huecos en la tensión de red. Aplicable según normativa seleccionada.
Potencia de carga configurada	6	Configuración. Limitación de la carga de baterías desde la red/generador, definida a través de la configuración de usuario.
Protección consumo desde Red	15	Consumo de red. Limitación debido al consumo de potencia desde la red en los casos de trabajar sin baterías (solo campo fotovoltaico) o cuando las baterías no pueden absorber energía.
Inyección del excedente FV a Red	16	Excedente fotovoltaico. Limitación de la inyección del excedente fotovoltaico a la red por la configuración.
Corriente Nominal AC	14	Potencia aparente. Limitación debido a la potencia aparente nominal del equipo.
Inyección del excedente FV a las cargas	7	Limitación de la inyección del excedente fotovoltaico a las cargas debido al funcionamiento del modo UPS o aislado.
Temperatura	2, 3	Temperatura. Limitación por temperatura elevada en el equipo.
Algoritmo Pac vs Vac	8	Tensión de red. Limitación debido a la variación de la tensión de red. Aplicable según normativa seleccionada.
Comunicación	1	Limitación producida por envío de consigna a través de comunicaciones.

19.12. Carga automática de emergencia de la batería

Es necesario realizar una carga de emergencia cuando la instalación se encuentre parada debido a una descarga total de las baterías.

Esta funcionalidad permite cargar las baterías hasta un cierto nivel y tener suficiente energía para restablecer de nuevo el sistema.

Para que el equipo realice una carga de emergencia es imprescindible que las baterías se encuentren en alguno de los estados siguientes:

- Bajo nivel de carga, $SOC \leq SOC_{descx}$. (Code3 “Low Battery SOC Descx”).
- Tensión baja, $V_{bat} \leq V_{min}$. (Code2 “Low Battery Vmin”).
- En baterías de ion-litio cuando por parte del BMS se requiere una carga forzada debido a que la batería esta completamente descargada.

Estos inversores pueden cargar las baterías desde distintas fuentes de energía. Dependiendo de la fuente de energía que esté disponible, la carga de emergencia será activada automáticamente por el inversor.

Fuente de energía disponible	Descripción
Entrada fotovoltaica del INGECON SUN STORAGE 1Play TL M	El inversor detecta el campo fotovoltaico y comienza automáticamente la carga de las baterías. El estado del inversor indicará <i>Carga Emergencia desde FV</i> . La instalación se restablecerá cuando las baterías alcancen el estado de carga SOC_{recx} configurado (ver “19.7.3. Configurar el modo de operación y sus parámetros”).

Fuente de energía disponible	Descripción
Red o generador auxiliar	<p>El inversor detecta tensión y frecuencia en la entrada de red AC y se conecta a ella automáticamente. El estado del inversor indicará <i>Carga Emergencia desde Red</i>.</p> <p>La instalación se restablece inmediatamente y comienza la carga de las baterías desde la entrada de red AC.</p> <p>Aunque no esté permitida la carga de baterías desde la red (ver "19.7.6. Configurar la carga de baterías desde la red de distribución"), durante la carga de emergencia el inversor cargará las baterías con al menos 400 W desde la red de distribución.</p>

19.13. Realizar una carga de ecualización a las baterías

Para baterías de plomo-ácido con electrolito líquido el fabricante recomienda realizar cada cierto tiempo una carga de ecualización.

Durante la carga de ecualización, el inversor iguala el estado de carga de las celdas y compensa la estratificación del electrolito. De este modo se evita el fallo prematuro de celdas individuales y prolonga la vida útil de la batería. Este proceso produce gasificación por lo que es necesaria una correcta ventilación de las baterías.

Antes de realizar manualmente una carga de ecualización, es necesario consultar con el fabricante de las baterías los parámetros de tensión de carga y duración de la misma.

ATENCIÓN

Una mala configuración de estos parámetros puede reducir la vida de la batería. Ingeteam no se hace responsable de las consecuencias derivadas de una incorrecta configuración del equipo por parte del usuario y/o instalador.

Para configurar los parámetros en el equipo acceder a *Configuración > Ajustes avanzados > Parámetros Batería Plomo-Ácido*.

Parámetro	Explicación
Tensión de Ecualización	Tensión de carga de ecualización del banco de baterías, especificado por el fabricante de baterías (V).
Duración de la carga de Ecualización	Duración de la carga de ecualización del banco de baterías, especificado por el fabricante de baterías (minutos).

La carga de ecualización se debe activar manualmente a través del display. Para ello acceder a *Configuración > Comandos > Iniciar Carga de Ecualización*.

El proceso de carga de ecualización finalizará automáticamente una vez pasado el tiempo configurado. Si se desea abortar el proceso antes del tiempo configurado se deberá de parar manualmente en *Configuración > Comandos > Parar Carga de Ecualización*.

19.14. Realizar un test de ventilación

Temporalmente es necesario comprobar el correcto funcionamiento de los ventiladores externos e interno del equipo. Estos equipos cuentan con la posibilidad de realizar un test de ventilación.

Para realizar el test de ventilación acceder a *Mantenimiento > Test Ventiladores*. Los ventiladores del equipo comenzarán a girar durante aproximadamente 15 segundos. Pasado este tiempo el test se desactiva automáticamente. En caso de que uno o varios de los ventiladores no giren se mostrará el resultado en el test:

- Code1 0x0008 "fallo en ventilador interno".
- Code1 0x0010 "fallo en ventilador externo".

Si todos los ventiladores giran el resultado del test será positivo.

INFO

El test de ventilación comprueba únicamente el giro de los ventiladores. Un test de ventilación positivo, por sí solo, no indica que el estado del sistema de ventilación sea correcto. Para asegurar el correcto funcionamiento del sistema de ventilación se deberá comprobar, de forma añadida, que no existan elementos que dificulten el paso del aire y que los ventiladores estén correctamente instalados.

19.15. Calibrar las baterías de ion-litio

⚠ ATENCIÓN

Una mala configuración de estos parámetros puede reducir la vida de la batería. Ingeteam no se hace responsable de las consecuencias derivadas de una incorrecta configuración del equipo por parte del usuario y/o instalador.

Ingeteam recomienda realizar periódicamente una calibración de las baterías de ion-litio.

El objetivo es igualar el estado de carga de todas las celdas (SOC) evitando el fallo prematuro de celdas individuales, prolongando así la vida útil de la batería.

Este proceso consta de dos partes:

1. Proceso de carga completa de la batería. El estado de la batería indicará *Calibración - Cargando*.
2. Proceso de descarga de la batería. El estado de la batería indicará *Calibración - Descargando*.

Durante el proceso de calibración los parámetros configurados en el apartado "[19.7.3. Configurar el modo de operación y sus parámetros](#)", no serán aplicados. Además, aunque no esté permitida la carga de baterías desde la red (ver "[19.7.6. Configurar la carga de baterías desde la red de distribución](#)"), si la calibración lo requiere el inversor cargará las baterías con al menos 400 W desde la red de distribución.

El proceso de calibración finalizará automáticamente cuando el BMS determine que todas las celdas tienen el mismo estado de carga (SOC).

Por defecto, el proceso de calibración está activado. Si se desea desactivar la calibración de la batería acceder a *Configuración > Ajustes avanzados > Otros ajustes > Proceso de calibración baterías de Litio*.

19.16. Uso de INGECON SUN 1Play en sistemas aislados

Para sistemas aislados es posible combinar inversores de baterías INGECON SUN STORAGE 1Play TL M con inversores fotovoltaicos de Ingeteam, como el INGECON SUN 1Play TL M. Para ello es necesario configurar en el inversor fotovoltaico la normativa *INGECON_SUN_STORAGE*. Para más información consultar la guía técnica para instalaciones con INGECON SUN STORAGE 1Play TL M.

19.17. Visualizar la curva fotovoltaica

i INFO

Para realizar la curva es necesario que el inversor esté conectado a la red pública.

Realizar la curva con condiciones de irradiancia estables. Se recomienda realizarla dos o tres veces seguidas para comprobar que la forma de la curva coincide, confirmando así que las condiciones son estables.

Estos inversores cuentan con la posibilidad de dibujar en un gráfico la curva PV de un momento dado.

Para realizar la curva PV acceder a *Mantenimiento > Curva PV*. Seleccionar la entrada MPPT e iniciar.

La forma de la curva estará determinada por factores externos como la irradiancia solar, sombreados en los paneles fotovoltaicos causados por elementos externos, temperatura, etc.

Cada vez que se dibuje una curva ésta quedará almacenada en su histórico de curvas.

19.18. Realizar un Autotest para CEI 0-21

i INFO

Este menú se mostrará únicamente si la normativa seleccionada es la *CEI 0-21 SPI Interno*.

El Autotest es una prueba definida por la normativa *CEI 0-21* para comprobar el SPI interno. Para realizarlo acceder a *Mantenimiento > Autotest*.

La prueba va aproximando los límites hacia la tensión o frecuencia de la instalación con una rampa de 0,05 Vn/s o 0,05 Hz/s respectivamente, hasta hacer disparar el SPI.

Se mide la precisión de los límites y tiempos de desconexión para cada protección, y se indica (OK/NOK) si cumplen con la precisión especificada por la *CEI 0-21* (Tensión: $\pm 1\%$ Vn, Frecuencia ± 20 mHz, Tiempo: ± 20 ms) respecto a los límites configurados.

Si el resultado es correcto el inversor sale de la prueba y se reconecta automáticamente a la red volviendo al funcionamiento normal.

Si por el contrario alguna de las protecciones da un resultado erróneo, el inversor se desconectará de la red mostrando la alarma *0x0800 Fallo de Hardware*.

19.19. Detección de fallo de aislamiento a tierra y alarma

Este inversor cumple la norma *IEC 62109-2* apartado 13.9 para la monitorización de alarmas de falla a tierra.

Si se desencadena una alarma de falla a tierra, el indicador LED naranja se iluminará y el siguiente código de falla se mostrará en el inversor:

Alarma 20 + Code1 0x0004 Fallo de aislamiento en los terminales positivo o negativo de las baterías o campo fotovoltaico

20. Solución de problemas

INFO

Consultar la guía “Alarm Interpretation and Troubleshooting Guide” donde se detallan las alarmas y la resolución de problemas que pudieran darse en la instalación y funcionamiento de los INGECON SUN STORAGE 1Play TL M. Para descargar la guía acceder a la web de INGECON SUN Training (www.ingeconsuntraining.info).

21. Desconexión del equipo

A lo largo de este apartado se detalla el procedimiento para desconectar el equipo.

ATENCIÓN

En caso de querer operar en el interior del equipo es obligatorio seguir estas instrucciones en el mismo orden en el que aquí aparecen para quitar tensión.

21.1. Proceso de desconexión del equipo

1. Parar manualmente el inversor mediante el botón On/Off del panel de control o desde la aplicación web.
2. Eliminar tanto tensión continua (Vdc) como tensión alterna (Vac) que llega al equipo.
3. Esperar 10 minutos a que se descarguen las capacidades internas, a que se enfríen los elementos internos susceptibles de producir quemaduras y a que se detenga el movimiento residual de las aspas de los ventiladores.
4. Comprobar ausencia de tensión.
5. Señalizar zona de corte (Vac y Vdc) con cartel de "Atención prohibido maniobrar ...". En caso de ser necesario delimitar la zona de trabajo.

21.2. Desconexión del cableado en bornas tipo push-in

INFO

La conexión de las cargas críticas, la red de consumo y la red/generador auxiliar se realiza mediante bornas tipo push-in.

En el apartado "[7. Conexión/desconexión del cableado en bornas tipo push-in](#)" se detalla el proceso para desconectar el cableado en este tipo de bornas.

22. Mantenimiento preventivo

Las labores de mantenimiento preventivo que se recomiendan serán realizadas con periodicidad mínima anual, salvo aquellas en que se indique lo contrario.

22.1. Condiciones de seguridad



Antes de abrir el equipo habrá que quitar tensión (ver apartado "21. Desconexión del equipo").
El conjunto de condiciones que se detallan a continuación deben considerarse como mínimas.
La apertura de la envolvente no implica en ningún caso la ausencia de tensión en el equipo, por lo que el acceso a éste sólo puede ser realizado por personal cualificado y siguiendo las condiciones de seguridad establecidas en este documento.
Ingeteam no se responsabiliza de los daños que pudieran causarse por una utilización inadecuada de los equipos. Toda intervención que se realice sobre cualquiera de estos equipos que suponga un cambio en las disposiciones eléctricas respecto a las originales deberán ser previamente propuestas a Ingeteam. Éstas deberán ser estudiadas y aprobadas por Ingeteam.
Todas las comprobaciones de mantenimiento que aquí se recogen deberán hacerse con el conjunto de la máquina parada, en condiciones seguras de manipulación, incluyendo las especificadas por el cliente para este tipo de operaciones.
Para realizar las labores de mantenimiento en el equipo se han de utilizar el Equipo de Protección Individual especificado en el apartado "Equipo de Protección Individual (EPI)" en este documento.
Una vez terminada la tarea de mantenimiento colocar nuevamente la tapa frontal y fijarla con los tornillos correspondientes.

22.2. Estado de la envolvente

Es necesaria una comprobación visual del estado de la envolvente verificando el estado de los cierres y tapa, así como el anclaje de los equipos a sus amarres tanto por la pared como al transformador si lo hubiera. Asimismo, se debe comprobar el buen estado de la envolvente y la no presencia de golpes o rayas que pudieran degradar la envolvente o hacerle perder su índice de protección. En el caso de que se apreciaran este tipo de defectos, se deberán reparar o sustituir aquellas partes afectadas.

Comprobar la ausencia de humedad en el interior de la envolvente. En caso de humedad, es imprescindible proceder a su secado antes de realizar conexiones eléctricas.

Revisar el correcto amarre de los componentes de la envolvente a sus correspondientes anclajes.

22.3. Estado de los cables y terminales

- Comprobar el correcto guiado de los cables de forma que estos no estén en contacto con partes activas.
- Revisar deficiencias en los aislamientos y puntos calientes, verificando el color del aislamiento y terminales.
- Comprobar que las conexiones están bien ajustadas.

22.4. Sistema de refrigeración

- Comprobar el estado de los ventiladores de extracción de aire, proceder a su limpieza y cambio si fuera necesario.
- Limpiar las aletas del radiador y las rejillas de refrigeración.

22.5. Entorno

Comprobar las propiedades del entorno de modo que no se amplifique o transmita el zumbido.

23. Tratamiento de residuos

Estos equipos utilizan componentes nocivos para el medio ambiente (tarjetas electrónicas, baterías o pilas, etc.).



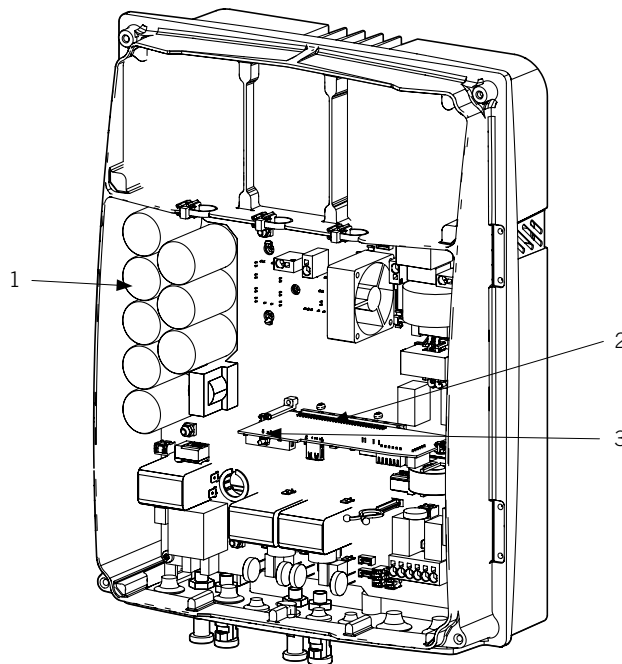
Concluida la vida útil del equipo, el residuo debe ser puesto en manos de un gestor autorizado de residuos peligrosos para su correcto procesado.

Ingeteam siguiendo una política respetuosa con el medio ambiente, a través de este apartado, informa al gestor autorizado respecto a la localización de los componentes a descontaminar.

Los elementos presentes en el interior del equipo y que han de ser tratados específicamente son:

1. Condensadores Electrolíticos o que contengan PCB.
2. Tarjetas de circuitos impresos.
3. Pilas.

En las siguientes ilustraciones se indica su ubicación.



Installation and Operation Manual

Manual de instalación y uso

Manuel d'installation et usage

Manuel d'installation et usage

Manual de instalação e uso

EN

ES

FR

IT

PT

Conditions importantes de sécurité

Cette section décrit les avertissements de sécurité et les équipements de protection individuelle.

Conditions de sécurité

Avertissements généraux



DANGER

L'ouverture de l'enveloppe n'implique pas qu'il n'y ait pas de tension à l'intérieur.

Même après déconnexion du réseau, le champ photovoltaïque et le système de stockage, le risque de décharge électrique persiste.

Seul le personnel qualifié est autorisé à l'ouvrir en respectant les instructions de ce manuel.



ATTENTION

Les opérations décrites dans ce manuel ne doivent être réalisées que par du personnel qualifié.

Les aptitudes du personnel qualifié auxquelles se réfère ce manuel doivent être, au minimum, celles qui satisfont à toutes les normes, règlements et lois en matière de sécurité applicables aux travaux d'installation et à l'utilisation de cet appareil.

La responsabilité de désigner le personnel qualifié est toujours à la charge de l'entreprise à laquelle appartient ce personnel. Pour préserver la sécurité de l'employé tout en respectant la loi sur la sécurité au travail, c'est à l'entreprise de déterminer qui est apte ou non à réaliser un travail.

Ces entreprises sont responsables de former leur personnel sur les appareils électroniques ainsi que de le familiariser avec le contenu de ce manuel.

Veuillez tenir compte du fait qu'il est obligatoire de respecter la législation en vigueur en matière de sécurité pour les travaux d'électricité. Il existe un danger de décharge électrique.

Le respect des instructions de sécurité ou de la loi exposées dans ce manuel n'exclut pas de se conformer aux autres normes spécifiques à l'installation, au lieu, au pays ou à toute autre circonstance relative à l'onduleur.

L'ensemble des conditions détaillées dans ce document doit être considéré comme un minimum. Il est toujours préférable de couper l'alimentation générale. Il peut y avoir des défauts sur l'installation provoquant des retours de tension non souhaités. Il existe un danger de décharge électrique.

Conformément aux normes de sécurité de base, tout l'appareil doit être adéquat pour protéger les opérateurs exposés des risques de contacts directs et indirects. Quoi qu'il en soit, les pièces électriques des équipements de travail doivent être conformes aux dispositions de la réglementation spécifique correspondante.

Conformément aux normes de sécurité de base, l'installation électrique ne doit pas entraîner de risques d'incendie ou d'explosion. Les opérateurs doivent être dûment protégés contre les risques d'accidents provoqués par des contacts directs ou indirects. L'installation électrique et les dispositifs de protection doivent tenir compte des facteurs externes conditionnant et des compétences des personnes ayant accès aux pièces de l'installation.

Pour contrôler l'absence de tension, il faut impérativement utiliser des éléments de mesure de classe III-1000 Volts.

L'espace réservé à l'installation du système de stockage doit être correctement ventilé.

Le système de stockage doit être installé de façon à éviter tout court-circuit accidentel.



INFO

Ces instructions doivent être accessibles, se trouver à proximité de l'appareil et être à portée de main de tous les opérateurs.

Avant l'installation et la mise en marche, veuillez lire attentivement ces instructions de sécurité et avertissements ainsi que tous les signes d'avertissement placés sur l'appareil. S'assurer que toutes les signalisations sont parfaitement lisibles et que les panneaux endommagés ou absents sont remplacés.

i INFO

La protection contre les contacts directs se fait par enveloppe.

L'appareil a été testé conformément à la réglementation applicable pour garantir qu'il remplit les exigences de sécurité, de valeurs de distances d'isolation et des lignes de fuite pour les tensions d'utilisation.

Dangers potentiels pour les personnes**⚠ DANGER**

Électrocution.

L'appareil peut être chargé après déconnexion du champ photovoltaïque, de l'alimentation sur secteur et du système de stockage.

Suivez attentivement les étapes obligatoires du manuel pour mettre le dispositif hors tension.

Explosion.

Il existe un risque très peu probable d'explosion dans des cas très spécifiques de dysfonctionnement.

La carcasse ne protégera les personnes et les biens de l'explosion que si elle est bien fermée.

Écrasement et lésions articulaires.

Suivez toujours les indications du manuel pour déplacer et mettre l'appareil en place.

S'il n'est pas correctement manipulé, le poids de cet appareil peut produire des lésions et des blessures graves, voire mortelles.

Haute température.

Le débit d'air de sortie peut atteindre des températures très élevées pouvant blesser les personnes exposées.

Dangers potentiels pour l'appareil**⚠ DANGER**

Refroidissement.

L'appareil nécessite un flux d'air sans particules lorsqu'il est en fonctionnement.

Il est indispensable de le maintenir en position verticale et de dégager les entrées de tout obstacle pour que ce flux d'air atteigne l'intérieur de l'appareil.

Ne touchez pas les cartes ni les composants électroniques. Les composants les plus sensibles peuvent être endommagés ou détruits par l'électricité statique.

Ne procédez pas à la déconnexion ou au raccordement d'une cosse lorsque l'appareil est en marche. Déconnectez-le et vérifiez l'absence de tension avant de procéder.

Afin d'éviter l'usure prématurée des raccords vissés de l'enveloppe de l'appareil, les tâches de retrait et d'installation des vis doivent être effectuées avec un outil manuel.

Équipements de protection individuelle (EPI)

Lors de la réalisation de travaux sur l'appareil, utilisez toujours, au minimum, les équipements de sécurité suivants recommandés par Ingeteam.

Dénomination	Explication
Chaussures de sécurité	Conformes à la norme <i>UNE-EN-ISO 20345:2012</i>
Casque	Conforme à la norme <i>EN 397:2012 + A1:2012</i>
Casque avec visière de protection	Conforme à la norme <i>UNE-EN 166:2002</i> , à condition qu'il existe des éléments sous tension directement accessibles
Lunettes de protection	Conformes à la norme <i>UNE-EN 166:2002</i>
Vêtements de travail	Ajustés, ignifugés, 100% coton
Gants diélectriques	Conformes à la norme <i>EN 60903:2005</i>

Les outils et/ou appareils utilisés pour les travaux sous tension doivent posséder, au moins, une isolation de classe III-1 000 volts.

Dans le cas où la réglementation locale exige d'autres types d'équipements de protection individuelle, les équipements recommandés par Ingeteam doivent être dûment complétés.

Table des matières

Conditions importantes de sécurité.....	138
Conditions de sécurité	138
Équipements de protection individuelle (EPI).....	140
Table des matières	141
1. Information concernant ce manuel.....	144
1.1. Champ d'application et nomenclature	144
1.2. Destinataires	144
1.3. Avertissements	144
2. Description de l'appareil	145
2.1. Schéma électrique du système	146
2.2. Exigences EMC.....	146
2.3. Pollution sonore.....	146
2.4. Tableau des caractéristiques	147
2.5. Description des accès de câbles.....	148
3. Réception et stockage de l'appareil.....	149
3.1. Réception	149
3.2. Identification de l'appareil	149
3.3. Dommages lors du transport.....	149
3.4. Stockage.....	149
3.5. Conservation.....	149
4. Transport de l'appareil	150
4.1. Transport.....	150
4.2. Déballage.....	150
5. Préparation pour l'installation de l'appareil.....	151
5.1. Environnement	151
5.2. Conditions environnementales.....	152
5.3. Surface d'appui et de fixation	152
5.4. Protection du raccordement des charges critiques.....	152
5.5. Protection du raccordement au réseau/générateur auxiliaire	153
5.6. Protection du raccordement du système de stockage	153
5.7. Type de réseau.....	153
5.8. Longueur des câbles des batteries	154
5.9. Longueur des câbles du réseau/générateur auxiliaire	154
5.10. Panneaux photovoltaïques	154
6. Installation de l'appareil	155
6.1. Exigences générales d'installation	155
6.2. Fixation de l'appareil au mur.....	155
6.3. Ouverture de l'enveloppe	156
7. Raccordement/déconnexion des câbles sur des bornes de type push-in.....	157
8. Raccordement du système de stockage	159
8.1. Consignes de sécurité pour le raccordement du système de stockage	159
8.2. Spécifications des câbles pour le raccordement du système de stockage	159
8.3. Processus de raccordement du système de stockage.....	160
9. Raccordement du kit en option du capteur de température PT-100 pour batteries plomb-acide	161
9.1. Indications de sécurité pour le raccordement du kit en option du capteur de température PT-100 pour batteries plomb-acide	161
9.2. Spécifications du câblage pour le raccordement du kit en option du capteur de température PT-100 pour batteries plomb-acide	161
9.3. Processus de raccordement du kit en option du capteur de température PT-100 pour batteries plomb-acide.....	161
10. Raccordement des charges critiques	165
10.1. Consignes de sécurité pour le raccordement des charges critiques.....	165
10.2. Spécifications des câbles de raccordement des charges critiques	165
10.3. Processus de raccordement des charges critiques	166

11. Raccordement du réseau/générateur auxiliaire	167
11.1. Consignes de sécurité pour le raccordement du réseau/générateur auxiliaire	167
11.2. Spécifications des câbles pour le raccordement du réseau/générateur auxiliaire	167
11.3. Processus de raccordement du réseau/générateur auxiliaire	168
12. Raccordement du champ photovoltaïque	170
12.1. Consignes de sécurité pour le raccordement du champ photovoltaïque	170
12.2. Spécifications des câbles de raccordement du champ photovoltaïque	170
12.3. Processus de raccordement du champ photovoltaïque	170
13. Raccordement de la communication RS-485 pour le wattmètre externe	172
13.1. Consignes de sécurité pour le raccordement de la communication RS-485 pour le wattmètre externe.....	172
13.2. Spécifications du câblage pour le raccordement de la communication RS-485 pour le wattmètre externe.....	172
13.3. Processus de raccordement de la communication RS-485 pour le wattmètre externe.....	173
14. Raccordement de la communication CAN des batteries lithium-ion.....	174
14.1. Consignes de sécurité pour le raccordement de la communication CAN des batteries lithium-ion.....	174
14.2. Spécifications des câbles pour le raccordement de la communication CAN des batteries lithium-ion	174
14.3. Processus de raccordement de la communication CAN des batteries lithium-ion	175
15. Raccordement des sorties numériques	176
15.1. Consignes de sécurité pour le raccordement des sorties numériques	176
15.2. Spécifications des câbles de raccordement des sorties numériques.....	176
15.3. Processus de raccordement des sorties numériques.....	176
16. Raccordement des entrées numériques	178
16.1. Consignes de sécurité pour le raccordement de l'entrée numérique.....	178
16.2. Spécifications des câbles de raccordement de l'entrée numérique	178
16.3. Processus de raccordement des entrées numériques.....	178
17. Raccordement d'Ethernet TCP.....	180
17.1. Consignes de sécurité pour le raccordement Ethernet TCP	180
17.2. Processus de raccordement de l'Ethernet TCP	180
18. Mise en service.....	181
18.1. Révision de l'appareil.....	181
18.1.1. Inspection.....	181
18.1.2. Fermeture hermétique de l'appareil	181
18.2. Mise en service.....	181
18.2.1. Première configuration de l'appareil	182
19. Utilisation de l'appareil	183
19.1. Panneau de commande	183
19.2. Gestion de l'onduleur via l'application Web	183
19.3. Connexion locale à l'onduleur via votre réseau Wi-Fi	184
19.4. Connexion de l'onduleur à un réseau Wi-Fi	184
19.5. Connexion à l'onduleur à distance	184
19.6. Monitoring de l'onduleur	185
19.6.1. Monitoring par Modbus-TCP	185
19.7. Configuration de l'onduleur.....	185
19.7.1. Configuration du type de batterie.....	186
19.7.2. Configuration de l'onduleur pour qu'il fonctionne uniquement avec le champ photovoltaïque (sans batteries).....	187
19.7.3. Configuration du mode de fonctionnement et des paramètres.....	187
19.7.4. Configuration de la réglementation dans les installations de connexion au réseau.....	188
19.7.5. Configuration du système de mise à la terre TT/ TN.....	189
19.7.6. Configuration de la charge des batteries depuis le réseau de distribution.....	189
19.7.7. Configuration de la puissance maximale d'injection d'excédent photovoltaïque dans le réseau de distribution.....	190
19.7.8. Configuration de la fonction Battery-Backup dans les installations d'autoconsommation	190
19.7.9. Configuration du générateur auxiliaire dans les installations isolées	191
19.7.10. Configuration de la charge des batteries depuis le générateur.....	191
19.7.11. Configuration de la protection de surcharge et court-circuit en sortie des charges critiques ...	192
19.7.12. Configuration des sorties numériques.....	192

19.7.13. Configuration des entrées numériques.....	192
19.7.14. Configurer un horaire pour la décharge des batteries	193
19.7.15. Configurer des manières d'offrir des services de qualité au réseau	193
19.8. Utilisation du wattmètre interne de l'onduleur ou du wattmètre externe.....	193
19.9. Mise à jour du firmware de l'onduleur	194
19.10. Rétablir les valeurs d'usine de configuration de l'onduleur	195
19.11. Motifs de limitation de puissance de l'onduleur	196
19.12. Charge automatique d'urgence de la batterie	196
19.13. Charge d'égalisation des batteries.....	197
19.14. Réalisation d'un test de ventilation.....	197
19.15. Calibrage des batteries lithium-ion	198
19.16. Utilisation d'INGECON SUN 1Play dans des systèmes isolés.....	198
19.17. Visualiser la courbe photovoltaïque.....	198
19.18. Réaliser un Autotest pour CEI 0-21	199
19.19. Détection de défaut d'isolation à la terre et alarme.....	199
20. Dépannage	200
21. Déconnexion de l'appareil	201
21.1. Processus de déconnexion de l'appareil	201
21.2. Déconnexion des câbles sur des bornes de type push-in	201
22. Maintenance préventive	202
22.1. Conditions de sécurité.....	202
22.2. État de l'enveloppe	202
22.3. État des câbles et des cosses.....	202
22.4. Système de refroidissement	202
22.5. Environnement	202
23. Traitement des déchets.....	203

1. Information concernant ce manuel

Ce manuel a pour but de décrire l'appareil INGECON SUN STORAGE 1Play TL M et de fournir les informations nécessaires pour sa bonne réception, installation, mise en service, maintenance et utilisation.

1.1. Champ d'application et nomenclature

Ce manuel est valable pour les appareils suivants :

Nom complet	Abréviation
INGECON SUN STORAGE 1Play 3TL M	1Play 3TL M
INGECON SUN STORAGE 1Play 4.5TL M	1Play 4.5TL M
INGECON SUN STORAGE 1Play 6TL M	1Play 6TL M

Dans ce document, les différents modèles sont désignés à la fois par leur nom complet et leur abréviation. En outre, tous les modèles de la famille INGECON SUN STORAGE 1Play TL M sont désignés de façon générique par les termes *appareil* ou *onduleur*.

1.2. Destinataires

Le présent document est dirigé au personnel qualifié.

Les aptitudes du personnel qualifié auxquelles se réfère ce manuel doivent être, au minimum, celles qui satisfont à toutes les normes, règlements et lois en matière de sécurité applicables aux travaux d'installation et à l'utilisation de cet appareil.

Ingeteam recommande que l'installation de cet appareil soit réalisée par un installateur professionnel.

1.3. Avertissements

Dans ce manuel apparaissent des avertissements permettant de mettre en avant les informations à souligner. En fonction de la nature du texte contenu, il existe trois types d'avertissements :



Indique des risques pour l'intégrité du personnel ou de l'onduleur.



Indication à caractère important.



Informations supplémentaires ou références à d'autres parties du document, ou à d'autres documents.

2. Description de l'appareil

L'onduleur hybride INGECON SUN STORAGE1Play TL M permet de combiner la production photovoltaïque et le stockage d'énergie, sans avoir recours à des onduleurs photovoltaïques supplémentaires.

Cet onduleur dispose d'un double système de suivi du point de puissance maximale (*MPPT*), qui lui permet d'extraire la puissance maximale du champ photovoltaïque, y compris dans les installations sur les toits présentant diverses orientations ou partiellement ombragées.

Grâce à l'*Energy Management System (EMS)* intégré, l'installation peut être monitorée à tout moment depuis un ordinateur ou un smartphone via l'application gratuite INGECON SUN Monitor.

De plus, il peut travailler en mode isolé ou connecté au réseau de distribution dans les types d'installation suivants.

Installations isolées

Système non connecté au réseau de distribution qui sert à fournir une énergie alternative à un ensemble d'appareils.

Dans ce type d'installation, il est possible d'installer un générateur auxiliaire qui peut être démarré à l'aide d'une sortie sans potentiel pour charger les batteries.

Installations UPS

Système interconnecté avec le réseau de distribution qui remplit principalement une fonction de soutien en cas de panne du réseau. Dans ce cas, l'installation fonctionne comme une UPS de type Off-line.

Installations d'autoconsommation

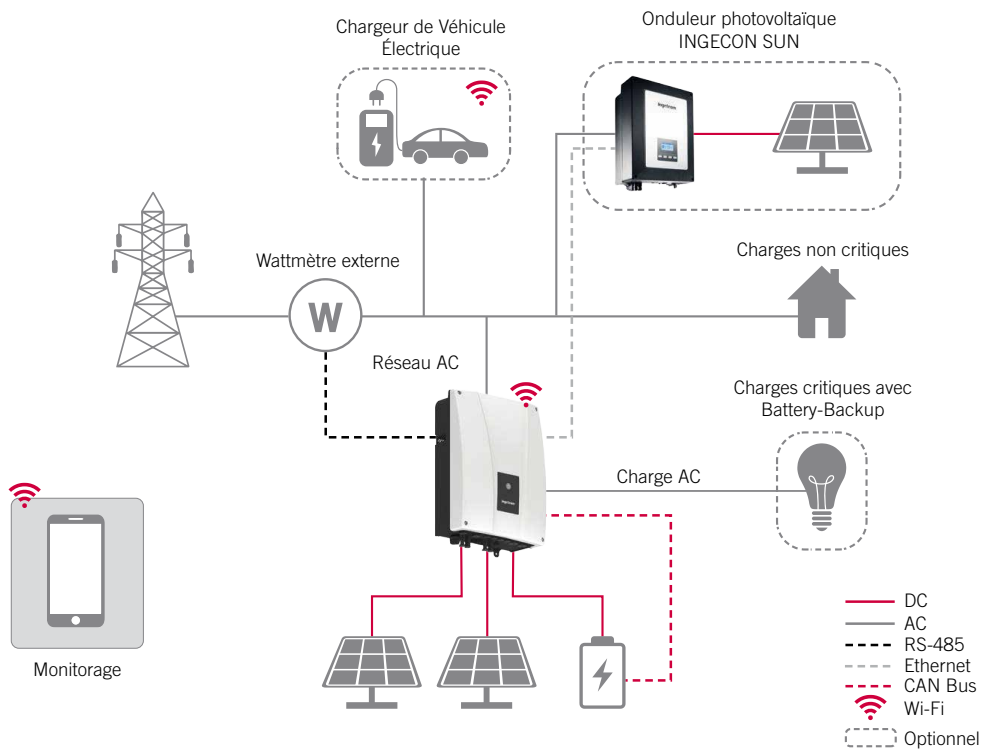
Système interconnecté au réseau de distribution permettant de réduire la consommation à partir du réseau et augmenter l'autoconsommation.

Si la production d'énergie est supérieure à la demande, l'excédent d'énergie peut être utilisé pour charger les batteries ou être injecté dans le réseau. Il dispose en outre de la fonction *Battery-Backup*, laquelle permet à l'onduleur d'alimenter les charges critiques des batteries et panneaux photovoltaïques en cas de panne du réseau.

INFO

Afin d'obtenir plus d'informations sur ce type d'installations, veuillez consulter le Guide technique des installations avec « l'INGECON SUN STORAGE 1Play TL M », disponible sur le site Internet d'Ingeteam.

2.1. Schéma électrique du système



INFO

Ce schéma représente une installation de type autoconsommation. Afin d'obtenir plus d'informations sur les divers types d'installation, veuillez consulter le « Guide technique des installations avec l'INGECON SUN STORAGE 1Play TL M », disponible sur le site Internet d'Ingeteam.

2.2. Exigences EMC

Les appareils INGECON SUN STORAGE 1Play TL M sont équipés des éléments de filtre nécessaires pour satisfaire aux exigences EMC pour les applications résidentielles afin d'éviter de perturber des appareils extérieurs à l'installation.

2.3. Pollution sonore

Le fonctionnement de cet appareil génère un léger bourdonnement.

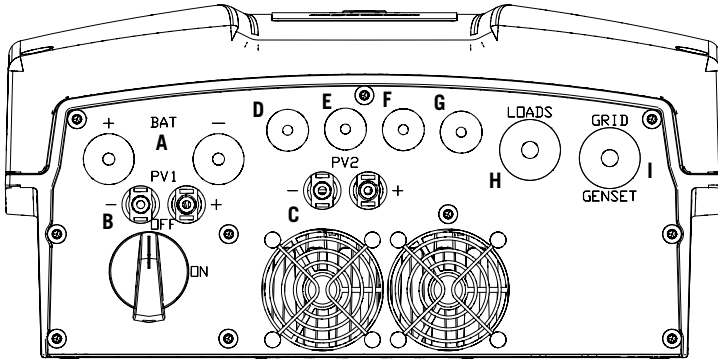
Ne pas le placer sur des supports légers pouvant amplifier ce bourdonnement. La surface de montage doit être solide et adaptée au poids de l'appareil.

2.4. Tableau des caractéristiques

	3TL M	4.5TL M	6TL M
Entrée du système de stockage (DC)			
Plage de tension ⁽¹⁾	40 ~ 460 V		
Courant maximal de charge/décharge	66 A		
Type de batteries	Plomb-acide, lithium-ion (LG, BYD, Pylontech...) ⁽²⁾		
Communication avec des batteries lithium-ion	CAN Bus 2.0		
Entrée champ photovoltaïque (DC)			
Puissance maximale champ PV	11,5 kWp		
Plage de tension MPP	80 ~ 480 V		
Plage de tension de fonctionnement	80 ~ 540 V		
Tension d'entrée maximale ⁽³⁾	550 V		
Courant d'entrée maximal (entrée 1/entrée 2) ⁽⁴⁾	13,5 A / 13,5 A		
Nombre de MPPT	2		
Nombre d'entrées (entrée 1/entrée 2)	1 / 1		
Entrée réseau/générateur auxiliaire (AC)			
Tension nominale	230 V		
Plage de tension	172 ~ 264 V		
Fréquence nominale	50 / 60 Hz		
Plage de fréquence	40 ~ 70 Hz		
Type de réseau	TT / TN		
Puissance nominale	3 kW	4,5 kW	6 kW
Température max. pour la puissance nominale	40 °C		
Courant maximal	13 Arms	20 Arms	26 Arms
Facteur de puissance	-0,8 ~ 1 ~ 0,8		
Sortie des charges critiques (AC)			
Puissance (25 °C) 30 min, 2 min, 3 s ⁽⁵⁾	6.400 / 6.900 / 7.900 W		
Courant maximal	13 Arms	20 Arms	26 Arms
Tension nominale ⁽⁶⁾	220 ~ 240 V		
Fréquence nominale ⁽⁶⁾	50 / 60 Hz		
Facteur de puissance	-0,8 ~ 1 ~ 0,8		
Temps de réponse de la fonction Back-Up	12 ms		
Prestations			
Efficacité maximale	95,5 %	96 %	96 %
Euro efficacité	95,1 %	95,2 %	95,2 %
Données générales			
Système de refroidissement	Ventilation forcée		
Débit d'air	45 m³/h		
Poids	26 kg		
Dimensions (hauteur x largeur x profondeur)	470 x 360 x 180 mm		
Consommation en veille	< 10 W		
Température de service	-20 ~ +65 °C		
Humidité relative (sans condensation)	4 ~ 100 %		
Indice de protection	IP65		
Altitude maximale	2 000 m		
Catégorie de surtension	Catégorie III (AC) / Catégorie II (DC)		
Marquage	CE		
Réglementation CEM et de sécurité	EN 61000-6-1, EN 61000-6-2, EN 61000-6-3, EN 61000-6-4, EN 61000-3-11, EN 61000-3-12, EN 62109-1, EN62109-2, AS62040.1, FCC PARTIE 15		
Réglementation relative au raccordement au réseau de distribution	DIN V VDE V 0126-1-1, EN 50438, CEI 0-21, VDE-AR-N4105:2011-08, G59/3, G83/2, AS4777.2:2015, CEI 62116, CEI 61727, UNE 206007-1:2013, UNE 206006:2011, UNE 217001 IN:2015, NRS097-2-1, ABNT NBR 16149, ABNT NBR 16150, South African Grid code, P.O.12.2, G99, EN 50549-1		

⁽¹⁾ La puissance maximale fournie par la batterie correspondra à la tension des batteries multipliée par le courant de décharge maximal. ⁽²⁾ Consultez le site web d'Ingeteam pour une liste de batteries compatibles. ⁽³⁾ Ne jamais dépasser. Envisager l'augmentation de tension des panneaux « Voc » à basses températures. ⁽⁴⁾ Pour des entrées PV connectées en parallèle, le courant maximum total serait de 27 A. ⁽⁵⁾ En mode stand-alone, ces puissances ne sont disponibles que si la somme de la puissance des batteries et la puissance photovoltaïque atteint ces valeurs. ⁽⁶⁾ Tension et fréquence configurables.

2.5. Description des accès de câbles



- A. Système de stockage.
Presse-étoupes M20
- B. Champ photovoltaïque 1.
Connecteurs rapides PV MC4
- C. Champ photovoltaïque 2.
Connecteurs rapides PV MC4
- D. Entrées et sorties numériques.
Presse-étoupes M16
- E. Communication RS-485 pour le wattmètre externe.
Presse-étoupes M16
- F. Communication CAN des batteries lithium-ion avec BMS ou kit de capteur de température pour batteries plomb-acide.
Presse-étoupes M16
- G. Ethernet.
Presse-étoupes M16
- H. Charges critiques.
Presse-étoupes M25
- I. Réseau/générateur auxiliaire.
Presse-étoupes M25

Dimensions du presse-étoupes	Plage de diamètres autorisés
M16	5 mm ~ 9 mm
M20	8 mm ~ 13 mm
M25	11 mm ~ 17 mm

3. Réception et stockage de l'appareil

3.1. Réception

Conservez l'appareil emballé jusqu'à son installation. L'appareil doit rester en permanence en **position horizontale**.

3.2. Identification de l'appareil

Le numéro de série de l'appareil permet de l'identifier de manière non équivoque. Ce numéro doit être mentionné lors de toute communication avec Ingeteam.

Le numéro de série de l'appareil est également indiqué sur la plaque signalétique.

3.3. Dommages lors du transport

Si, pendant le transport, l'appareil a été endommagé, procédez comme suit :

1. Ne procédez pas à son installation.
2. Informez immédiatement le distributeur dans les 5 jours suivant la réception de l'appareil.

S'il est finalement nécessaire de renvoyer l'appareil au fabricant, utilisez le même emballage que celui dans lequel il vous a été livré.

3.4. Stockage

ATTENTION

Le non-respect des instructions fournies dans cette section peut causer des dommages à l'appareil.
Ingeteam n'assume aucune responsabilité en cas de dommages découlant du non-respect de ces instructions.

Si l'appareil n'est pas installé immédiatement après sa réception, prenez en compte les éléments suivants afin d'éviter qu'il ne se détériore :

- Entrez le colis en position horizontale.
- Maintenez l'appareil à l'abri de la saleté (poussière, copeaux, graisse, etc.) et des rongeurs.
- Évitez qu'il ne reçoive des projections d'eau, des étincelles de soudures, etc.
- Couvrez l'appareil avec un matériau de protection respirant afin d'éviter la condensation due à l'humidité ambiante.
- Les appareils entreposés ne doivent pas être soumis à des conditions climatiques différentes de celles qui sont indiquées dans la section «[2.4. Tableau des caractéristiques](#)».
- Il est essentiel de protéger l'appareil des produits chimiques corrosifs ainsi que des atmosphères salines.
- N'entrez pas l'appareil à l'extérieur.

3.5. Conservation

Afin de permettre une bonne conservation des appareils, ne retirez pas l'emballage d'origine avant de procéder à leur installation.

En cas d'entreposage prolongé, il est recommandé de conserver les appareils dans des endroits secs, en évitant, si possible, les changements brusques de température.

La détérioration de l'emballage (déchirures, trous, etc.) empêche de conserver les appareils dans des conditions optimales avant leur installation. Ingeteam n'est pas tenu responsable du non-respect de cette condition.

4. Transport de l'appareil

L'appareil doit être protégé, pendant son transport, contre les chocs mécaniques, les vibrations, les projections d'eau (pluie) et tout autre produit ou situation pouvant l'endommager ou altérer son comportement. Le non-respect de ces instructions peut entraîner la perte de la garantie du produit ; Ingeteam n'en est pas responsable.

4.1. Transport

Transport par transpalette

Vous devez respecter au minimum les exigences suivantes :

1. Déposez les appareils emballés au centre des fourches.
2. Veillez à les placer le plus près possible de la jonction entre les fourches et le tireur.
3. Dans tous les cas, respectez le manuel d'utilisation du transpalette.

Transport par chariot élévateur

Vous devez respecter au minimum les exigences suivantes :

1. Déposez les appareils emballés au centre des fourches.
2. Veillez à les placer le plus près possible de la jonction entre les fourches et le tireur.
3. Assurez-vous que les fourches sont parfaitement nivelées afin d'éviter que l'appareil ne se renverse.
4. Dans tous les cas, respectez le manuel d'utilisation du chariot.

Une fois l'appareil transporté à l'endroit où il sera placé, et uniquement au moment de son installation, déballez-le.

Il peut alors être transporté à la verticale ou sur une distance courte sans son emballage. Suivez les indications décrites dans la section suivante.

Transport de l'appareil déballé

Vous devez respecter au minimum les exigences suivantes :

1. Utilisez les creux latéraux pour saisir l'appareil des deux mains.
2. Suivez les conseils ergonomiques nécessaires pour soulever des poids.
3. Ne lâchez pas l'appareil avant qu'il ne soit parfaitement fixé ou posé.
4. Demandez à une autre personne de vous guider sur les mouvements à réaliser.

4.2. Déballage

Il est essentiel de manipuler correctement les appareils afin de :

- ne pas abîmer l'emballage, qui permet de conserver les appareils dans des conditions optimales depuis leur expédition jusqu'au moment de leur installation ;
- éviter les coups et/ou les chutes des appareils pouvant détériorer les caractéristiques mécaniques de ces derniers ; par exemple, mauvaise fermeture des portes, perte du degré de protection, etc.
- éviter, dans la mesure du possible, les vibrations qui peuvent provoquer un dysfonctionnement ultérieur ;

En cas d'anomalie, contactez immédiatement Ingeteam.

Se débarrasser de l'emballage

Tout l'emballage peut être remis à un centre agréé de récupération des déchets non dangereux.

Dans tous les cas, les parties de l'emballage seront réparties de la manière suivante :

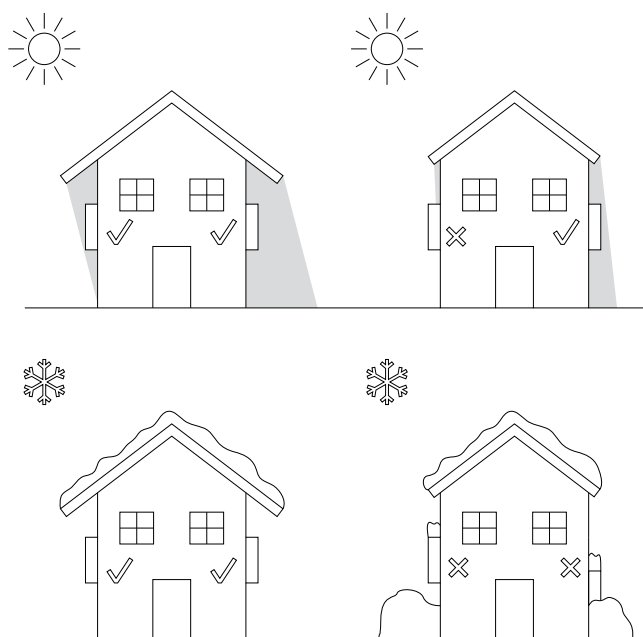
- Plastique (polystyrène, sac et papier bulle) : conteneur correspondant.
- Carton : conteneur correspondant.

5. Préparation pour l'installation de l'appareil

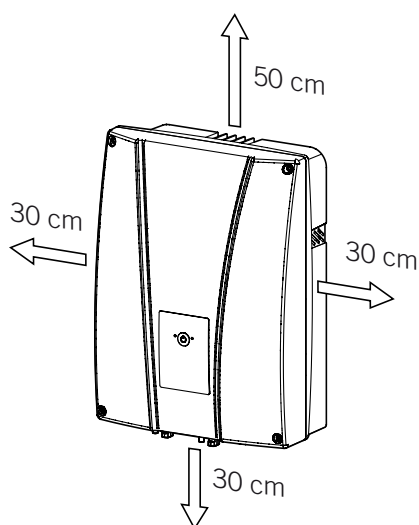
Au moment de décider de l'emplacement de l'appareil et de planifier son installation, vous devez suivre un ensemble de règles découlant de ses caractéristiques. Ce chapitre explique ces règles et détaille les éléments externes nécessaires au bon fonctionnement de l'appareil.

5.1. Environnement

- Ces appareils peuvent être installés en intérieur et extérieur.
- Placez les appareils à un endroit accessible aux techniciens d'installation et de maintenance, et qui permette la lecture des LED d'indication frontales.
- Évitez les environnements corrosifs pouvant affecter le bon fonctionnement de l'onduleur.
- Il est formellement interdit de poser tout objet sur l'appareil.
- N'exposez pas les onduleurs au rayonnement solaire direct.



- Évitez tout obstacle sur les distances suivantes :



5.2. Conditions environnementales

Vous devez tenir compte des conditions environnementales de fonctionnement de l'appareil indiquées dans le tableau des caractéristiques pour choisir son emplacement.

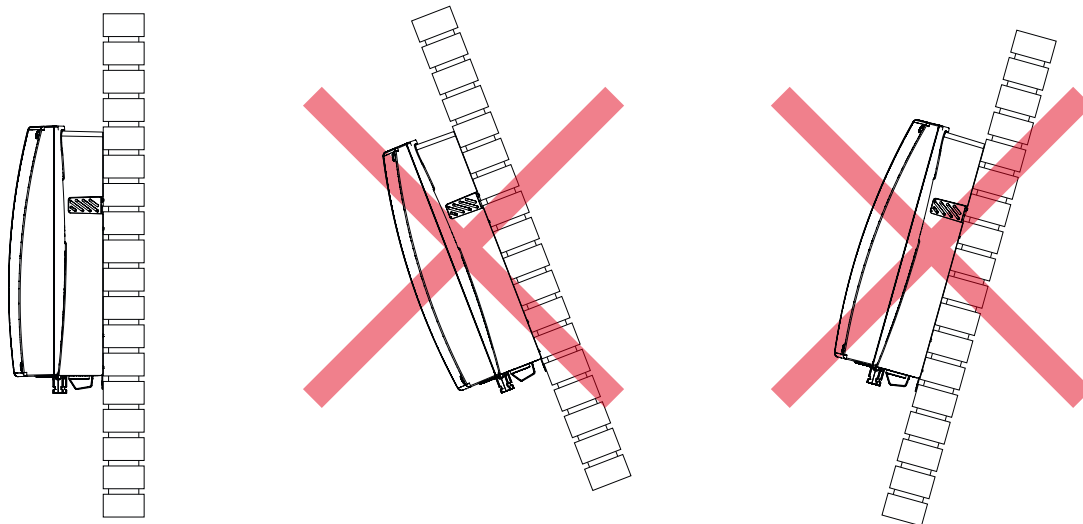
L'air ambiant doit être propre et l'humidité relative, à plus de 40 °C, doit être comprise dans une plage entre 4 % et 50 %. Des pourcentages d'humidité relative de jusqu'à 95 % sont tolérés à des températures inférieures à 30 °C.

Il convient de prendre en compte que, de façon occasionnelle, il peut se produire une condensation modérée résultant des variations de température. Pour cette raison, et en marge de la protection de l'appareil, il est nécessaire de surveiller ces appareils, une fois mis en marche dans des lieux qui pourraient ne pas être conformes aux conditions décrites précédemment.

En cas de condensation, l'appareil ne doit en aucun cas être mis sous tension.

5.3. Surface d'appui et de fixation

Pour garantir une bonne évacuation de la chaleur et favoriser l'étanchéité, les appareils doivent être montés sur un mur parfaitement vertical, ou à défaut selon une légère inclinaison maximale de +80° ou -80°.



Choisissez un mur solide pour fixer l'appareil. Le mur doit pouvoir être percé et accepter des chevilles et des tirefonds aptes à supporter le poids de l'appareil.

5.4. Protection du raccordement des charges critiques

Disjoncteur magnétothermique

L'installation d'un disjoncteur magnétothermique à la sortie des charges critiques est nécessaire.

Le tableau suivant fournit les données nécessaires pour la sélection de ce dispositif par l'installateur.

INGECON SUN STORAGE 1Play TL M	Courant maximal	Courant nominal du disjoncteur magnétothermique
3TL M	13 Arms	20 Arms
4.5TL M	20 Arms	32 Arms
6TL M	26 Arms	32 Arms

Il faut également prendre en compte lors du choix des éléments de protection le fait que la température de service influe sur le courant maximal admis par ces protections, comme stipulé par le fabricant.

Il est nécessaire d'installer une protection différentielle sur la ligne de charge critique conformément à la législation en vigueur dans le pays d'installation.

5.5. Protection du raccordement au réseau/générateur auxiliaire

Disjoncteur magnétothermique

Il est nécessaire d'installer un interrupteur magnétothermique au niveau du raccordement de l'onduleur au réseau/générateur auxiliaire.

Le tableau suivant fournit les données nécessaires pour la sélection de ce dispositif par l'installateur.

INGECON SUN STORAGE 1Play TL M	Courant maximal	Courant nominal du disjoncteur magnétothermique
3TL M	13 Arms	20 Arms
4.5TL M	20 Arms	32 Arms
6TL M	26 Arms	32 Arms

Lorsque vous sélectionnez la protection d'une installation, notez que son pouvoir de coupure doit être supérieur au courant de court-circuit du point de raccordement au réseau.

Il faut également prendre en compte que la température de service influe sur le courant maximal admis par ces protections, comme stipulé par le fabricant.

Disjoncteur

Il est nécessaire d'installer une protection différentielle conformément à la législation en vigueur dans le pays d'installation, entre l'onduleur et le réseau électrique.

5.6. Protection du raccordement du système de stockage

⚠ ATTENTION

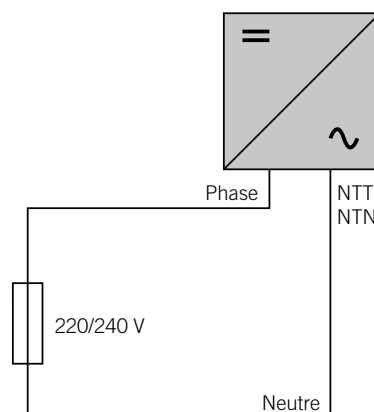
Les onduleurs n'admettent pas la mise à la terre des batteries. Les bornes du parc de batteries doivent donc être isolées de la terre. Sinon, l'onduleur renvoie une erreur d'isolement.

Il est obligatoire d'installer un interrupteur à courant continu entre l'onduleur et le parc de batteries. Ses dimensions doivent permettre d'ouvrir le parc de batteries installé en fonction du courant maximal de charge et de décharge.

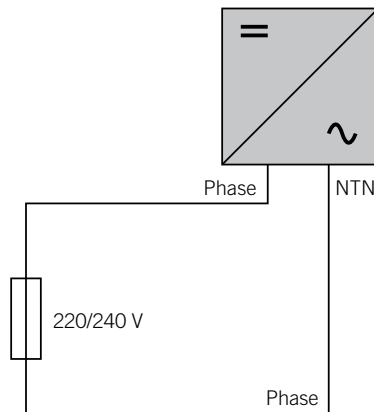
5.7. Type de réseau

Ces onduleurs peuvent être connectés à des réseaux monophasés ou biphasés qui ont les caractéristiques suivantes. Ils ne sont pas compatibles avec les réseaux *Split-phase*.

Réseau monophasé 220/240 Vac (L-N-PE)



Réseau biphasé 220/240 Vac (L-L-PE)



5.8. Longueur des câbles des batteries

L'onduleur mesure la tension de la batterie à ses bornes de raccordement. L'installateur doit donc utiliser un câble DC d'une impédance suffisamment basse pour que le processus de chargement/déchargement de la batterie n'entraîne pas la déconnexion de l'appareil en raison de la haute ou basse tension de la batterie (voir section «[8.2. Spécifications des câbles pour le raccordement du système de stockage](#)»).

5.9. Longueur des câbles du réseau/générateur auxiliaire

L'onduleur mesure la tension du réseau/générateur à ses bornes de raccordement. L'installateur doit donc utiliser un câble AC d'une impédance suffisamment basse pour que le processus d'absorption ou d'injection n'entraîne pas la déconnexion de l'appareil en raison de la haute ou basse tension du réseau (voir section «[11.2. Spécifications des câbles pour le raccordement du réseau/générateur auxiliaire](#)»).

5.10. Panneaux photovoltaïques

Les panneaux photovoltaïques de l'installation doivent être de classe A (*CEI 61730*). Étant donné que ces appareils n'admettent pas la mise à la terre des panneaux photovoltaïques, les pôles positif et négatif du champ photovoltaïque ne doivent pas être connectés à la terre. Sinon, l'onduleur renvoie une erreur d'isolement.

Cependant, la structure métallique sur laquelle reposent les panneaux photovoltaïques et/ou le cadre métallique du panneau peuvent, eux, être connectés à la terre.

6. Installation de l'appareil

⚠ ATTENTION

Toutes les opérations d'installation devront être conformes à la réglementation en vigueur.

Toutes les opérations qui impliquent le déplacement de poids lourds doivent être réalisées par deux personnes.

Avant de procéder à l'installation de l'appareil, retirez son emballage en prenant garde à ne pas endommager l'enveloppe.

Vérifiez l'absence de condensation à l'intérieur de l'emballage. En cas de signes de condensation, l'appareil ne doit pas être installé avant d'avoir entièrement séché.

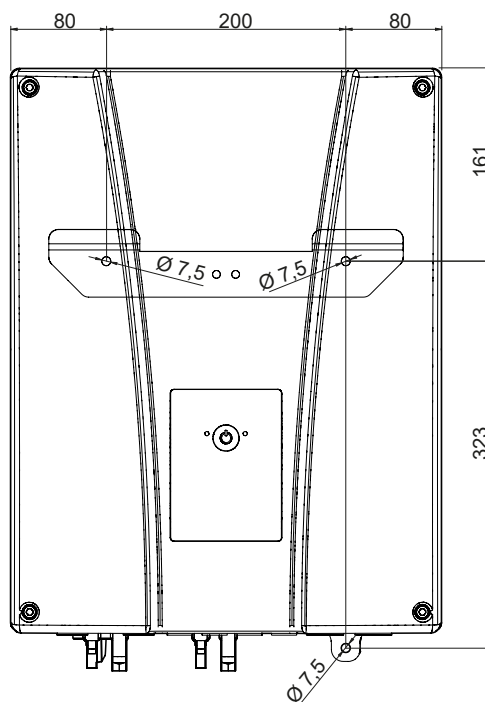
6.1. Exigences générales d'installation

- L'environnement de l'appareil doit être adéquat et satisfaire aux directives prescrites dans le chapitre «5. Préparation pour l'installation de l'appareil». Par ailleurs, les éléments employés dans le reste de l'installation devront être compatibles avec l'appareil et conformes à la loi applicable.
- La ventilation et l'espace de travail devront être adéquats pour les travaux de maintenance conformément à la réglementation en vigueur.
- Les dispositifs extérieurs de raccordement doivent être adéquats et suffisamment proches comme stipulé dans la réglementation en vigueur.
- La section des câbles d'alimentation doit être adaptée à l'intensité maximale.
- Veillez à ce qu'aucun élément extérieur ne se trouve à proximité des entrées et sorties d'air pouvant empêcher le bon refroidissement de l'appareil.

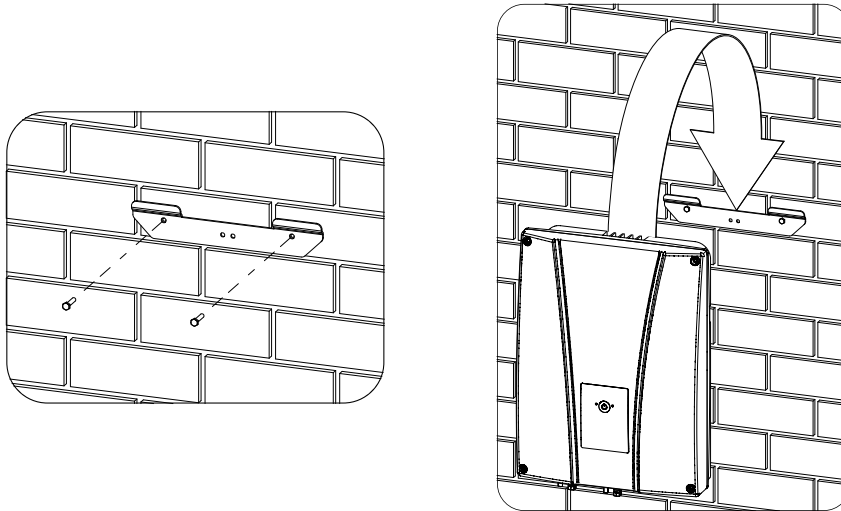
6.2. Fixation de l'appareil au mur

Les INGECON SUN STORAGE 1Play disposent d'un système de fixation au mur via une platine. Voici les étapes pour fixer correctement l'appareil au mur. Veuillez tenir compte du poids de l'appareil.

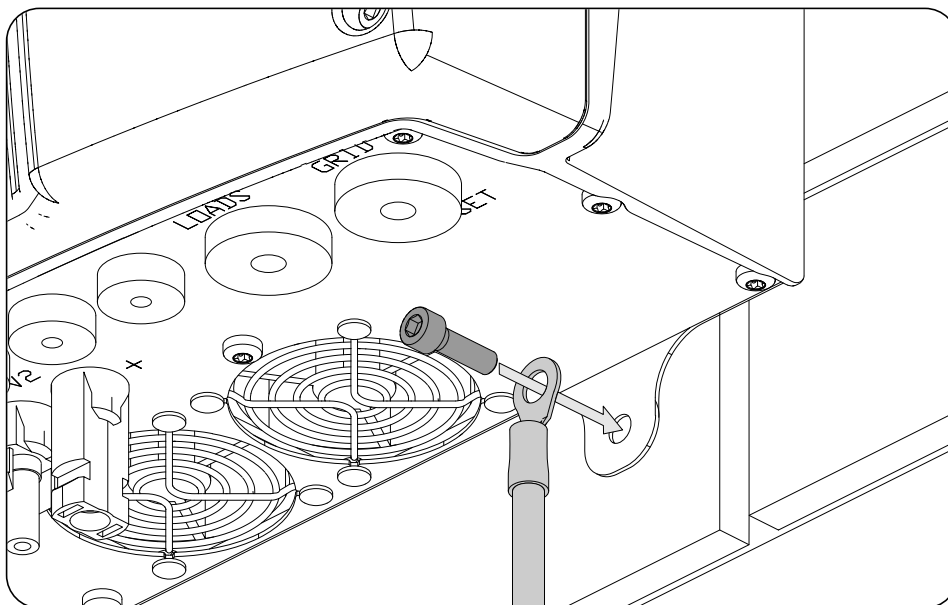
1. Marquez sur le mur les points de fixation de la platine, puis percez les trous à l'aide d'une mèche adaptée au mur et aux éléments de fixation que vous utiliserez ensuite pour fixer la platine.



- Fixez la platine à l'aide d'éléments de fixation en acier inoxydable pour éviter la corrosion. Accrochez l'appareil à la platine en insérant les deux languettes dans les trous prévus à cet effet sur la partie arrière de l'appareil. Utilisez les creux latéraux pour saisir l'appareil des deux mains.



- Pour éviter les décharges électriques depuis l'enveloppe de l'onduleur, en cas de défaut du câble de protection connecté à l'intérieur de l'onduleur, il faut connecter l'enveloppe à la terre. Connectez pour cela le câble de terre à la vis de fixation inférieure.



ATTENTION

D'autre part, il faut également connecter le câble de protection à la borne de réseau de l'onduleur, comme indiqué dans la section «11.3. Processus de raccordement du réseau/générateur auxiliaire».

- Vérifiez que l'appareil est fermement fixé.

6.3. Ouverture de l'enveloppe

Pour accéder à l'intérieur de l'appareil, ouvrez le couvercle de l'enveloppe en retirant les quatre vis avant.

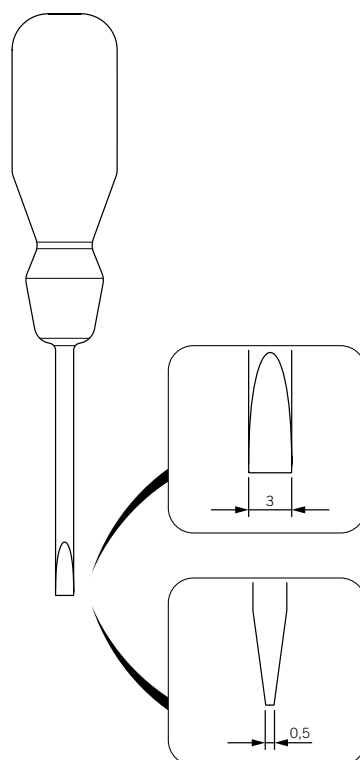
7. Raccordement/déconnexion des câbles sur des bornes de type push-in

Le raccordement des charges critiques et du réseau/générateur auxiliaire s'effectue à l'aide de bornes de type *push-in*.

Cette section décrit le processus de raccordement et de déconnexion des câbles à ces bornes ainsi que l'outil à utiliser.

Outil nécessaire

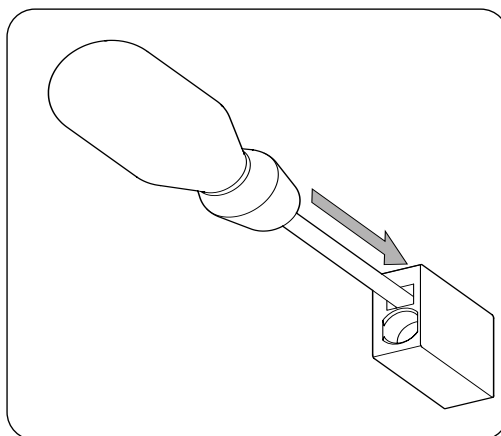
Pour utiliser ces bornes, il est nécessaire d'utiliser un tournevis plat dont la dimension maximale est indiquée dans la figure suivante.



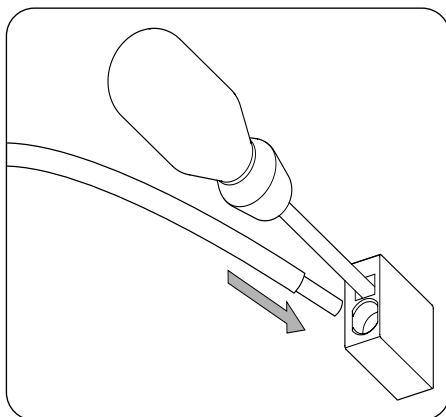
Raccordement des câbles

Pour raccorder les câbles à ces bornes, procédez comme suit :

1. Insérez le tournevis plat dans le trou indiqué.



2. Insérez les câbles.

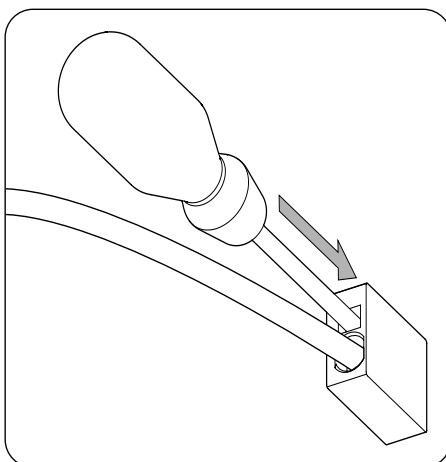


3. Retirez le tournevis.
4. Vérifiez que le raccordement est solide.

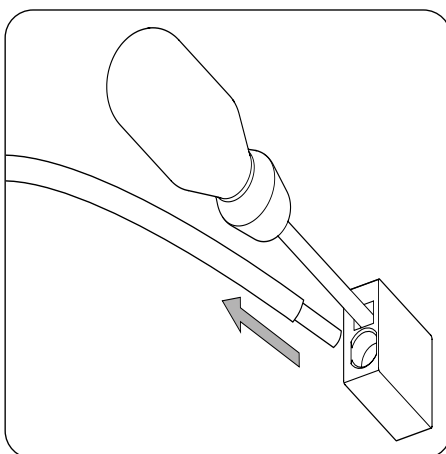
Déconnexion des câbles

Pour déconnecter les câbles de ces bornes, procédez comme suit :

1. Insérez le tournevis plat dans le trou indiqué.



2. Retirez les câbles.



3. Retirez le tournevis.

8. Raccordement du système de stockage

Ce chapitre explique les spécifications et le processus de raccordement des câbles du système de stockage à l'appareil. Lisez-le attentivement avant de commencer le processus de raccordement.

8.1. Consignes de sécurité pour le raccordement du système de stockage

ATTENTION

Avant de commencer à réaliser les raccordements, veillez à ce que l'onduleur soit hors tension. Vérifiez que les protections du réseau/générateur, des charges critiques, du système de stockage et du champ photovoltaïque sont ouvertes.

N'alimentez pas l'appareil avant d'avoir réalisé correctement tous les autres raccordements et de l'avoir refermé.

Lorsque vous effectuez les raccordements, respectez les polarités indiquées sur la sérigraphie de la carte électronique. Une mauvais raccordement peut endommager l'onduleur.

Ingeteam n'est pas responsable des dommages qu'un mauvais raccordement ou application des couples de serrage indiqués pourrait entraîner.

8.2. Spécifications des câbles pour le raccordement du système de stockage

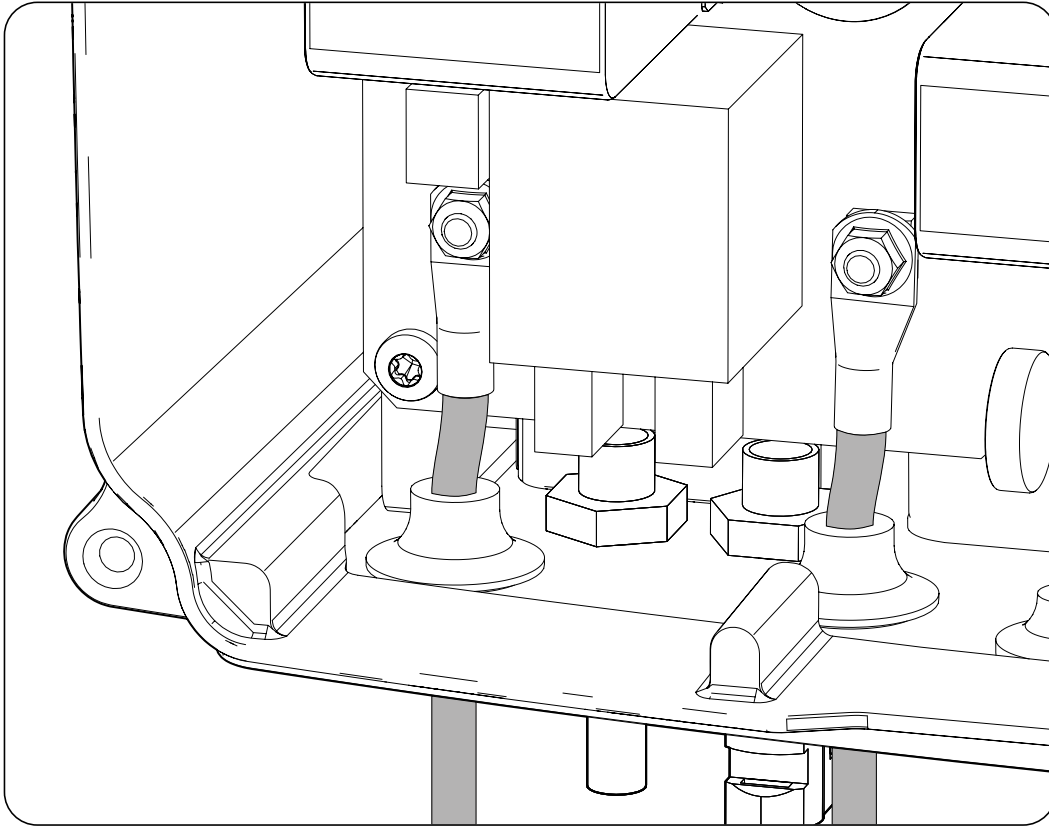
Les caractéristiques du câblage pour le raccordement du système de stockage sont indiquées dans le tableau suivant :

	INGECON SUN STORAGE 1Play TL M		
	Jusqu'à 32 A	Jusqu'à 40 A	Jusqu'à 66 A
Section câbles	16 mm ²		
Diamètre des câbles	8 ~ 13 mm		
Autres caractéristiques*	Cosse à œillet pour vis M5 / Cosse à œillet pour vis M8		
Couple de serrage d'écrou*	M5: 2,5 Nm / M8: 9 Nm		

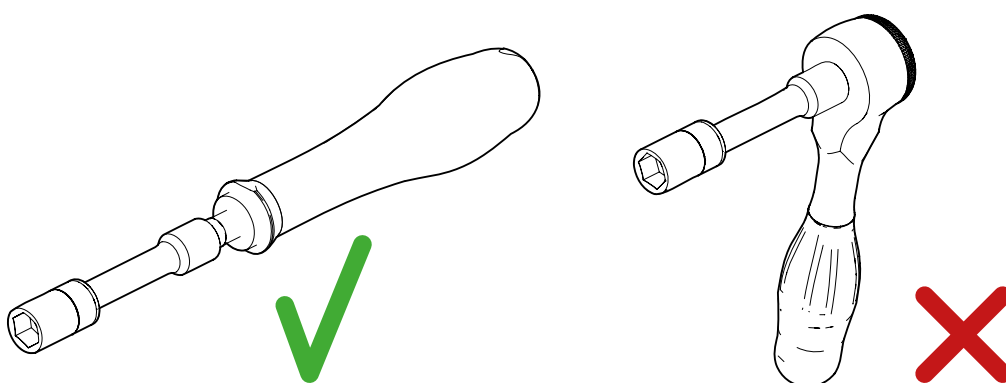
* La connexion du système de stockage sur le nouveau hardware de l'inverseur se fait avec des M8 au lieu de M5. Veuillez vérifier la métrique de votre inverseur et appliquer le couple correspondant.

8.3. Processus de raccordement du système de stockage

Pour réaliser le raccordement du système de stockage :



1. Insérez les câbles du système de stockage dans les presse-étoupes prévus en respectant les polarités.
2. Retirez les écrous et connectez les câbles aux bornes indiquées *J105 BATTERY +* et *J06 BATTERY -* en respectant les polarités.
3. Serrez les écrous au couple indiqué ci-dessus en fonction de leur taille métrique afin d'assurer une fixation correcte. Il est important de ne pas trop serrer les écrous.



Outils conseillés et déconseillés pour le serrage des écrous

4. Vérifiez que le raccordement est solide.

9. Raccordement du kit en option du capteur de température PT-100 pour batteries plomb-acide

L'installation du kit en option du capteur de température PT-100 (référence ABH7203) permet de réaliser des charges optimales du système de stockage en fonction de la température, prolongeant ainsi la durée de vie des batteries plomb-acide.

Ce chapitre explique les spécifications du kit et le processus de raccordement de ce dernier à l'appareil. Lisez-le attentivement avant de commencer le processus de raccordement.

9.1. Indications de sécurité pour le raccordement du kit en option du capteur de température PT-100 pour batteries plomb-acide

⚠ ATTENTION

Avant de commencer à réaliser les raccordements, veillez à ce que l'onduleur soit hors tension. Vérifiez que les protections du réseau/générateur, des charges critiques, du système de stockage et du champ photovoltaïque sont ouvertes.

N'alimentez pas l'appareil avant d'avoir réalisé correctement tous les autres raccordements et de l'avoir refermé.

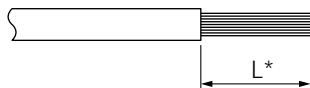
Lorsque vous effectuez les raccordements, respectez les polarités indiquées.

Ingeteam n'est pas responsable des dommages qu'un mauvais raccordement pourrait entraîner.

9.2. Spécifications du câblage pour le raccordement du kit en option du capteur de température PT-100 pour batteries plomb-acide

Les caractéristiques du câblage pour le raccordement du capteur de température sont indiquées dans le tableau suivant :

INGECON SUN STORAGE 1Play TL M	
Section câbles	0,25 mm ² ~ 1,5 mm ²
Diamètre câbles	5~9 mm
Longueur des câbles à dénuder (L*)	8 mm



9.3. Processus de raccordement du kit en option du capteur de température PT-100 pour batteries plomb-acide

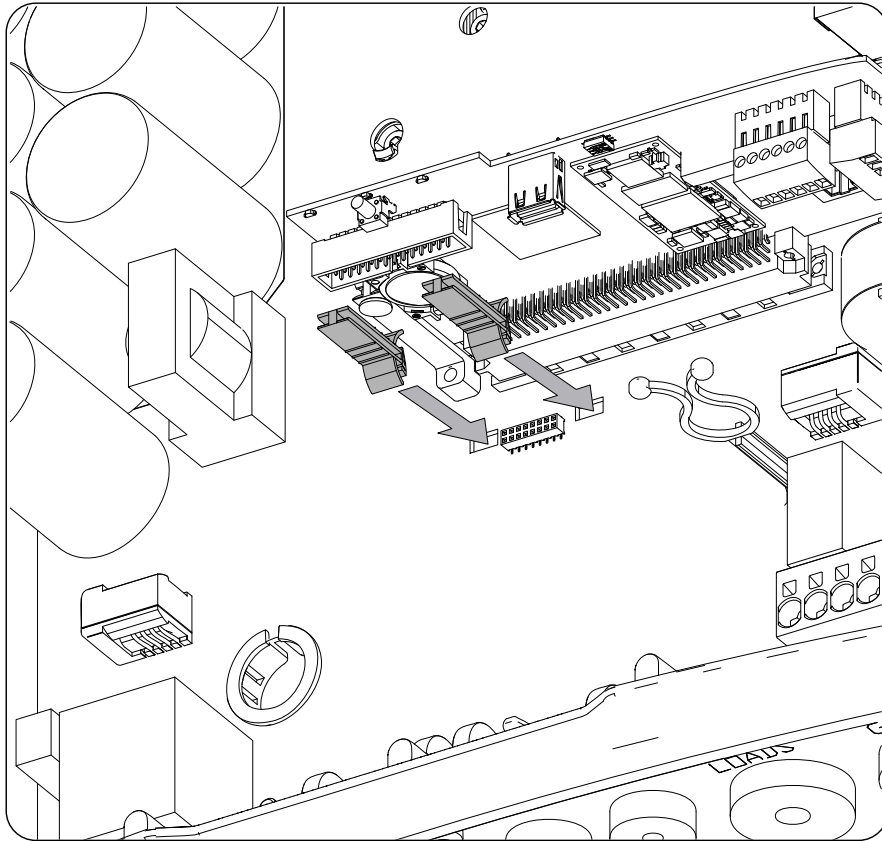
i INFO

Ingeteam recommande de placer le capteur sur une batterie qui se trouve dans la zone centrale du système de stockage. Il doit être installé vers le milieu de l'axe vertical de la cellule choisie et fixé correctement suivant les caractéristiques de l'installation.

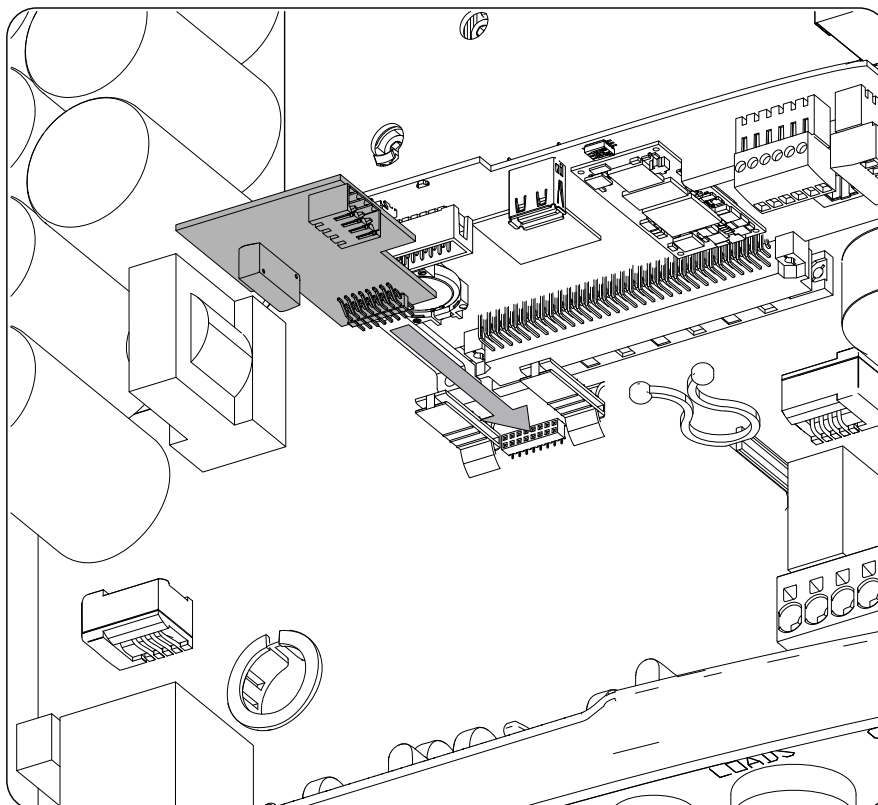
Ingeteam recommande l'utilisation de capteurs de température à trois fils.

Suivez les indications suivantes pour réaliser le raccordement du kit en option du capteur de température :

1. Installez les deux guides en plastique.

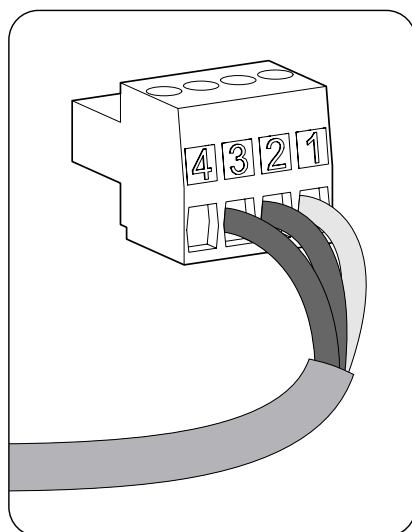


- À l'aide des guides installés au point précédent, connectez la carte du kit à la carte principale de l'onduleur.



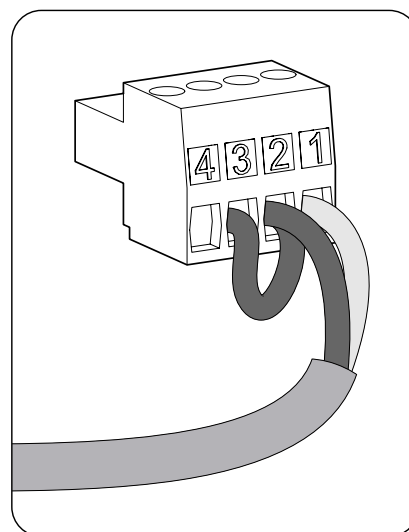
- Insérez les câbles du capteur de température dans les presse-étoupes prévus sur la partie inférieure de l'onduleur.
- Ingeteam recommande d'utiliser un capteur à trois fils, même s'il est possible d'en utiliser un à deux fils. Câblez le connecteur en respectant les polarités indiquées.

Capteur à trois fils



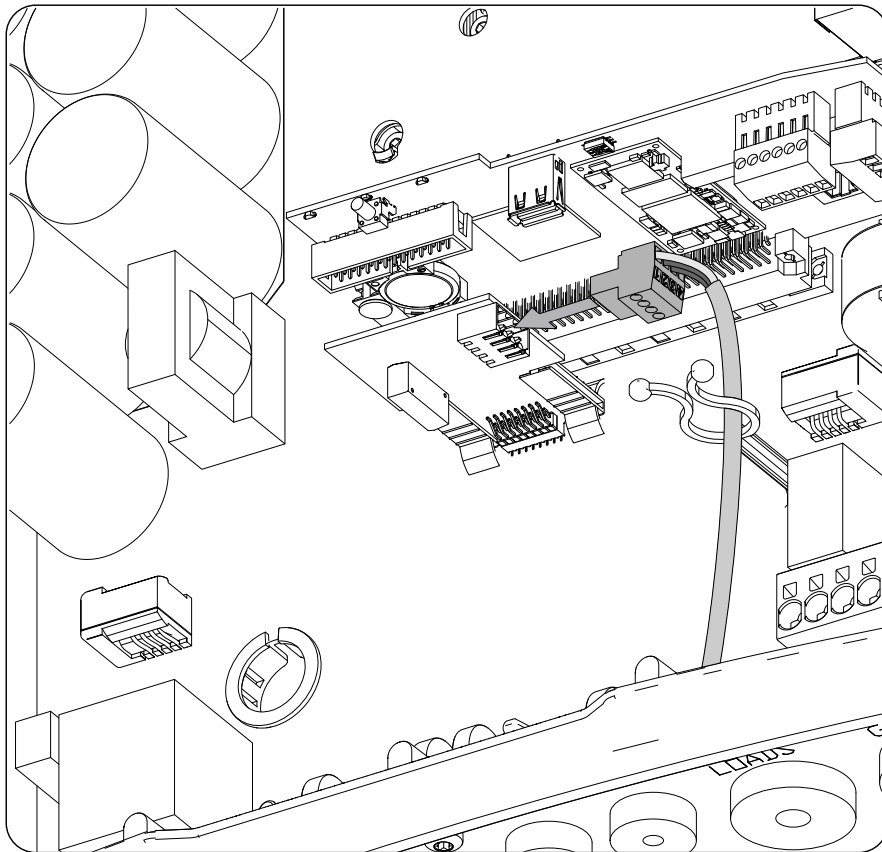
- 1 : W (blanc)
- 2 : R (rouge)
- 3 : R (rouge)
- 4 : Non utilisé

Capteur à deux fils



- 1 : W (blanc)
- 2 : R (rouge)
- 3 : Pont 2-3
- 4 : Non utilisé

5. Connectez le câble à la carte.



6. Vérifiez que le raccordement est solide.

10. Raccordement des charges critiques

Ces appareils disposent d'une sortie AC pour le raccordement des charges critiques de l'installation.

Ce chapitre explique les spécifications et le processus de raccordement à l'appareil des câbles des charges critiques. Lisez-le attentivement avant de commencer le processus de raccordement.

10.1. Consignes de sécurité pour le raccordement des charges critiques

⚠ ATTENTION

Avant de commencer à réaliser les raccordements, veillez à ce que l'onduleur soit hors tension. Vérifiez que les protections du réseau/générateur, des charges critiques, du système de stockage et du champ photovoltaïque sont ouvertes.

N'alimentez pas l'appareil avant d'avoir réalisé correctement tous les autres raccordements et de l'avoir refermé.

Lorsque vous effectuez les raccordements, respectez les polarités indiquées sur la sérigraphie de la carte électronique.

Ingeteam n'est pas responsable des dommages qu'un mauvais raccordement pourrait entraîner.

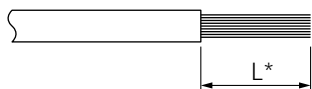
i INFO

Dans les système de mise à la terre TT, lorsque l'onduleur travaille sans réseau AC, le neutre des charges critiques est connecté à la terre automatiquement par l'onduleur. Cet appareil dispose d'un relais interne dédié pour réaliser cette fonction.

10.2. Spécifications des câbles de raccordement des charges critiques

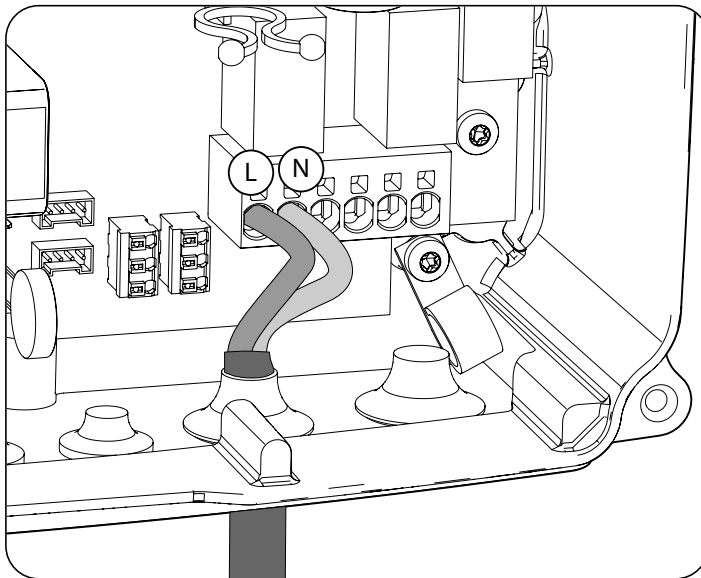
Le tableau suivant indique la section des câbles pour le raccordement des charges critiques :

	INGECON SUN STORAGE 1Play TL M
	Jusqu'à 32 A
Section de câblage maximale	6 mm ²
Diamètre câbles	11 ~ 17 mm
Longueur des câbles à dénuder (L*)	18 mm



10.3. Processus de raccordement des charges critiques

Pour réaliser le raccordement des charges critiques, suivez les indications ci-dessous :



L Ligne
N Neutre

1. Insérez les câbles des charges critiques dans le presse-étoupes prévu (voir la section [«2.5. Description des accès de câbles»](#)).
2. Connectez-les aux bornes de type *push-in* signalées comme *J82 Critical Loads* en respectant les polarités. Le fonctionnement de ce type de borne est décrit dans la section [«7. Raccordement/déconnexion des câbles sur des bornes de type push-in»](#).
3. Vérifiez que la connexion à ressort *push-in* est solide.

11. Raccordement du réseau/générateur auxiliaire

En fonction des besoins et des caractéristiques de l'installation, on peut disposer d'un réseau de distribution électrique ou d'un générateur auxiliaire. Ce chapitre explique les spécifications et le processus de raccordement des câbles du réseau ou du générateur auxiliaire à l'appareil.

⚠ DANGER

Avant de procéder au raccordement du réseau, identifiez son système de mise à la terre TT ou TN. Risque d'électrocution en raison d'un mauvais raccordement du conducteur neutre.

i INFO

Les systèmes de mise à la terre TT et TN peuvent être utilisés avec cet appareil. Le système utilisé devra être sélectionné via sa configuration.

Si le conducteur neutre est mal connecté, les charges critiques ne peuvent pas être mises à la terre. Dans les systèmes TT, si l'onduleur n'est pas connecté au réseau/générateur auxiliaire, le relais de transfert interne doit déconnecter le conducteur neutre entre les charges critiques et le réseau/générateur auxiliaire. En revanche, dans les systèmes TN, le conducteur neutre doit être le même entre les charges critiques et le réseau/générateur auxiliaire. Il ne peut donc pas être coupé.

11.1. Consignes de sécurité pour le raccordement du réseau/générateur auxiliaire

⚠ ATTENTION

Avant de commencer à réaliser les raccordements, veillez à ce que l'onduleur soit hors tension. Vérifiez que les protections du réseau/générateur, des charges critiques, du système de stockage et du champ photovoltaïque sont ouvertes.

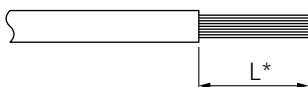
N'alimentez pas l'appareil avant d'avoir réalisé correctement tous les autres raccordements et de l'avoir refermé.

Lorsque vous effectuez les raccordements, respectez les polarités indiquées sur la sérigraphie de la carte électronique.

11.2. Spécifications des câbles pour le raccordement du réseau/générateur auxiliaire

La section des câbles pour le raccordement du réseau/générateur auxiliaire est indiquée dans le tableau suivant :

	INGECON SUN STORAGE 1Play TL M
	Jusqu'à 32 A
Section de câblage maximale	6 mm ²
Diamètre câbles	11 ~ 17 mm
Longueur des câbles à dénuder (L*)	18 mm



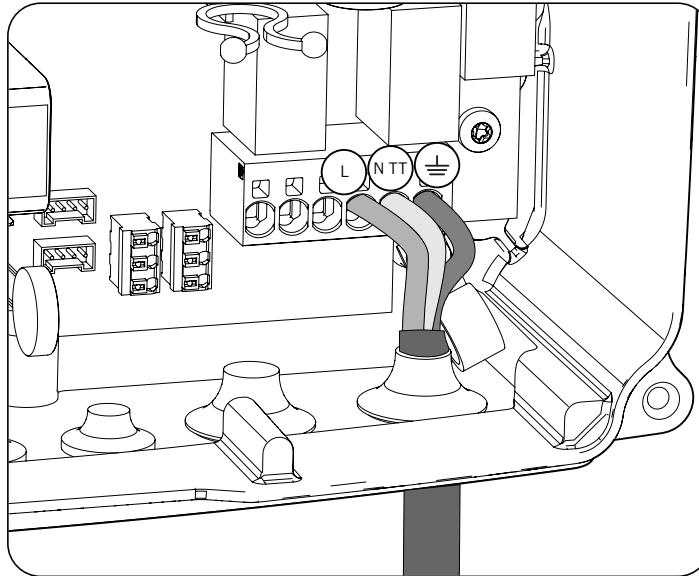
11.3. Processus de raccordement du réseau/générateur auxiliaire

⚠ ATTENTION

Que ce soit pour les systèmes TT ou TN, il faut connecter le câble de terre à la cosse de terre de l'onduleur.

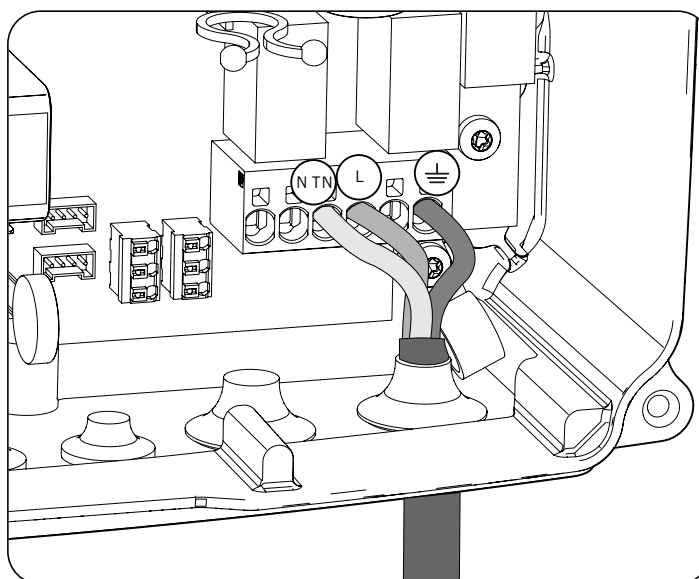
Selon qu'il s'agit d'un système de mise à la terre, TT ou TN, procédez comme suit.

Système de mise à la terre TT



1. Insérez le faisceau de câbles dans le presse-étoupes indiqué *GRID/GENSET*.
2. Insérez les câbles respectifs dans les bornes de type push-in signalées comme *J82 GRID*, en respectant la polarité. Le connecteur neutre doit être raccordé à la borne *J82 N_{TT}*. Le fonctionnement de ce type de borne est décrit dans la section «[7. Raccordement/déconnexion des câbles sur des bornes de type push-in](#)».
3. Vérifiez que la connexion à ressort *push-in* est solide.

Système de mise à la terre TN



1. Insérez le faisceau de câbles dans le presse-étoupes indiqué *GRID/GENSET*.

2. Insérez les câbles respectifs dans les bornes de type push-in signalées comme *J82 GRID*, en respectant la polarité. Le connecteur neutre doit être raccordé à la borne *J82 N_{TN}*.
3. Vérifiez que la connexion à ressort *push-in* est solide.

12. Raccordement du champ photovoltaïque

Ces appareils disposent de deux entrées MPPT pour le raccordement de deux champs photovoltaïques indépendants.

Ce chapitre explique les spécifications et le processus de raccordement des câbles des champs photovoltaïques à l'appareil. Lisez-le attentivement avant de commencer le processus de raccordement.

⚠ ATTENTION

Les champs photovoltaïques ne peuvent pas être mis à la terre. Leurs cosses doivent donc être isolées de la terre.

i INFO

L'onduleur ne démarre que si l'impédance du champ photovoltaïque par rapport à la terre est supérieure à 18,3 kOhms.

12.1. Consignes de sécurité pour le raccordement du champ photovoltaïque

⚠ ATTENTION

Avant de commencer à réaliser les raccordements, veillez à ce que l'onduleur soit hors tension. Vérifiez que les protections du réseau/générateur, des charges critiques, du système de stockage et des champs photovoltaïques sont ouvertes.

N'alimentez pas l'appareil avant d'avoir réalisé correctement tous les autres raccordements et de l'avoir refermé.

Lorsque vous effectuez les raccordements, respectez les polarités indiquées sur l'appareil.

Ingeteam n'est pas responsable des dommages qu'un mauvais raccordement pourrait entraîner.

12.2. Spécifications des câbles de raccordement du champ photovoltaïque

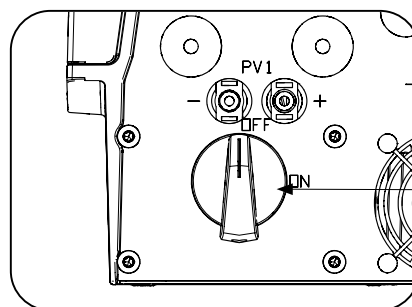
La section des câbles de raccordement du champ photovoltaïque est indiquée dans le tableau suivant :

INGECON SUN STORAGE 1Play TL M	
Section de câbles	4 ~ 6 mm ²
Type de connecteur	MC4

12.3. Processus de raccordement du champ photovoltaïque

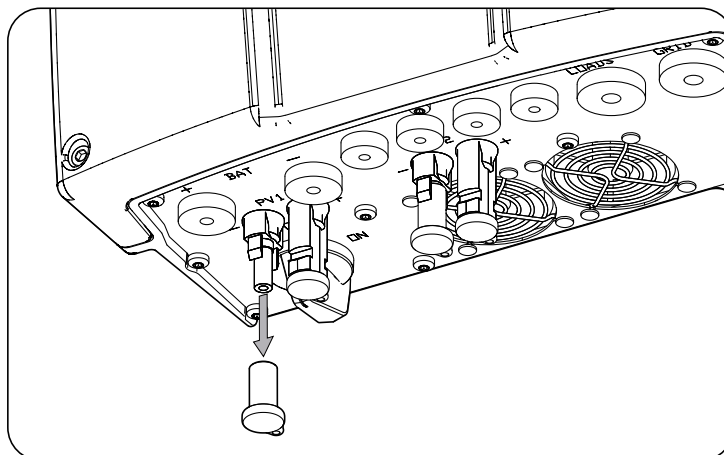
Pour connecter le champ photovoltaïque, procédez comme suit :

1. Assurez-vous que le sectionneur DC du champ photovoltaïque installé dans la partie inférieure de l'appareil est en position d'arrêt.

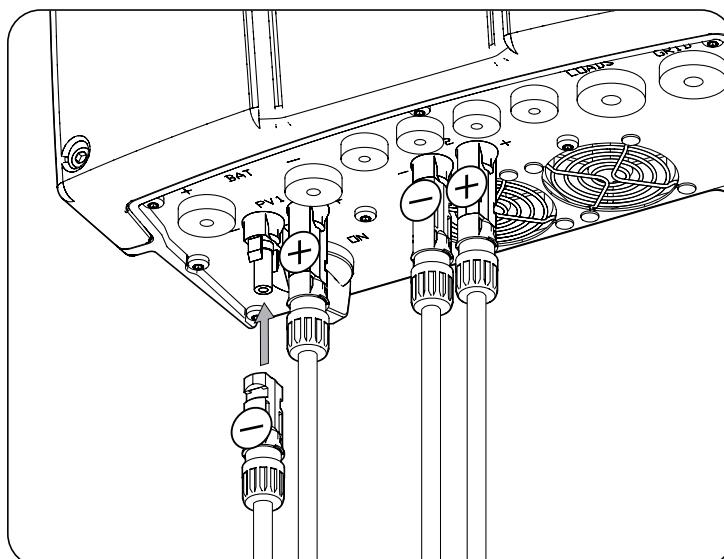


Sectionneur DC du champ photovoltaïque

2. Retirez les bouchons des connecteurs rapides.



3. Introduisez les connecteurs en respectant les polarités indiquées sur la plaque de raccordement inférieure de l'appareil.



4. Contrôlez que les raccordement sont fixés fermement. Si vous souhaitez retirer les connecteurs aériens, utilisez l'outil spécifique pour cela.

13. Raccordement de la communication RS-485 pour le wattmètre externe

Dans les installations d'autoconsommation, l'usage d'un wattmètre externe au point de raccordement au réseau de distribution permet à l'onduleur de commander toutes les charges existantes, qu'elles soient critiques ou non.

Ce chapitre explique les spécifications du câblage de la communication RS-485 et son processus de raccordement au Wattmètre externe. Lisez-le attentivement avant de commencer le processus de raccordement.

INFO

Afin d'obtenir plus d'informations sur les wattmètres compatibles veuillez consulter la « Liste de wattmètres compatibles avec l'INGECON SUN STORAGE 1Play TL M », disponible sur le site Internet d'Ingeteam. Si le modèle de wattmètre requis ne figure pas dans la liste, contactez Ingeteam. De plus, les wattmètres figurant dans cette liste doivent être configurés à un débit en bauds de 9600.

13.1. Consignes de sécurité pour le raccordement de la communication RS-485 pour le wattmètre externe

ATTENTION

Avant de commencer à réaliser les raccordements, veillez à ce que l'onduleur soit hors tension. Vérifiez que les protections du réseau/générateur, des charges critiques, du système de stockage et du champ photovoltaïque sont ouvertes.

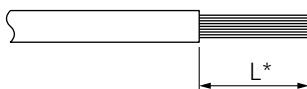
N'alimentez pas l'appareil avant d'avoir réalisé correctement tous les autres raccordements et de l'avoir refermé.

Lorsque vous effectuez les raccordements, respectez les polarités indiquées sur la sérigraphie de la carte électronique.

13.2. Spécifications du câblage pour le raccordement de la communication RS-485 pour le wattmètre externe

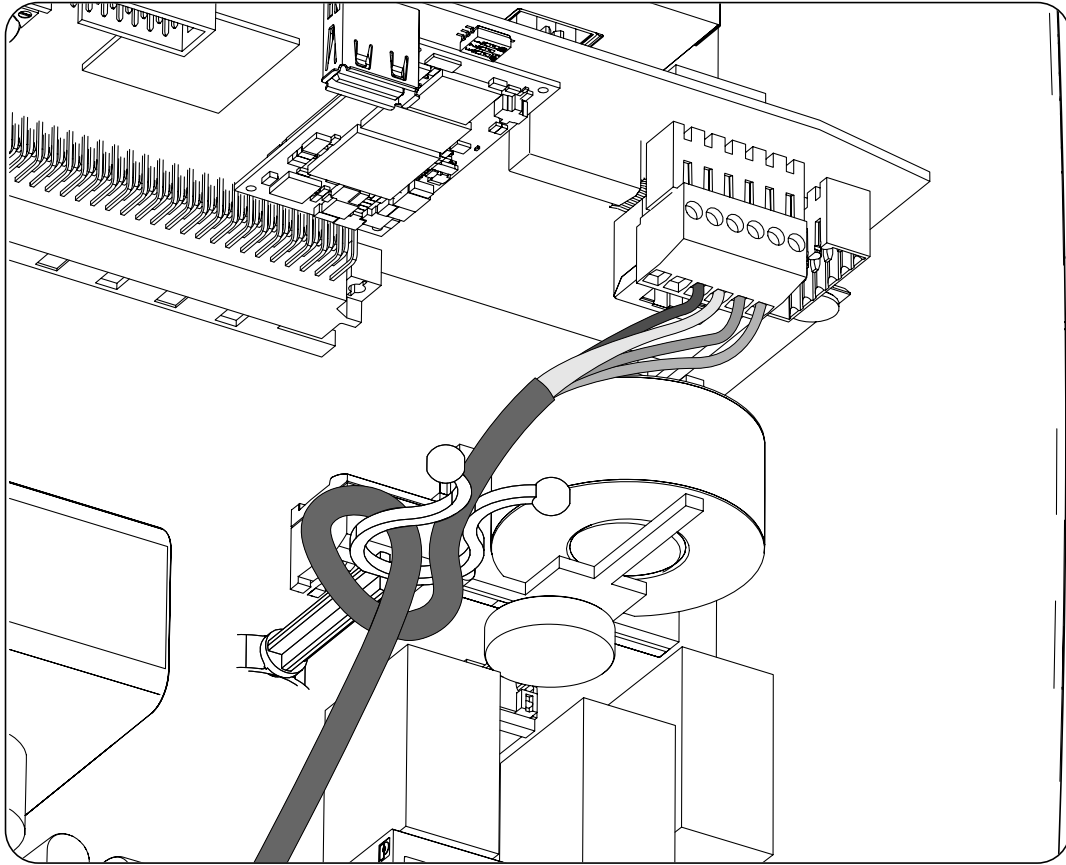
La section des câbles pour le raccordement de la communication RS-485 est indiquée dans le tableau suivant :

INGECON SUN STORAGE 1Play TL M	
Section câbles	0,25 mm ² ~ 1,5 mm ²
Diamètre câbles	5 ~ 9 mm
Longueur des câbles à dénuder (L*)	8 mm



13.3. Processus de raccordement de la communication RS-485 pour le wattmètre externe

Procédez comme suit :



1. Insérez les câbles de communication RS-485 dans le presse-étoupes destiné à cet usage (voir section «2.5. Description des accès de câbles»).
2. Connectez les câbles à la borne *J8 WATTMETER*, comme indiqué dans la figure ci-dessus, en respectant les indications de la sérigraphie de la carte électronique (*GND, SHIELD, A-, B+*).
3. Guidez le câble sur le support en plastique et, si nécessaire, fixez-le.
4. Vérifiez que le raccordement est solide.

14. Raccordement de la communication CAN des batteries lithium-ion

INFO

Consultez la liste des batteries lithium-ion homologuées disponible sur la page Web d'Ingeteam.

L'installation de la communication CAN permet à l'onduleur de contrôler les batteries lithium-ion avec BMS (*Battery Management System*).

Ce chapitre explique les spécifications et le processus de raccordement à l'appareil des câbles de communication CAN des batteries lithium-ion avec BMS. Lisez-le attentivement avant de commencer le processus de raccordement.

14.1. Consignes de sécurité pour le raccordement de la communication CAN des batteries lithium-ion

ATTENTION

Avant de commencer à réaliser les raccordements, veillez à ce que l'onduleur soit hors tension. Vérifiez que les protections du réseau/générateur, des charges critiques, du système de stockage et du champ photovoltaïque sont ouvertes.

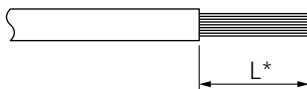
N'alimentez pas l'appareil avant d'avoir réalisé correctement tous les autres raccordements et de l'avoir refermé.

Lorsque vous effectuez les raccordements, respectez les polarités indiquées sur la sérigraphie de la carte électronique.

14.2. Spécifications des câbles pour le raccordement de la communication CAN des batteries lithium-ion

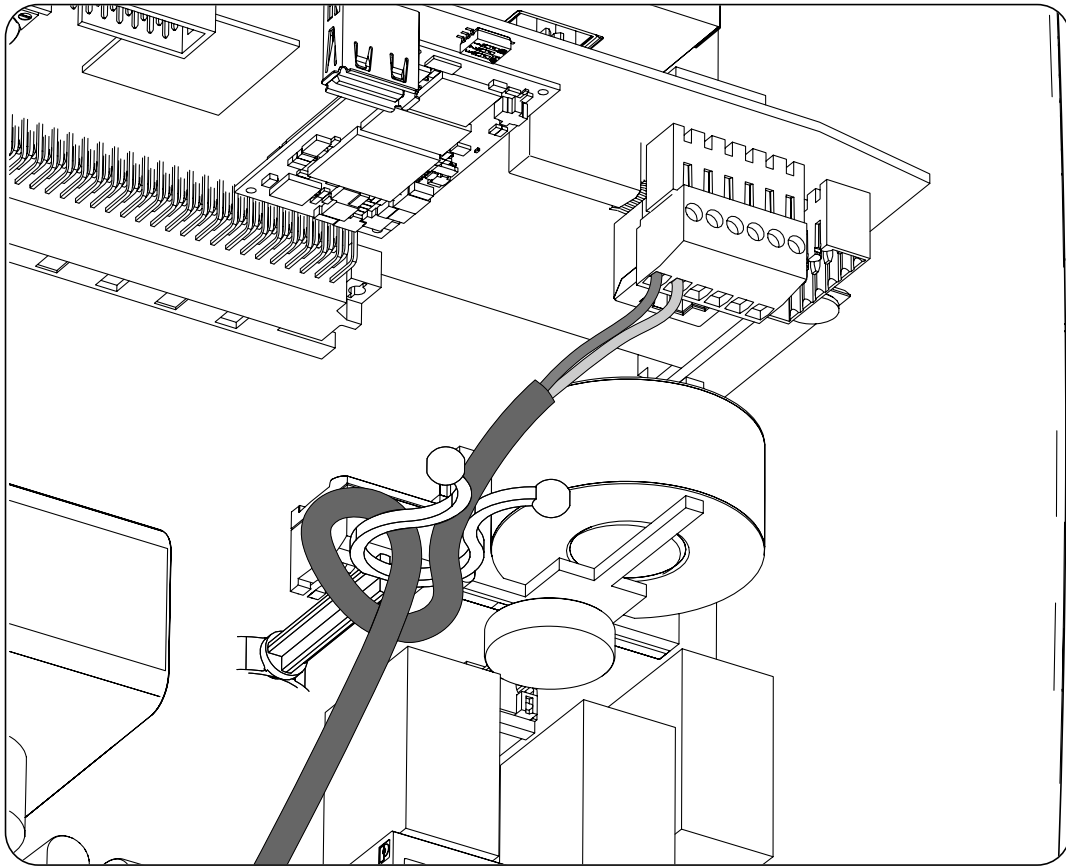
La section des câbles de raccordement de la communication CAN du système de gestion du système de stockage est indiquée dans le tableau suivant :

INGECON SUN STORAGE 1Play TL M	
Section câbles	0,25 mm ² ~ 1,5 mm ²
Diamètre câbles	5 ~ 9 mm
Longueur des câbles à dénuder (L*)	8 mm



14.3. Processus de raccordement de la communication CAN des batteries lithium-ion

Pour connecter la communication CAN, procédez comme suit :



1. Insérez les câbles de communication CAN dans le presse-étoupes destiné à cet usage (voir section «2.5. Description des accès de câbles»).
2. Raccordez les câbles à la borne JB BMS, comme indiqué dans la figure ci-dessus, en respectant les indications de la sérigraphie de la carte électronique (CAN_L, CAN_H).
3. Guidez le câble sur le support en plastique et, si nécessaire, fixez-le.
4. Vérifiez que le raccordement est solide.

15. Raccordement des sorties numériques

Ces appareils sont équipés de deux contacts libres de potentiel. Les deux sorties numériques disposent d'un contact normalement ouvert (NO) de 5 A 250 Vac et d'un contact normalement fermé (NC) de 2 A 250 Vac. Elles peuvent être configurées pour différentes utilisations.

Ce chapitre explique les spécifications et le processus de raccordement des câbles des sorties numériques à l'appareil. Lisez-le attentivement avant de commencer le processus de raccordement.

15.1. Consignes de sécurité pour le raccordement des sorties numériques

⚠ ATTENTION

Avant de commencer à réaliser les raccordements, veillez à ce que l'onduleur soit hors tension. Vérifiez que les protections du réseau/générateur, des charges critiques, du système de stockage et du champ photovoltaïque sont ouvertes.

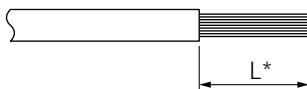
N'alimentez pas l'appareil avant d'avoir réalisé correctement tous les autres raccordements et de l'avoir refermé.

Lorsque vous effectuez les raccordements, respectez les polarités indiquées sur la sérigraphie de la carte électronique.

15.2. Spécifications des câbles de raccordement des sorties numériques

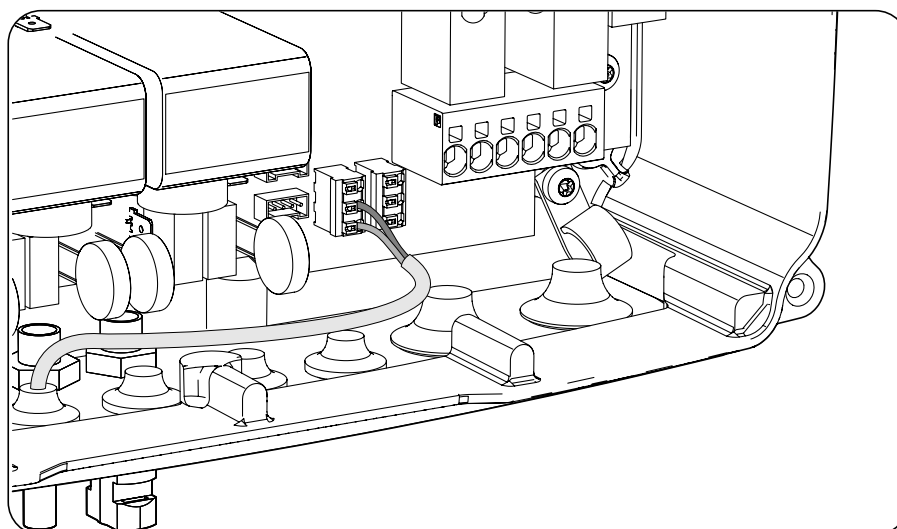
La section des câbles de raccordement des sorties numériques est indiquée dans le tableau suivant :

INGECON SUN STORAGE 1Play TL M	
Section câbles	0,25 mm ² ~ 1,5 mm ²
Diamètre câbles	5 ~ 9 mm
Longueur des câbles à dénuder (L*)	8 mm



15.3. Processus de raccordement des sorties numériques

Pour réaliser le raccordement des sorties numériques, suivez les indications ci-dessous :



Sortie Numérique 1	J36 EXT RELAY 1
Sortie Numérique 2	J44 EXT RELAY 2

1. Insérez les câbles de communication CAN dans le presse-étoupes destiné à cet usage [«2.5. Description des accès de câbles»](#).
2. Si vous souhaitez utiliser le contact normalement ouvert, connectez les câbles sur les positions NO et COM des bornes *J36 EXT. 1 RELAY* et/ou *J44 EXT. 2 RELAY* comme indiqué dans la figure ci-dessus.
3. Si vous souhaitez utiliser le contact normalement fermé, connectez les câbles sur les positions NC et COM des bornes *J36 EXT. 1 RELAY* et/ou *J44 EXT. 2 RELAY* comme indiqué dans la figure ci-dessus.
4. Vérifiez que le raccordement est solide.

16. Raccordement des entrées numériques

Ces appareils sont équipés d'une entrée DRMO nécessaire pour répondre à la réglementation australienne AS4777.2, et de deux entrées numériques qui peuvent être configurées pour différentes utilisations.

Ce chapitre explique les spécifications et le processus de raccordement à l'appareil des câbles des entrées numériques. Lisez-le attentivement avant de commencer le processus de raccordement.

16.1. Consignes de sécurité pour le raccordement de l'entrée numérique

⚠ ATTENTION

Avant de commencer à réaliser les raccordements, veillez à ce que l'onduleur soit hors tension. Vérifiez que les protections du réseau/générateur, des charges critiques, du système de stockage et du champ photovoltaïque sont ouvertes.

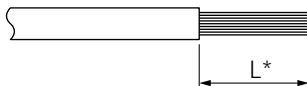
N'alimentez pas l'appareil avant d'avoir réalisé correctement tous les autres raccordements et de l'avoir refermé.

Lorsque vous effectuez les raccordements, respectez les polarités indiquées sur la sérigraphie de la carte électronique.

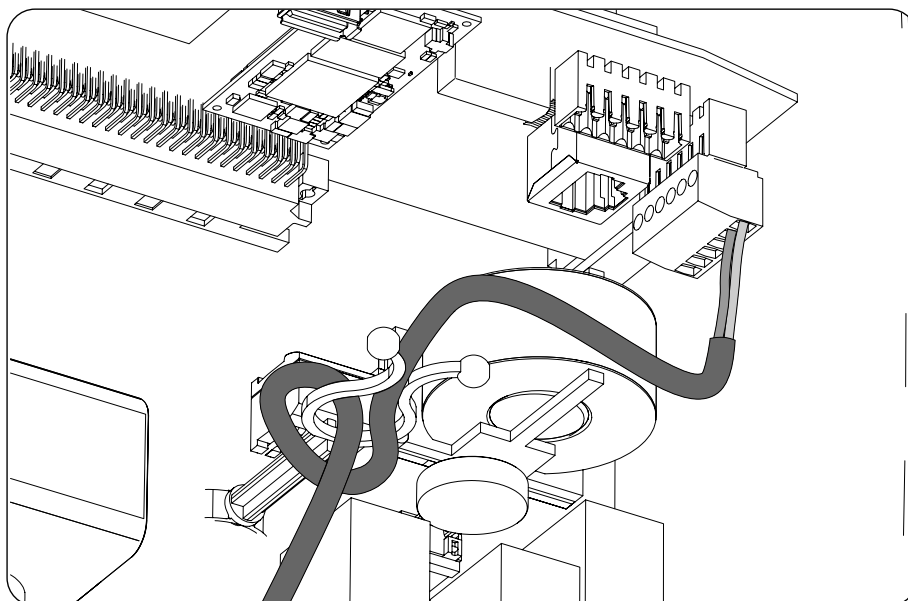
16.2. Spécifications des câbles de raccordement de l'entrée numérique

Le tableau suivant indique la section des câbles pour le raccordement des entrées numériques :

INGECON SUN STORAGE 1Play TL M	
Section câbles	0,25 mm ² ~ 1,5 mm ²
Diamètre câbles	5 ~ 9 mm
Longueur des câbles à dénuder (L*)	8 mm



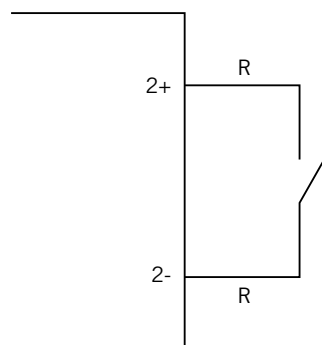
16.3. Processus de raccordement des entrées numériques



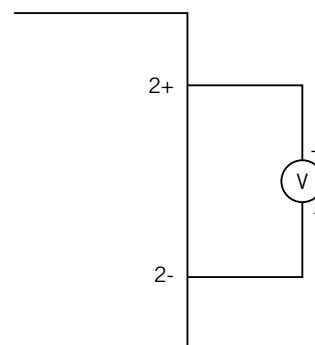
Hardware de type B	
Entrée numérique DRMO	J11 DIGITAL INPUT DRMO
Entrée Numérique 2	J11 DIGITAL INPUT 2
Entrée Numérique 3	J11 DIGITAL INPUT 3

Cette entrée numérique *DRMO* est nécessaire pour répondre à la réglementation australienne AS4777.2 selon laquelle un dispositif externe appelé *DRED* doit contrôler l'appareil via ce raccordement.

Les entrées 2 et 3 peuvent être configurées pour différentes utilisations (voir section «19.7.13. Configuration des entrées numériques») et utilisées avec un contact sans potentiel ou une source de tension externes.



Contact sans potentiel externe



Source d'alimentation externe

Voici le tableau de vérité de ces entrées :

Connecteur		CPU
Contact sans potentiel	Niveau de tension	
Ouvert	5 V ~ 24 V	« 0 »
Fermé (R < 100 Ohm)	0 V	« 1 »
Fermé (R > 100 Ohm)	1 V ~ 5 V	X

Connectez les entrées numériques dans l'ordre suivant :

1. Insérez les câbles dans le presse-étoupes destiné à cet usage (voir section «2.5. Description des accès de câbles»).
2. Connectez les câbles à la borne J11 DIGITAL INPUT, comme indiqué dans les figures ci-dessus, en respectant les polarités indiquées sur la sérigraphie de la carte électronique.
3. Guidez le câble sur le support en plastique et, si nécessaire, fixez-le.
4. Vérifiez que le raccordement est solide.

17. Raccordement d'Ethernet TCP

Ces appareils disposent de communication Wi-Fi et Ethernet TCP.

Pour la communication sans fil avec l'onduleur, celui-ci est équipé d'une antenne Wi-Fi intérieure.

Pour la communication par câble, il est nécessaire d'utiliser un câble Ethernet TCP.

Ce chapitre explique le processus de raccordement de la communication Ethernet TCP.

17.1. Consignes de sécurité pour le raccordement Ethernet TCP

ATTENTION

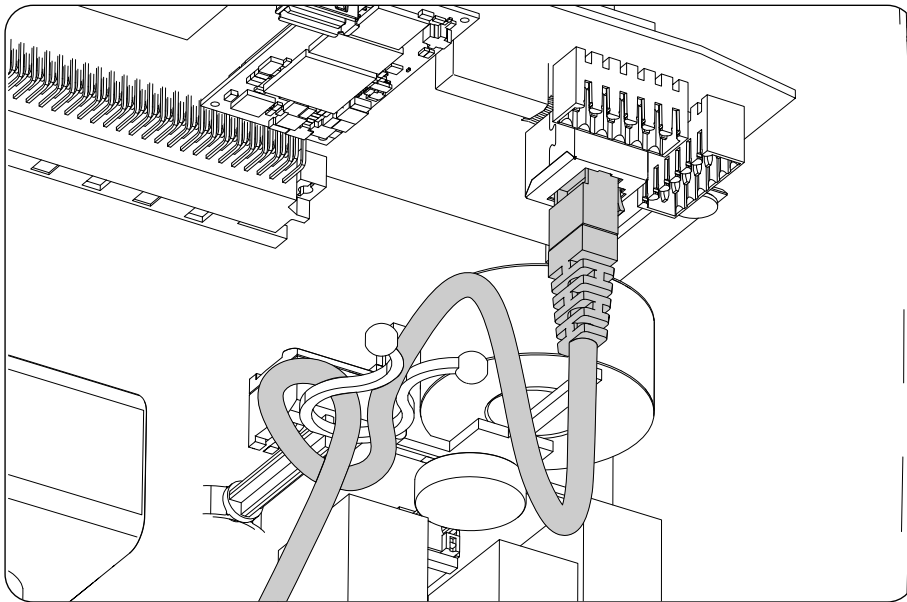
Avant de commencer à réaliser les raccordements, veillez à ce que l'onduleur soit hors tension. Vérifiez que les protections du réseau/générateur, des charges critiques, du système de stockage et du champ photovoltaïque sont ouvertes.

N'alimentez pas l'appareil avant d'avoir réalisé correctement tous les autres raccordements et de l'avoir refermé.

17.2. Processus de raccordement de l'Ethernet TCP

Pour raccorder les câbles d'Ethernet TCP, procédez comme suit :

1. Insérez le câble de communication Ethernet TCP sans le connecteur RJ45 dans le presse-étoupes destiné à cet usage (voir section «[2.5. Description des accès de câbles](#)»).
2. Sertissez le connecteur RJ45 au câble Ethernet TCP.
3. Connectez le câblage d'Ethernet TCP au connecteur *J10*.



4. Guidez le câble sur le support en plastique et, si nécessaire, fixez-le.
5. Vérifiez que le raccordement est solide.

18. Mise en service

Ce chapitre décrit les étapes à suivre pour mettre l'appareil en service.

18.1. Révision de l'appareil

Il faut vérifier le bon état de l'installation avant la mise en marche.

Chaque installation diffère au niveau de ses caractéristiques, du pays où elle est installée ou d'autres conditions particulières qui s'y appliquent. Dans tous les cas, avant de procéder à la mise en marche, assurez-vous que l'installation est conforme à la loi et aux réglementations applicables et qu'elle est terminée, au moins la partie qui va être mise en marche.

18.1.1. Inspection

Avant de mettre en service les onduleurs, il faut réaliser une vérification générale des éléments suivants des appareils :

Vérification du câblage

- Vérifiez que les câbles sont correctement assemblés aux connecteurs de la partie inférieure de la carcasse.
- Vérifiez que ces câbles sont en bon état, et qu'il n'existe pas de conditions qui pourraient les endommager, comme par exemple des sources de chaleur intense, des objets coupants ou des dispositions qui les exposent à des risques d'impacts ou de coups.

Examiner la fixation de l'appareil

Vérifiez que l'appareil est solidement fixé et ne risque pas de tomber.

18.1.2. Fermeture hermétique de l'appareil

Lors de l'installation, assurez-vous que les opérations de raccordement de l'appareil n'ont pas altéré son degré d'étanchéité.

Veillez à ce que les connecteurs et les presse-étoupes soient bien ajustés.

Couvercle

Si le couvercle avant a été ouvert, fixez-le à l'appareil à l'aide de ses quatre vis, en suivant ces directives :

1. Assurez-vous que le couvercle est correctement aligné avec le meuble. Ceci peut être facilement vérifié en regardant si les orifices du couvercle et du meuble sont concentriques.
2. Lubrifiez les vis. Lors de l'ouverture de l'appareil, il est obligatoire de lubrifier les vis avant de les replacer afin d'éviter qu'elles ne grippent.
3. Insérez manuellement les quatre vis dans leurs orifices filetés, en commençant par celle du coin supérieur droit, puis par celle du coin inférieur gauche et enfin les deux autres.
4. Serrez les vis jusqu'à appliquer un couple de serrage maximum de 5 Nm avec un outil calibré.
5. Veillez à la conservation de son étanchéité.

La garantie ne couvre pas les dommages occasionnés par une fermeture inadéquate de l'appareil.

18.2. Mise en service

ATTENTION

Les tâches décrites dans ce paragraphe doivent toujours être réalisées avec l'appareil fermé, évitant ainsi d'éventuels contacts avec des éléments sous tension.


Une fois que vous avez réalisé une inspection visuelle générale, une vérification des câbles et de la bonne fermeture, mettez l'appareil sous tension à partir du parc de batteries et/ou du champ photovoltaïque.

Assurez-vous que le sectionneur DC du champ photovoltaïque est en position de marche.

Si après quelques secondes rien ne se produit sur les LED du couvercle, vérifiez que les polarités indiquées dans les raccordements des batteries et/ou du champ photovoltaïque ont été respectées.


18.2.1. Première configuration de l'appareil


i INFO





Pour plus d'informations sur la mise en service de l'onduleur, visitez le site https://www.ingeconsuntraining.info/?page_id=25439

Pour commander l'onduleur depuis un smartphone ou une tablette, l'installation de l'app INGECON SUN Monitor est nécessaire, celle-ci est disponible depuis Apple Store et Play Store.









<https://apps.apple.com/br/app/ingecon-sun-monitor/id1434881715>


<https://play.google.com/store/apps/details?id=com.ingeteam.ingecon.sunmonitor>

L'interface utilisateur Web permet de configurer facilement l'onduleur, aussi bien dans des installations isolées que dans celles connectées au réseau, via un ordinateur ou un smartphone.

Par défaut l'onduleur agit comme point d'accès Wi-Fi, en créant un réseau SoftAP avec un SSID du type *Ingeteam_IGMxxxxxAxx_MMMM*. Par défaut, ce réseau est protégé avec le mot de passe *ingeconsun*.

Suivez les indications suivantes pour établir une connexion locale et configurer l'onduleur :

Connexion depuis un smartphone ou une tablette

1. Installez l'application INGECON SUN Monitor.
2. Enregistrez-vous comme installateur agréé et accédez à l'icône  pour vous connecter localement à l'onduleur.
3. Suivez les étapes indiquées pour accéder à l'application Web de l'appareil.

Connexion depuis un ordinateur.

1. Connectez-vous au réseau Wi-Fi généré par l'onduleur.
2. Accédez à l'application depuis votre navigateur à l'adresse <http://169.254.1.1>. Vous devrez vous enregistrer comme installateur agréé.

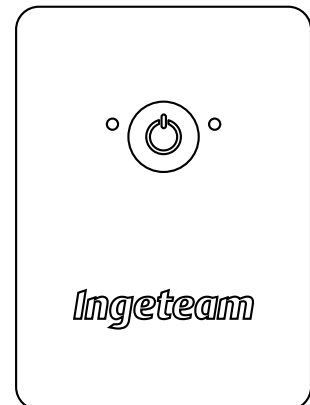
Lors de la première connexion, un assistant vous indique les étapes à suivre pour réaliser une configuration optimale de l'appareil.

19. Utilisation de l'appareil

La gestion du fonctionnement de l'onduleur s'effectue via le panneau de commande et/ou l'application Web.

Pour mettre en marche ou arrêter l'onduleur, il est possible d'utiliser le panneau de commande composé de deux boutons et de leurs LED correspondantes.

La gestion complète s'effectue via l'application Web.



19.1. Panneau de commande

Le panneau de commande dispose d'un bouton et trois LED :

Bouton On/Off

Fait passer l'état de l'onduleur de marche à arrêt et inversement. Il faut appuyer pendant plus d'une seconde.

Ce bouton est également accessible depuis l'application Web.

LED On/Off (vert/rouge)

- Vert, clignotante : l'onduleur est en marche.
- Vert, allumée : l'onduleur produit de la tension sur les charges critiques ou est connecté au réseau/générateur auxiliaire.
- Rouge, allumé : onduleur à l'état d'arrêt manuel.
- Éteinte : l'onduleur est déconnecté ou n'a pas de firmware.

LED d'information d'état (orange)

- Clignotante : l'onduleur présente un avertissement actif.
- Allumée : l'onduleur ou la batterie présente une alarme active.

LED communication (bleue)

- Clignotante : l'onduleur tente de se connecter à INGECON SUN Monitor.
- Allumée : l'onduleur est connecté à INGECON SUN Monitor.
- Éteinte : l'onduleur n'est pas connecté à INGECON SUN Monitor.

19.2. Gestion de l'onduleur via l'application Web

L'application Web permet de monitorer et configurer l'onduleur afin de l'adapter à tout type d'installation.

Il est possible d'accéder à l'application Web depuis différents types de dispositifs (smartphone, tablette ou ordinateur). La gestion de l'onduleur depuis l'application Web peut être réalisée localement (onduleur et dispositif connectés au même réseau de communication) ou à distance (onduleur et dispositif connectés à des réseaux de communication différents).

Les sections suivantes décrivent le processus de connexion de l'onduleur localement ou à distance.

Pour la connexion initiale à l'onduleur en mode local, au cours de laquelle il sera configuré, celui-ci propose deux modes de communication :

- Interface Ethernet en mode DHCP.

- Interface Wi-Fi en mode *Access Point*.

19.3. Connexion locale à l'onduleur via votre réseau Wi-Fi


INFO

Le réseau de communication Wi-Fi généré par l'onduleur est un réseau dont la fréquence sans fil est de 2.4 GHz.

L'onduleur est muni d'une étiquette indiquant le SSID et le mot de passe du réseau Wi-Fi (*Default local Wi-Fi access point*).

L'onduleur agit comme point d'accès Wi-Fi, en créant un réseau SoftAP. Pour réaliser une connexion locale à ce réseau, procédez comme suit :

Connexion depuis un smartphone ou une tablette

1. Installez l'application INGECON SUN Monitor.
2. Enregistrez-vous comme installateur agréé et accédez à l'icône  pour vous connecter localement à l'onduleur.
3. Suivez les étapes indiquées pour accéder à l'application Web de l'appareil.

Connexion depuis un ordinateur.

1. Connectez-vous au réseau Wi-Fi généré par l'onduleur.
2. Accédez à l'application depuis votre navigateur à l'adresse <http://169.254.1.1>. Vous devrez vous enregistrer comme installateur agréé.
3. Accédez à l'aide du nom d'utilisateur et du mot de passe définis sur l'étiquette apposée sur l'onduleur (*Default local access login*).

19.4. Connexion de l'onduleur à un réseau Wi-Fi

INFO

Le réseau de communication Wi-Fi que l'on souhaite connecter à l'onduleur doit être un réseau d'une fréquence sans fil de 2.4 GHz.

Ingeteam spécifie que le niveau minimum de signal Wi-Fi reçu par l'onduleur doit être supérieur à 50 % (-75 dBm) afin de garantir une connectivité optimale.

Si vous souhaitez connecter l'onduleur à un réseau Wi-Fi existant, respectez les étapes suivantes :

1. Connectez-vous localement à l'onduleur (voir «19.3. Connexion locale à l'onduleur via votre réseau Wi-Fi»).
2. Accédez au menu Comms dans la partie supérieure.
3. Sur le panneau gauche, sélectionnez Wi-Fi.
4. Cliquez sur *CONNECT to Wi-Fi Network*. Une liste des réseaux Wi-Fi disponibles apparaît alors. Sélectionnez le réseau souhaité et saisissez le mot de passe le cas échéant.

INFO

Si le nom d'identification SSID d'un réseau Wi-Fi ne peut pas être montré à l'utilisateur, saisissez le nom du réseau dans le champ *Custom SSID*.

19.5. Connexion à l'onduleur à distance

Pour vous connecter à l'onduleur à distance, vous devez être connecté à Internet via un réseau Wi-Fi ou via Ethernet. Une fois connecté à Internet, procédez comme suit :

1. Accédez à INGECON SUN Monitor.

2. Créez une centrale avec le *Device ID* et *Password* de l'onduleur. Ces deux informations figurent sur l'étiquette présente sur l'onduleur.
3. Accédez à la centrale pour voir le monitoring de l'installation. Vous pourrez également accéder à l'application Web de l'appareil.

i INFO

Tenir compte des spécifications suivantes :

- L'onduleur doit être connecté à un réseau local, disposant d'une sortie Internet sur les ports UDP80 (ou UDP1194) et TCP8883.
- Le dispositif depuis lequel s'effectue la connexion à distance doit disposer d'une sortie Internet sur les ports TCP80, TCP22 et TCP9001.

Par défaut, les ports nécessaires à la communication à distance sont ouverts sur les routeurs. Dans le cas contraire, demandez l'ouverture de ces ports à l'administrateur réseau.

Assurez-vous que la passerelle et le masque de réseau sont corrects, car sinon l'onduleur n'aura aucun accès à Internet. Par défaut l'onduleur travaille par DHCP et il n'est pas nécessaire de configurer ces paramètres sur un réseau avec serveur DHCP.

Si vous souhaitez configurer l'onduleur avec une IP fixe, consultez les propriétés de configuration réseau d'un ordinateur ou d'un autre dispositif se trouvant sur le même réseau, ou demandez à l'administrateur réseau.

19.6. Monitoring de l'onduleur

Ces onduleurs peuvent être monitorés depuis l'application Web, localement ou à distance. Cette application Web propose également une visualisation graphique des données de l'onduleur.

Pour consulter toutes les variables de l'onduleur, accédez au menu de monitoring.

Grâce à l'*Energy Management System (EMS)* intégré à l'onduleur, l'installation peut être monitorée à distance depuis un ordinateur, une tablette ou un smartphone avec l'application gratuite INGECON SUN Monitor, disponible sur Play Store et l'App Store.

19.6.1. Monitoring par Modbus-TCP

Le gestionnaire énergétique EMS de cet onduleur utilise le protocole Modbus-TCP. En outre, la majorité des systèmes SCADA reposant sur la communication par Ethernet ou Wi-Fi utilisent le protocole Modbus-TCP de manière standardisée.

Ingeteam recommande un client unique connecté au port 502 et avec une période de requête par Modbus-TCP à l'équipement supérieure à 1 seconde, sans solliciter plus de 10 registres par requête. Dans le cas contraire, l'envoi correct des données de l'onduleur n'est pas assuré.

19.7. Configuration de l'onduleur

i INFO

L'accès au menu de configuration est réservé aux installateurs (personnel qualifié). Pour cela, il est nécessaire d'être enregistré comme installateur dans l'application.

Ingeteam n'est pas responsable de l'utilisation abusive du compte utilisateur et du mot de passe de l'installateur.

Dans l'application Web correspondante, ces onduleurs disposent d'une configuration de base (wizard) qui permet de configurer l'appareil de manière basique et l'adapter aux différents modes de fonctionnement. Pour lancer manuellement le wizard accédez au menu *Configuration > Setup Wizard > Launch guided wizard*.

En plus du wizard, ces appareils disposent d'un menu de configuration avancée pour installateurs experts.

Ce chapitre explique les fonctionnalités les plus pertinentes réalisables depuis ce menu.

19.7.1. Configuration du type de batterie

⚠ ATTENTION

Le type de batterie doit être sélectionné avec soin lors de la configuration. Ingeteam n'offre aucune garantie si le type de batteries de l'onduleur n'est pas correctement configuré.

Par exemple, si vous sélectionnez la batterie plomb-acide sur un onduleur équipé d'une batterie lithium-ion, cela risque d'endommager la batterie.

Les onduleurs peuvent fonctionner avec des batteries plomb-acide ou des batteries lithium-ion.

Batteries plomb-acide

Pour que les batteries plomb-acide fonctionnent correctement et afin d'éviter les surcharges et les décharges complètes, plusieurs paramètres liés au modèle de batterie installé doivent être configurés. Pour cela, rendez-vous dans *Configuration > Advanced Settings > Lead-Acid Battery Settings*.

⚠ ATTENTION

Si ces paramètres ne sont pas correctement configurés, cela peut réduire la durée de vie de la batterie. Ingeteam n'est pas responsable des conséquences d'une configuration incorrecte de l'appareil de la part de l'utilisateur et/ou de l'installateur.

Paramètre	Description
Nominal Voltage	Tension nominale du parc de batteries (V).
Minimum Voltage	Tension minimale du parc de batteries pour éviter les décharges complètes en coupant l'alimentation des appareils à partir des batteries (V).
Time for Minimum voltage	Durée de la tension minimale du parc de batteries. Durée (en secondes) pendant laquelle le parc de batteries doit être maintenu à la tension minimale pour éviter des décharges complètes.
Capacity (C20h)	Capacité C20 spécifiée par le fabricant de la batterie (Ah). Ce paramètre est utilisé pour déterminer avec précision l'état de charge de la batterie (SOC).
Capacity (C5h)	Capacité C5 spécifiée par le fabricant de la batterie (Ah). Ce paramètre est utilisé pour déterminer avec précision l'état de charge de la batterie (SOC).
Maximum Charge Current	Courant maximal de charge du parc de batteries (A).
Maximum Discharge Current	Courant maximal de décharge du parc de batteries (A).
Absorption voltage	Tension d'absorption du parc de batteries (V). Permet de réaliser une recharge des batteries à tension constante.
Flotation voltage	Tension d'entretien du parc de batteries (V). Permet de réaliser une recharge complète des batteries à tension constante.
Equalization voltage	Tension d'égalisation du parc de batteries (V). Ce paramètre est utilisé lorsqu'il est nécessaire de procéder à la maintenance des batteries à électrolyte liquide. Consultez le fabricant de la batterie au sujet de ce paramètre (voir « 19.13. Charge d'égalisation des batteries »).
Duration of Equalization charge	Durée de la charge d'égalisation. Durée (en minutes) pendant laquelle le parc de batteries doit être maintenu à la tension d'égalisation.

Les onduleurs permettent de surveiller la température de la batterie grâce au kit en option du capteur de température PT-100 pour éviter les surcharges et les charges incomplètes de la batterie plomb-acide (voir section «[9. Raccordement du kit en option du capteur de température PT-100 pour batteries plomb-acide](#)»). Ce kit permet d'adapter à tout moment la tension de charge à la température de la batterie. Il faut pour cela installer ce kit ainsi qu'un capteur PT-100, et configurer l'onduleur en activant la compensation automatique de la température.

À partir de 20 °C, l'onduleur réduit la tension de charge de la batterie. En dessous de 20 °C, l'onduleur augmente la tension de charge de la batterie. Pour modifier la constante de compensation en mV/°C/cellule et/ou activer la compensation automatique de la température, rendez-vous dans *Configuration > Advanced Settings > Lead-Acid Battery Settings*.

Paramètre	Description
Mode	Permet d'activer ou désactiver la compensation automatique de température des batteries plomb-acide.

Paramètre	Description
Temperature compensation	Température de compensation d'une cellule, en $-mV/^{\circ}C/Cell$. Consultez la fiche technique de la batterie. La valeur par défaut est $-4 mV/^{\circ}C/Cell$.

Batterie lithium-ion

Les batteries lithium-ion adaptées à l'INGECON SUN STORAGE 1Play disposent de leur propre gestion avancée des batteries, généralement programmée par le fabricant et intégrée aux batteries (BMS). Ingeteam ne peut en aucun cas influencer le mode de fonctionnement de cette gestion avancée des batteries externes.

i INFO

Afin d'obtenir plus d'informations sur les batteries lithium-ion compatibles, veuillez consulter la « Liste des batteries lithium-ion agréées pour l'INGECON SUN STORAGE 1Play TL M », disponible sur le site internet d'Ingeteam.

Si le modèle de batteries ne figure pas dans la liste, contactez Ingeteam.

19.7.2. Configuration de l'onduleur pour qu'il fonctionne uniquement avec le champ photovoltaïque (sans batteries)

Ces onduleurs peuvent fonctionner uniquement à partir du champ photovoltaïque, sans utiliser l'entrée des batteries. Pour cela :

1. Rendez-vous dans *Configuration > Advanced Settings > Type of Battery*.
2. Sélectionnez *No Configuration*.

Dans ce mode de fonctionnement, si le réseau est disponible, l'onduleur reste connecté y compris à basse puissance photovoltaïque. Cela permet de maintenir l'appareil allumé afin de monitorer l'installation à tout moment.

Pour désactiver cette fonctionnalité, accédez à *Configuration > Advanced Settings > Other Settings > Low PV Power Stop*.

19.7.3. Configuration du mode de fonctionnement et des paramètres

Les onduleurs peuvent être utilisés aussi bien dans les installations isolées que dans les installations connectées au réseau.

i INFO

Afin d'obtenir plus d'informations sur ce type d'installations, veuillez consulter le Guide technique des installations avec « l'INGECON SUN STORAGE 1Play TL M », disponible sur le site Internet d'Ingeteam.

Le mode de fonctionnement de l'onduleur dépend du type d'installation dans lequel il est utilisé. Pour sélectionner le type de mode, accédez à *Configuration > Advanced Settings > Operation Mode*.

Paramètre	Description
Stand Alone	L'onduleur crée un réseau alternatif isolé et agit comme gestionnaire du réseau, en garantissant l'équilibre entre la production photovoltaïque, la consommation et les batteries. Il est possible d'y connecter un générateur auxiliaire pour charger les batteries en cas de panne de courant.
UPS	Ce mode de fonctionnement a été conçu pour des systèmes connectés au réseau de distribution, dont les pannes sont longues et fréquentes. Lors d'une panne de réseau, l'énergie stockée dans les batteries est utilisée pour alimenter les charges. Pour cela, tant que le réseau est sous tension, les batteries restent chargées et l'énergie photovoltaïque est utilisée pour alimenter les appareils, ce qui réduit la consommation d'énergie à partir du réseau. L'utilisateur peut configurer l'injection des excédents photovoltaïques dans le réseau.

Paramètre	Description
Self Consumption	L'onduleur gère les flux d'énergie de l'installation pour réduire la consommation à partir du réseau de distribution et augmenter l'autoconsommation. Il est également possible d'activer la fonction supplémentaire <i>Battery-Back Up</i> dans ce mode de fonctionnement. Cette fonction permet à l'onduleur de fournir l'énergie nécessaire aux charges critiques depuis les batteries et l'énergie photovoltaïque en cas de panne du réseau de distribution. L'injection au réseau d'excédents photovoltaïques et la programmation horaire de charge des batteries depuis le réseau peut être configurée par l'utilisateur.

Une fois le mode de fonctionnement de l'onduleur sélectionné, les paramètres suivants doivent être configurés :

Mode de fonctionnement : Isolé	
Paramètre	Description
SOC Max	État de charge maximal pour le chargement des batteries à partir de l'énergie photovoltaïque (%).
SOC Off	État de charge maximal pour le chargement des batteries à partir du générateur. De plus, le générateur est déconnecté s'il a été démarré par SOC On (%).
SOC On	État de charge minimal pour le démarrage du générateur auxiliaire (%).
SOC Recx	État de charge au-dessus duquel l'approvisionnement en énergie des charges reprend, après avoir été à l'état SOC Descx (%).
SOC Descx	État de charge en dessous duquel l'approvisionnement d'énergie aux charges est interrompu (%).

Mode de fonctionnement : UPS	
Paramètre	Description
SOC Max	État de charge maximal pour le chargement des batteries à partir de l'énergie photovoltaïque (%).
SOC Grid	État de charge maximal pour le chargement des batteries à partir du réseau public (%).
SOC Recx	État de charge au-dessus duquel l'approvisionnement en énergie des charges critiques reprend, après avoir été à l'état SOC Descx(%).
SOC Descx	État de charge en dessous duquel l'approvisionnement en énergie des charges critiques est interrompu lorsque le réseau n'est pas disponible (%).

Mode de fonctionnement : Consom. auto.	
Paramètre	Description
SOC Max	État de charge maximal pour le chargement des batteries à partir de l'énergie photovoltaïque (%).
SOC Recovery	État de charge au-dessus duquel la décharge de la batterie reprend après avoir été à l'état SOC Min. Cela permet d'éviter un nombre excessif de cycles de la batterie et de prolonger sa durée de vie.
SOC Min	État de charge en dessous duquel la décharge de batterie n'est pas autorisée lorsque le réseau est disponible. Il est nécessaire d'atteindre SOC Recovery pour reprendre l'autoconsommation avec un apport de batterie.
Battery-Backup	L'énergie nécessaire aux charges critiques est fournie depuis les batteries et l'énergie photovoltaïque en cas de panne du réseau. Lorsque cette fonction est active, les paramètres SOC Recx et SOC Descx doivent être configurés.
SOC Recx	État de charge au-dessus duquel l'approvisionnement d'énergie aux charges critiques reprend après avoir été à l'état SOC Descx (%).
SOC Descx	État de charge en dessous duquel l'approvisionnement d'énergie aux charges critiques est interrompu lorsque le réseau n'est pas disponible et la fonction <i>Battery-Backup</i> est activée (%).

19.7.4. Configuration de la réglementation dans les installations de connexion au réseau

Les onduleurs doivent fonctionner conformément aux réglementations applicables dans les installations connectées au réseau de distribution.

Pour sélectionner la réglementation applicable, rendez-vous dans *Configuration > Advanced Settings > Grid Settings*.

Une fois la réglementation configurée, configurez la tension et la fréquence nominale. Pour cela, rendez-vous dans *Configuration > Advanced Settings > AC Installation type*.

Paramètre	Description
Nominal Voltage	Tension nominale du réseau AC (V).
Nominal Frequency	Fréquence nominale du réseau AC (Hz).

19.7.5. Configuration du système de mise à la terre TT/ TN

DANGER

Avant de procéder à la configuration du système de mise à la terre, identifiez correctement la connexion du câble de neutre du réseau sur l'appareil (voir «[11. Raccordement du réseau/générateur auxiliaire](#)»). La connexion du neutre doit correspondre à la configuration du système de mise à la terre.

Ces onduleurs intègrent de série un relais pour la mise à la terre du neutre des charges critiques dans les installations à régime de neutre TT.

Ils sont configurés par défaut avec le système de mise à la terre TT. Cela signifie que lorsque l'appareil travaille en mode isolé ou sans réseau, en mode UPS et Autoconsommation, l'onduleur connecte le câble neutre des charges critiques à la terre de l'installation. De cette manière, un défaut de terre sur les charges critiques sera détecté et protégé par l'interrupteur différentiel de l'installation.

Pour les installations à régime de neutre TN, le système de mise à la terre de l'onduleur doit être modifié depuis *Configuration > Advanced Settings > AC Installation type > Grounding System*.

Dans les systèmes TN, l'onduleur conserve à tout moment la connexion du câble de neutre des charges critiques au câble de neutre du réseau de distribution, en mode isolé ou connecté au réseau.

19.7.6. Configuration de la charge des batteries depuis le réseau de distribution

Dans les installations connectées au réseau de distribution, ces onduleurs peuvent être configurés de manière à charger les batteries depuis ce réseau. La configuration variera en fonction du type d'installation.

Installations UPS

Dans les installations UPS, les batteries sont chargées à partir du réseau jusqu'à obtention de l'état de charge SOC Grid (voir la section «[19.7.3. Configuration du mode de fonctionnement et des paramètres](#)»). Pour cela, il convient d'établir une puissance maximale de charge des batteries :

1. Rendez-vous dans *Configuration > Advanced Settings > Operation Mode > Maximum battery charging power from the Grid*.
2. Saisissez la puissance maximale en watts. Si vous ne souhaitez pas charger les batteries depuis le réseau, saisissez 0 watts.

De plus, il est important de définir la puissance souscrite de l'installation afin que l'onduleur optimise la charge de la batterie. Pour établir la puissance souscrite :

1. Rendez-vous dans *Configuration > Advanced Settings > Grid Settings > Hired Grid Power*.
2. Saisissez la puissance souscrite en watts.

Enfin, les batteries seront chargées à la puissance minimale entre :

- La puissance maximale de charge.
- La différence entre la Puissance souscrite et la Consommation des charges critiques.

Installations d'autoconsommation

Dans les installations d'autoconsommation, l'onduleur permet de gérer au quotidien la charge des batteries depuis le réseau jusqu'à parvenir à l'état de charge SOC Grid. Pour cela, il convient d'établir une puissance maximale de charge de batterie :

1. Rendez-vous dans *Configuration > Advanced Settings > Operation mode > Maximum battery charging power from grid*.
2. Saisissez la puissance maximale en watts. Si vous ne souhaitez pas charger les batteries depuis le réseau, saisissez 0 watts.

De plus, il est important de définir la puissance souscrite de l'installation afin que l'onduleur optimise la charge de la batterie. Pour établir la puissance souscrite :

1. Rendez-vous dans. *Configuration > Advanced Settings > Grid configuration > Power Contracted.*
2. Saisissez la puissance souscrite en watts.

Les batteries seront chargées à la puissance minimale entre :

- La puissance maximale de charge.
- La différence entre la Puissance souscrite et la Consommation des charges critiques.

D'autre part, une programmation horaire est définie pour la charge de la batterie à partir du réseau. Pour activer la programmation horaire, il faut se rendre dans *Configuration > Advanced Settings > Self-consumption Settings > Scheduling for Charge Battery from Grid* et définir les paramètres suivants :

Paramètre	Description
Mode	Permet d'activer ou désactiver la programmation horaire de charge des batteries.
SOC Grid (%)	État de charge maximal pour le chargement des batteries à partir du réseau public (%).
Hour On	Dans une programmation horaire de type hh:mm, définit l'heure de début (hh) de la tranche horaire durant laquelle la charge des batteries est autorisée.
Minute On	Dans une programmation horaire de type hh:mm, définit la minute de début (mm) de la tranche horaire durant laquelle la charge des batteries est autorisée.
Hour Off	Dans une programmation horaire de type hh:mm, définit l'heure de fin (hh) de la tranche horaire durant laquelle la charge des batteries est autorisée.
Minute Off	Dans une programmation horaire de type hh:mm, définit la minute de fin (mm) de la tranche horaire durant laquelle la charge des batteries est autorisée.

19.7.7. Configuration de la puissance maximale d'injection d'excédent photovoltaïque dans le réseau de distribution

Dans les installations connectées au réseau, ces onduleurs peuvent être configurés de manière à injecter la puissance photovoltaïque en excès au réseau de distribution. De cette manière, il est possible de vendre les excédents d'énergie photovoltaïque de manière automatique et simple.

Pour établir la puissance photovoltaïque maximale d'injection dans le réseau :

1. Rendez-vous dans *Configuration > Advanced Settings > Operation Mode > Maximum surplus PV power injected into the Grid.*
2. Saisissez la puissance maximale en watts. Si vous ne souhaitez pas injecter la puissance photovoltaïque en excès dans le réseau, saisissez 0 watts.

L'onduleur utilise l'énergie photovoltaïque de manière prioritaire pour approvisionner les appareils et charger la batterie. En cas d'excédent d'énergie photovoltaïque, ce paramètre permet à l'utilisateur de décider si celui-ci est injecté au réseau de distribution ou si la production photovoltaïque est limitée.

19.7.8. Configuration de la fonction Battery-Backup dans les installations d'autoconsommation

Dans les installations d'autoconsommation, ces onduleurs permettent de réaliser la fonction de Battery-backup. En cas de panne du réseau de distribution, ces onduleurs déconnectent l'installation du réseau de distribution en interne et fournissent l'énergie nécessaire aux appareils à partir des batteries et du champ photovoltaïque. Pour cela, les appareils doivent être connectés à l'onduleur via la sortie des charges critiques (consultez la section «[10. Raccordement des charges critiques](#)»).

Par défaut, cette fonction est désactivée. Pour l'activer, rendez-vous dans *Configuration > Advanced Settings > Operation Mode > Self Consumption Settings > Battery-Backup Function.*

En cas de panne du réseau, le temps de réponse du système est minime sur la plupart des appareils.

L'onduleur, au moyen de son relais interne, connectera automatiquement le neutre des charges critiques à la terre en cas de panne de réseau uniquement dans les systèmes de mise à la terre TT.

i INFO

Afin d'obtenir plus d'informations sur ce type d'installations, veuillez consulter le Guide technique des installations avec « l'INGECON SUN STORAGE 1Play TL M », disponible sur le site Internet d'Ingeteam.

Dans le cas où la sortie de charges critiques de l'onduleur n'est pas utilisée, il est recommandé de désactiver la fonction Battery-backup. De cette manière, en cas de panne du réseau de distribution, l'appareil restera à l'arrêt pour éviter la décharge de la batterie.

19.7.9. Configuration du générateur auxiliaire dans les installations isolées

Dans les installations isolées, les onduleurs peuvent fonctionner avec un générateur auxiliaire de soutien qui se connecte en cas de panne de courant et/ou pour charger la batterie.

Pour configurer les paramètres du générateur, rendez-vous dans *Configuration > Advanced Settings > Generator Settings* et introduire les paramètres du générateur.

Paramètre	Description
Nominal Apparent Power	Puissance nominale apparente du groupe diesel (VA). Ce paramètre permet à l'onduleur d'évaluer la puissance disponible pour le chargement des batteries en tenant compte de la consommation de l'installation à partir du générateur.
Minimum AC Voltage	Tension AC minimale générée par le groupe diesel (V).
Maximum AC Voltage	Tension AC maximale générée par le groupe diesel (V).
Minimum AC Frequency	Fréquence minimale générée par le groupe diesel (Hz).
Maximum AC Frequency	Fréquence maximale générée par le groupe diesel (Hz).
Vac/Fac Time	Durée hors plage Vac et Fac devant être maintenue pour déconnecter le générateur (ms).

Le démarrage automatique du générateur peut être commandé via une sortie numérique de l'onduleur. Pour cela, la sortie numérique doit être configurée comme *Start/Stop Generator* (consultez la section «[19.7.12. Configuration des sorties numériques](#)»). Voici les différentes options de démarrage du générateur auxiliaire via l'onduleur :

Option	Description
État de charge de la batterie (SOC)	Permet d'allumer le générateur lorsque l'état de charge atteint le paramètre SOC On ou lorsque la tension de la batterie est inférieure à sa tension minimale. Le générateur est éteint lorsque l'état de charge atteint le paramètre SOC Off et lorsque la tension de la batterie est supérieure à sa tension minimale. Cette option est toujours activée par défaut et ne peut pas être désactivée.
Programmation horaire	Permet d'allumer ou d'éteindre le générateur tous les jours dans une plage horaire définie.
Surcharge du réseau de consommation	Permet d'allumer ou d'éteindre le générateur en fonction de la puissance consommée par les charges pendant un certain temps.
Manuellement	Permet d'allumer ou d'éteindre le générateur de façon manuelle et immédiate. La déconnexion du générateur doit également être effectuée manuellement.
Surcharge de la batterie	Permet d'allumer le générateur lorsqu'une surcharge de la batterie est détectée. On considère que la batterie est en surcharge lorsque le courant maximal de décharge de la batterie est dépassé deux fois consécutives. Dès que l'état de charge atteint le paramètre SOC Off, le générateur s'éteint. Cette option est toujours activée par défaut et ne peut pas être désactivée.
Basse tension AC sur le réseau de consommation	Permet d'allumer le générateur lorsqu'il est détecté que l'onduleur ne peut pas produire de tension AC optimale à la sortie des charges. (voir paramètre <i>Vac L1 Limit</i> au chapitre « 19.7.11. Configuration de la protection de surcharge et court-circuit en sortie des charges critiques »). Dès que l'état de charge atteint le paramètre SOC Off, le générateur s'éteint. Cette option est toujours activée par défaut et ne peut pas être désactivée.

19.7.10. Configuration de la charge des batteries depuis le générateur

Pour charger les batteries depuis le générateur auxiliaire, il faut établir une puissance maximale de charge des batteries. Pour configurer ce paramètre :

1. Rendez-vous dans *Configuration > Advanced Settings > Operation Mode > Maximum battery charging power from the Grid*.
2. Saisissez la puissance maximale en watts. Si vous ne souhaitez pas charger les batteries depuis le générateur, saisissez 0 watts.

De cette manière, dès que l'onduleur est connecté au générateur, les batteries sont chargées jusqu'à l'obtention de l'état de charge SOC Off et jusqu'à ce que la tension de la batterie dépasse sa tension nominale.

La puissance de charge des batteries sera réalisée à la puissance minimale entre :

- La puissance maximale de charge.
- La différence entre la puissance nominale du générateur et les appareils

19.7.11. Configuration de la protection de surcharge et court-circuit en sortie des charges critiques

Dans les installations isolées et dans les installations connectées au réseau de distribution avec la fonction Battery-backup activée, ces appareils permettent de protéger la sortie des charges critiques en cas de surcharges et court-circuits.

Pour cela, les paramètres suivants doivent être définis depuis *Configuration > Advanced Settings > Critical Loads Settings*.

Paramètre	Description
Vac L1 Limit	Limite minimale de tension AC produite par l'onduleur (%Vnom · 10). Une tension AC inférieure à cette limite est considérée comme défectueuse pour les charges critiques.
Vac L1 Time	Durée pendant laquelle la tension AC produite par l'onduleur doit être maintenue en dessous de la limite Vac L1 pour déconnecter les charges critiques (ms).
Over-Load in Critical Loads	Permet de déconnecter les charges critiques lorsqu'une surcharge AC est détectée 3 fois consécutives (voir Puissance 30 min, 2 min, 3 s dans «2.4. Tableau des caractéristiques»). Par défaut, l'onduleur sera maintenu à l'arrêt jusqu'à élimination de la surcharge. Une fois celle-ci éliminée, l'onduleur devra être réinitialisé.
Short-Circuit in Critical Loads	Permet de déconnecter les charges critiques lorsqu'un court-circuit AC est détecté 3 fois consécutives. Par défaut, l'onduleur sera maintenu à l'arrêt jusqu'à élimination du défaut. Une fois celui-ci éliminé, l'onduleur devra être réinitialisé.

19.7.12. Configuration des sorties numériques

Ces onduleurs sont équipés de plusieurs sorties sans potentiel qui peuvent avoir les fonctions suivantes :

Option	Description	État du contact sans potentiel normalement ouvert (NO)
No Configuration	Aucune tâche assignée (option par défaut)	OUVERT
Start/Stop Generator	Signal d'activation du générateur auxiliaire	Éteindre le générateur : OUVERT Allumer le générateur : FERMÉ
On/Off by Communication	Contrôle de la sortie numérique via les communications.	Off : OUVERT On : FERMÉ
On-grid	Signal indiquant que l'onduleur est connecté au réseau ou au générateur auxiliaire.	Déconnecté : OUVERT Connecté : FERMÉ

Pour configurer les sorties numériques, rendez-vous dans *Configuration > Advanced Settings > Digital Output/ Input*.

19.7.13. Configuration des entrées numériques

Ces onduleurs disposent d'une entrée DRMO pour le marché australien et deux entrées numériques, qui peuvent avoir les fonctions suivantes :

Option	Description	État du contact sans potentiel normalement ouvert/niveau de tension
No Configuration	Aucune tâche assignée (option par défaut)	OUVERT/Niveau élevé
Start/Stop Inverter	Met en service ou arrête l'onduleur	Mettre en marche : OUVERT/Niveau élevé Arrêter : FERMÉ/Niveau faible
Connecter à l'onduleur	Connecte l'onduleur au réseau ou au générateur auxiliaire.	Ne pas connecter : OUVERT/Niveau élevé Connecter : FERMÉ/Niveau faible

Option	Description	État du contact sans potentiel normalement ouvert/niveau de tension
Ne pas décharger la batterie	Fonctionnalité permettant d'empêcher la décharge de la batterie via une entrée numérique.	Ne pas autoriser la décharge : Court-circuit/ Niveau Bas Autoriser la décharge : Ouvert/Niveau élevé

Pour activer la fonction de l'entrée DRMO, tenir compte du fait qu'elle ne doit être configurée que pour l'utilisation avec le dispositif DRED, exigé par la réglementation AS4777 (Australie).

Si l'onduleur est configuré sans connexion du dispositif externe DRED, il s'arrêtera.

Pour configurer les entrées numériques, rendez-vous dans *Configuration > Advanced Settings > Digital Output/ Input*.

19.7.14. Configurer un horaire pour la décharge des batteries

Ces onduleurs peuvent être configurés pour décharger les batteries à un horaire prédéfini. Au cours de l'horaire de décharge, il est possible que la batterie soit chargée à partir des panneaux photovoltaïques pour profiter au maximum de la production solaire. En outre, pendant les heures auxquelles les batteries ne sont pas utilisées, le système s'alimentera en énergie à partir des panneaux photovoltaïques, et le reste à partir du réseau publique.

Pour l'horaire de décharge, rendez-vous dans *Configuration > Advanced Settings > Self-consumption Settings > Scheduling for Battery discharge* et définissez les paramètres suivants :

Option	Description
Mode	Permet d'activer ou désactiver la programmation horaire de décharge des batteries.
Hour On	Dans une programmation horaire de type hh:mm, définit l'heure de début (hh) de la tranche horaire durant laquelle la charge des batteries est autorisée.
Minute On	Dans une programmation horaire de type hh:mm, définit la minute de début (mm) de la tranche horaire durant laquelle la charge des batteries est autorisée.
Hour Off	Dans une programmation horaire de type hh:mm, définit l'heure de fin (hh) de la tranche horaire durant laquelle la charge des batteries est autorisée.
Minute Off	Dans une programmation horaire de type hh:mm, définit la minute de fin (mm) de la tranche horaire durant laquelle la charge des batteries est autorisée.

Les batteries seront déchargées jusqu'à parvenir à la valeur de *SOCmin* configurée.

19.7.15. Configurer des manières d'offrir des services de qualité au réseau

Ces onduleurs peuvent contribuer à maintenir la qualité de l'énergie au point de connexion ou apporter leur soutien à un réseau. L'objectif des modes de réponse à la tension est de modifier la puissance de sortie de l'onduleur en fonction de la tension sur ses bornes.

Les manières d'offrir un service de qualité au réseau sont les suivantes :

- Algorithme Pac vs Fac
- Algorithme Pac vs Vac
- Algorithme Qac vs Vac

Pour plus d'informations, consultez la *Description et configuration du Guide des paramètres de fonctionnement* décrivant comment définir les paramètres des algorithmes et les régler le cas échéant. Pour télécharger ce guide, contactez l'assistance technique.

19.8. Utilisation du wattmètre interne de l'onduleur ou du wattmètre externe

Ces appareils peuvent être utilisés dans différents types d'installation avec divers types de charges (critiques et/ou non critiques). En fonction du type de charges existant dans l'installation, on utilisera le wattmètre interne de l'onduleur ou un wattmètre externe.

L'utilisation du wattmètre interne de l'onduleur ne permet que la gestion des charges connectées en sortie des charges critiques de l'appareil. En d'autres termes, elle ne permet que la gestion des charges critiques.

L'utilisation du wattmètre externe permet de gérer aussi bien les charges critiques connectées à l'onduleur que les charges non critiques connectées au réseau de distribution.

INFO

Afin d'obtenir plus d'informations sur les wattmètres externes compatibles veuillez consulter la « Liste de wattmètres compatibles avec l'INGECON SUN STORAGE 1Play TL M », disponible sur le site Internet d'Ingeteam. Si le modèle de wattmètre ne figure pas dans la liste, veuillez contacter Ingeteam. De plus, les wattmètres figurant dans cette liste doivent être configurés à un débit en bauds de 9600.

Installations isolées

Dans les installations isolées, le wattmètre interne de l'appareil est utilisé. Toutes les charges gérées sont connectées à la sortie des charges critiques de l'onduleur.

Installations UPS

Dans les installations UPS, le wattmètre interne de l'appareil est utilisé. Les charges gérées sont connectées à la sortie des charges critiques de l'onduleur. Les charges non critiques connectées à la partie du réseau ne seront pas gérées par l'onduleur.

Installations d'autoconsommation

Dans les installations d'autoconsommation, on utilise normalement un wattmètre externe situé au point de connexion au réseau. Cela permet à l'onduleur de gérer toutes les charges existant dans l'installation, qu'elles soient critiques ou non.

Le wattmètre interne de l'appareil ne peut être utilisé que lorsque toutes les charges sont connectées à la sortie des charges critiques de l'onduleur.

19.9. Mise à jour du firmware de l'onduleur

La manière la plus simple de mise à jour du firmware de l'onduleur s'effectue via l'application Web ; il faut pour cela disposer d'une connexion à Internet.

Si l'on ne dispose pas de connexion à Internet, il est également possible de réaliser la mise à jour via l'application Web ou via le port USB de l'appareil.

Mise à jour via l'application Web, avec connexion à Internet

INFO

Pour réaliser ce processus, l'onduleur doit être connecté à Internet via un réseau Wi-Fi ou via Ethernet.

1. Accédez à l'application Web depuis le navigateur du dispositif (voir «[19.5. Connexion à l'onduleur à distance](#)»).
2. Entrez dans le menu *Update*. S'il existe des mises à jour disponibles, elles seront indiquées.
3. Installez la mise à jour.

Mise à jour via l'application Web, sans connexion à Internet

INFO

Pour réaliser ce processus, il est nécessaire que le fichier de firmware ABH1007 ait été téléchargé au préalable depuis le site Web d'Ingeteam.

1. Accédez à l'application Web depuis le navigateur du dispositif (voir «[19.3. Connexion locale à l'onduleur via votre réseau Wi-Fi](#)»).
2. Entrez dans le menu *Update*.
3. Sélectionnez le fichier de firmware téléchargé au préalable.
4. Installez la mise à jour.

Mise à jour via le port USB

⚠ ATTENTION

Cette procédure ne peut être réalisée que par un installateur agréé.

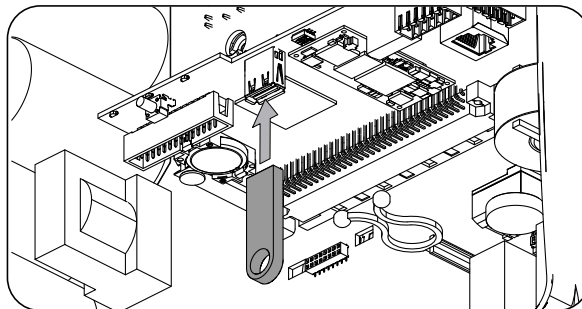
Avant de commencer le processus de mise à jour de firmware via le port USB, assurez-vous de l'absence de tension dans l'onduleur. Vérifiez que les protections du réseau/générateur, des charges critiques, du système de stockage et du champ photovoltaïque sont ouvertes.

N'alimentez pas l'appareil avant d'avoir refermé le couvercle.

i INFO

Pour réaliser ce processus, il est nécessaire que le fichier de firmware ABH1007 ait été téléchargé au préalable depuis le site Web d'Ingeteam.

1. Mettez l'appareil hors tension comme indiqué dans la section «[21.1. Processus de déconnexion de l'appareil](#)».
2. Ouvrez le couvercle de l'appareil.
3. Connectez le dispositif USB. L'USB devra contenir uniquement le fichier de firmware téléchargé au préalable.



4. Fermez le couvercle de l'appareil.
5. Alimentez l'appareil depuis le parc de batteries et/ou le champ photovoltaïque.
6. La mise à jour est lancée automatiquement. La LED bleue clignote rapidement durant le processus de mise à jour.
7. Une fois la mise à jour terminée (fin du clignotement rapide de la LED bleue), éteignez l'appareil en déconnectant toutes les alimentations DC et AC.
8. Ouvrez le couvercle de l'appareil et déconnectez le dispositif USB.
9. Fermez le couvercle et mettez l'appareil en marche.

19.10. Rétablir les valeurs d'usine de configuration de l'onduleur

i INFO

Il est nécessaire d'être installateur autorisé pour réaliser la restauration.

Cette restauration à des valeurs d'usine n'affecte que la configuration de l'onduleur, ce processus ne rétablit pas la configuration Wi-Fi ou Ethernet.

Pour rétablir les valeurs d'usine de configuration de l'onduleur, procédez comme suit :

1. Accédez à l'application Web depuis le navigateur du dispositif.
2. Entrez dans le menu Configuration.
3. Cliquez sur *Restore to factory settings* pour restaurer les valeurs d'usine de l'ensemble de la configuration de l'onduleur.

Ensuite, suivez les instructions de l'assistant pour mettre en marche l'onduleur.

19.11. Motifs de limitation de puissance de l'onduleur

L'onduleur peut réduire, de manière occasionnelle, la puissance AC de sortie pour différents motifs. Si l'appareil est connecté à un réseau ou à un générateur auxiliaire et une réduction de puissance se produit, le monitoring affichera le motif le plus restrictif de la limitation de puissance.

Les différentes causes de limitation de la puissance sont les suivantes.

Causes de la limitation de puissance		
Cause	Code envoyé par les systèmes de communication	Description
Battery Power Limited	9	Batteries. Limitation due à l'état de charge ou à la configuration du système de stockage.
Self Consumption	11	Mode d'autoconsommation Limitation due au fonctionnement du mode d'autoconsommation
AC Grid Power Limited	10	Puissance disponible. Limitation de la charge des batteries à partir du réseau/générateur en raison de la puissance disponible. Cette puissance est calculée en fonction de la puissance nominale du générateur ou de la puissance souscrite du réseau moins la puissance consommée par les charges.
Pac vs Fac Algorithm	4	Fréquence du réseau. Limitation en raison de la variation de la fréquence du réseau. Applicable en fonction de la réglementation sélectionnée.
Soft Start	5	Rampe de connexion initiale. Limitation suite à une reconnexion au réseau. Applicable en fonction de la réglementation sélectionnée.
High Bus Voltage Protection	12	Bus DC. Limitation en raison de la haute tension du bus DC interne.
LVRT or HVRT Process	13	Creux de tension du réseau. Limitation en raison des creux de tension du réseau. Applicable en fonction de la réglementation sélectionnée.
Charge Power Configured	6	configuration. Limitation de la charge des batteries à partir du réseau/générateur définie par la configuration de l'utilisateur.
Grid Consumption Protection	15	Consommation du réseau. Limitation en raison de la consommation de puissance à partir du réseau lors d'une utilisation sans batteries (champ photovoltaïque uniquement) ou lorsque les batteries ne peuvent pas absorber d'énergie.
PV Surplus Injected to the Grid	16	Excédent photovoltaïque. Limitation de l'injection de l'excédent photovoltaïque au réseau via la configuration.
Nominal AC Current	14	Puissance apparente. Limitation en raison de la puissance apparente nominale de l'appareil.
PV Surplus Injected to the Loads	7	Limitation de l'injection d'excédent photovoltaïque dans les charges en raison du fonctionnement du mode UPS ou isolé.
Temperature	2, 3	température. Limitation due à une température élevée dans l'appareil.
Pac vs Vac Algorithm	8	Tension du réseau. Limitation en raison de la variation de la tension du réseau. Applicable en fonction de la réglementation sélectionnée.
Communication	1	Limitation produite par envoi de consigne via les communications.

19.12. Charge automatique d'urgence de la batterie

Une charge d'urgence doit être réalisée lorsque l'installation s'arrête en raison d'une décharge totale des batteries.

Cette fonction permet de charger les batteries jusqu'à un certain niveau et de fournir ainsi l'énergie nécessaire à la réinitialisation du système.

Pour que l'appareil puisse effectuer une charge d'urgence, les batteries doivent impérativement être dans l'un des états suivants :

- Faible niveau de charge, $SOC \leq SOC_{desc}$. (Code3 "Low Battery SOC Desc").
- Faible tension, $V_{bat} \leq V_{min}$. (Code2 "Low Battery Vmin").
- Dans les batteries lithium-ion lorsqu'une charge forcée est requise par le BMS du fait que la batterie est complètement déchargée.

Les onduleurs peuvent charger les batteries à partir de différentes sources d'énergie. En fonction de la source d'énergie disponible, la charge d'urgence est automatiquement activée par l'onduleur.

Source d'énergie disponible	Description
Entrée photovoltaïque de l'INGECON SUN STORAGE 1Play TL M	L'onduleur détecte le champ photovoltaïque et commence automatiquement à charger les batteries. L'état de l'onduleur indique <i>Emergency Charge from PV</i> . L'installation est restaurée lorsque les batteries atteignent l'état de charge SOCrex configuré (voir section «19.7.3. Configuration du mode de fonctionnement et des paramètres»).
Réseau ou générateur auxiliaire	L'onduleur détecte la tension et la fréquence à l'entrée du réseau AC et s'y connecte automatiquement. L'état de l'onduleur indique <i>Emergency Charge from Grid</i> . L'installation est immédiatement restaurée et la charge des batteries commence à partir de l'entrée de réseau AC. Bien que la charge des batteries n'est pas autorisée depuis le réseau (voir «19.7.6. Configuration de la charge des batteries depuis le réseau de distribution»), durant la charge d'urgence, l'onduleur chargera les batteries de 400 W minimum à partir du réseau de distribution.

19.13. Charge d'égalisation des batteries

Sur certaines batteries plomb-acide à électrolyte liquide, le fabricant recommande d'effectuer de temps en temps une charge d'égalisation.

Pendant la charge d'égalisation, l'onduleur égalise l'état de charge des cellules et équilibre la stratification de l'électrolyte. Cela évite une défaillance prématurée des cellules individuelles et prolonge la durée de vie de la batterie. Ce processus produit une gazéification. Les batteries doivent donc être bien ventilées.

Avant d'effectuer manuellement une charge d'égalisation, il est nécessaire de consulter les paramètres de tension de charge et de durée des batteries auprès du fabricant.

⚠ ATTENTION

Si ces paramètres ne sont pas correctement configurés, cela peut réduire la durée de vie de la batterie. Ingeteam n'est pas responsable des conséquences d'une configuration incorrecte de l'appareil de la part de l'utilisateur et/ou de l'installateur.

Pour cela, configurez les paramètres de l'appareil en vous rendant dans *Configuration > Advanced Settings > Lead-Acid Battery Settings*.

Paramètre	Explication
Equalization Voltage	Tension de charge d'égalisation du parc de batteries spécifiée par le fabricant (V).
Duration of Equalization charge	Durée de la charge d'égalisation du parc de batteries spécifiée par le fabricant (en minutes).

La charge d'égalisation doit être activée manuellement sur l'écran. Pour cela rendez-vous dans *Configuration > Commands > Start Equalization Charge*.

Le processus de charge d'égalisation prendra fin automatiquement une fois le temps configuré. Si le processus doit être interrompu avant la fin du temps configuré, il devra l'être manuellement depuis *Configuration > Commands > Stop Equalization Charge*.

19.14. Réalisation d'un test de ventilation

Il est parfois nécessaire de vérifier le bon fonctionnement des ventilateurs externes et internes de l'appareil. Ces appareils disposent de la possibilité de réaliser un test de ventilation.

Pour réaliser le test de ventilation rendez-vous dans *Maintenance > Fan Test*. Les ventilateurs de l'appareil commencent à tourner pendant environ 15 secondes. Une fois ce temps écoulé, le test se désactive automatiquement. Si un ou plusieurs ventilateurs ne tournent pas, cela apparaîtra dans les résultats du test :

- Code1 0x0008 « défaut du ventilateur interne ».
- Code1 0x0010 « défaut du ventilateur externe ».

Si tous les ventilateurs tournent, le résultat du test sera positif.

i INFO

Le test de ventilation vérifie uniquement la rotation des ventilateurs. Un test de ventilation positif n'indique pas, en soi, que l'état du système de ventilation est correct. Pour garantir le fonctionnement correct du système de ventilation il faudra également vérifier l'absence d'éléments obstruant le passage de l'air, et l'installation correcte des ventilateurs.

19.15. Calibrage des batteries lithium-ion

⚠ ATTENTION

Si ces paramètres ne sont pas correctement configurés, cela peut réduire la durée de vie de la batterie. Ingeteam n'est pas responsable des conséquences d'une configuration incorrecte de l'appareil de la part de l'utilisateur et/ou de l'installateur.

L'objectif est d'égaliser l'état de charge de toutes les cellules (SOC) afin d'éviter la défaillance prématurée des cellules individuelles et de prolonger la durée de vie de la batterie.

Ce processus se compose de deux parties :

1. Processus de charge complète de la batterie L'état de la batterie indique *Calibration - Charging* .
2. Processus de décharge de la batterie. L'état de la batterie indique *Calibration - Discharging*.

Durant le processus de calibrage, les paramètres configurés dans la section «[19.7.3. Configuration du mode de fonctionnement et des paramètres](#)», ne seront pas appliqués. Bien que la charge des batteries n'est pas autorisée depuis le réseau (voir «[19.7.6. Configuration de la charge des batteries depuis le réseau de distribution](#)»), l'onduleur chargera les batteries à 400 W minimum à partir du réseau de distribution si cela est nécessaire pour l'étalonnage.

Le processus de calibrage prendra fin automatiquement lorsque le BMS détectera que toutes les cellules possèdent le même état de charge (SOC).

Le processus de calibrage est activé par défaut. Pour désactiver le calibrage de la batterie, rendez-vous dans *Configuration > Advanced Settings > Other Settings > Lithium-ion Battery Calibration Process*.

19.16. Utilisation d'INGECON SUN 1Play dans des systèmes isolés

Pour des systèmes isolés, il est possible de combiner des onduleurs de batteries INGECON SUN STORAGE 1Play TL M avec des onduleurs photovoltaïques d'Ingeteam, comme l'INGECON SUN 1Play TL M. Pour cela, il faut configurer sur l'onduleur photovoltaïque la réglementation *INGECON_SUN_STORAGE*. Pour plus d'informations, consultez le guide technique pour installations avec INGECON SUN STORAGE 1Play TL M.

19.17. Visualiser la courbe photovoltaïque

i INFO

Pour réaliser une courbe, il faut que l'onduleur soit connecté au réseau public.

Réalisez la courbe avec des conditions de rayonnement stables. Il est recommandé de la réaliser deux ou trois fois de suite pour vérifier que la forme de la courbe coïncide, et confirmer ainsi que les conditions sont stables.

Ces onduleurs disposent de la possibilité de tracer sur un graphique la courbe PV d'un moment donné.

Pour réaliser la courbe PV, rendez-vous dans *Maintenance > PV Curve*. Sélectionnez l'entrée MPPT et commencez.

La forme de la courbe sera définie par des facteurs externes comme le rayonnement solaire, les ombrages sur les panneaux photovoltaïques provoqués par des éléments externes, la température, etc.

Chaque fois qu'une courbe est tracée, elle est conservée dans votre historique des courbes.

19.18. Réaliser un Autotest pour CEI 0-21

INFO

Ce menu apparaîtra uniquement si la réglementation sélectionnée est *CEI 0-21 SPI Interne*.

L'Autotest est un test défini par la réglementation *CEI 0-21* pour vérifier le SPI interno. Pour le réaliser, rendez-vous dans *Maintenance > Autotest*.

Le test approche peu à peu les limites vers la tension ou la fréquence de l'installation avec une rampe de 0,05 Vn/s ou 0,05 Hz/s respectivement, jusqu'à déclencher le SPI.

La précision des limites et temps de déconnexion pour chaque protection est alors calculée, avant d'indiquer (OK/NOK) s'ils respectent la précision spécifiée par la réglementation *CEI 0-21* (tension : $\pm 1\%$ Vn, fréquence ± 20 mHz, temps : ± 20 ms) par rapport aux limites configurées.

Si le résultat est correct, l'onduleur quitte le test et se reconnecte automatiquement au réseau en revenant au fonctionnement normal.

Au contraire, si l'une des protections donne un résultat erroné, l'onduleur se déconnectera du réseau en affichant l'alarme *0x0800 Défaut du hardware*.

19.19. Détection de défaut d'isolation à la terre et alarme

Cet onduleur respecte la réglementation *CEI 62109-2* section 13.9 pour le monitoring d'alarmes de défaut à la terre.

Si une alarme de défaut à la terre se déclenche, l'indicateur LED orange s'allume et le code de défaut suivant apparaît sur l'onduleur :

Alarme 20 + Code1 0x0004 Défaut d'isolation sur les bornes positive et négative des batteries ou du champ photovoltaïque

20. Dépannage

 **INFO**

Consultez le guide « Alarm Interpretation and Troubleshooting Guide » qui présente les alarmes et la résolution des problèmes pouvant survenir lors de l'installation et du fonctionnement de l'INGECON SUN STORAGE 1Play. Pour le télécharger, accédez au site internet d'INGECON SUN Training (www.ingeconsuntraining.info).

21. Déconnexion de l'appareil

Cette section décrit le processus à suivre pour déconnecter l'appareil.

ATTENTION

Si vous souhaitez accéder à l'intérieur de l'appareil, vous devez obligatoirement suivre ces instructions dans l'ordre où elles sont indiquées pour éliminer toute tension.

21.1. Processus de déconnexion de l'appareil

1. Arrêtez manuellement l'onduleur à l'aide du bouton On/Off du panneau de commande ou depuis l'application Web.
2. Éliminez aussi bien la tension continue (Vdc) que la tension alternative (Vac) qui alimente l'appareil.
3. Attendez 10 minutes que les capacités internes se déchargent, que les éléments internes chauds susceptibles de provoquer des brûlures refroidissent et que le mouvement résiduel des pales des ventilateurs s'arrête.
4. Vérifiez l'absence de tension.
5. Signalez la zone de sectionnement (Vac et Vdc) avec un panneau indiquant « *Attention, manipulation interdite...* ». Délimitez la zone de travail si nécessaire.

21.2. Déconnexion des câbles sur des bornes de type push-in

INFO

La connexion des charges critiques, du réseau de consommation et du réseau/générateur auxiliaire s'effectue à l'aide de bornes de type push-in.

La section [7. Raccordement/déconnexion des câbles sur des bornes de type push-in](#) présente le processus de déconnexion du câblage sur ce type de bornes.

22. Maintenance préventive

Les travaux de maintenance préventive recommandés seront réalisés au minimum une fois par an, sauf indication contraire.

22.1. Conditions de sécurité



Avant d'ouvrir l'appareil, vous devez le mettre hors tension (voir section «21. Déconnexion de l'appareil»).
L'ensemble des conditions détaillées par la suite doivent être considérées comme un minimum.
L'ouverture de l'enveloppe ne signifie nullement une absence de tension dans l'appareil, de sorte que seul le personnel qualifié peut y accéder en respectant les conditions de sécurité énoncées dans le présent document.
Ingeteam n'assume pas la responsabilité des dommages dérivant d'une mauvaise utilisation des appareils. Toute intervention réalisée sur l'un de ces appareils et supposant une modification du câblage électrique par rapport au câblage initial doit être préalablement présentée à Ingeteam. Ces modifications devront être étudiées et approuvées par Ingeteam.
Toutes les vérifications de maintenance indiquées ici devront être réalisées lorsque l'appareil est arrêté, dans des conditions de manipulation sûres, intégrant les spécifications du client pour ce type d'opérations.
Pour effectuer les travaux de maintenance sur l'appareil, vous devez utiliser les équipements de protection individuelle spécifiés dans la section «Équipements de protection individuelle (EPI)» du présent document.
Une fois le travail de maintenance terminé, remplacez le couvercle avant et fixez-le avec les vis correspondantes.

22.2. État de l'enveloppe

Il est nécessaire de vérifier visuellement l'état de l'enveloppe en examinant l'état des fermetures, du couvercle ainsi que la fixation des appareils au mur et au transformateur le cas échéant. Il faut également vérifier l'état de l'enveloppe et l'absence de coups ou de rayures qui pourraient dégrader l'enveloppe ou lui faire perdre son indice de protection. Si ces types de défaut sont identifiés, réparez ou remplacez les parties concernées.

Vérifiez l'absence d'humidité à l'intérieur de l'enveloppe. En cas d'humidité, il est essentiel de procéder au séchage avant d'effectuer les connexions électriques.

Vérifiez que les composants de l'enveloppe sont bien attachés à leurs fixations respectives.

22.3. État des câbles et des cosses

- Vérifiez la bonne disposition des câbles afin qu'ils n'entrent pas en contact avec des parties actives.
- Assurez-vous qu'il n'y a pas de défauts dans l'isolement et les points chauds en vérifiant la couleur de l'isolement et des cosses.
- Vérifiez que les connexions sont bien ajustées.

22.4. Système de refroidissement

- Vérifiez l'état des ventilateurs d'extraction d'air, nettoyez-les et remplacez-les si nécessaire.
- Nettoyez les ailettes du radiateur et les grilles de ventilation.

22.5. Environnement

Vérifiez les caractéristiques de l'environnement afin que le bourdonnement ne s'amplifie ou ne se transmette pas.

23. Traitement des déchets

Ces appareils utilisent des composants nocifs pour l'environnement (cartes électroniques, batteries ou piles, etc.).



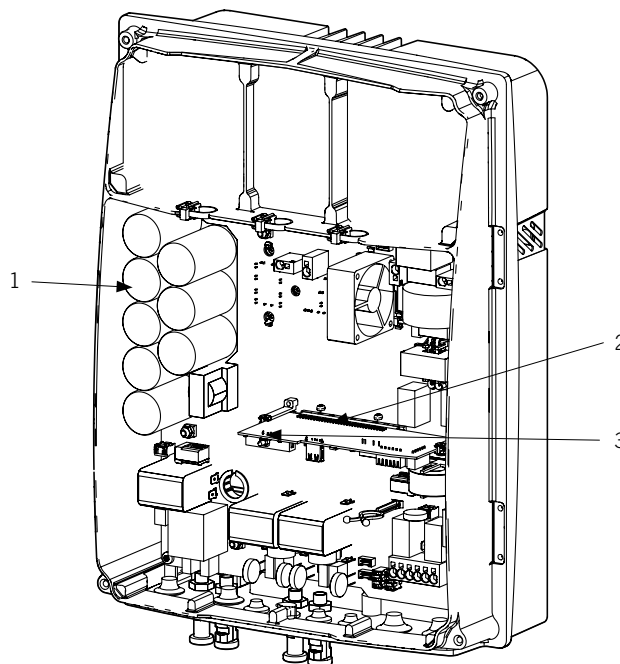
Une fois la vie utile de l'appareil terminée, les déchets doivent être confiés à un centre de récupération agréé pour le traitement des déchets dangereux.

Par le biais de cette section, Ingeteam, conformément à une politique respectueuse de l'environnement, informe le centre de récupération agréé sur la localisation des composants à décontaminer.

Les éléments présents à l'intérieur de l'appareil et qui doivent être traités spécifiquement sont :

1. Condensateurs électrolytiques ou qui contiennent du PCB
2. Cartes de circuits imprimés
3. Piles.

Les images suivantes indiquent l'emplacement de ces éléments.



Installation and Operation Manual

Manual de instalación y uso

Manuel d'installation et usage

Manuale d'installazione e uso

Manual de instalação e uso

EN

ES

FR

IT

PT

Importanti condizioni di sicurezza

In questa sezione sono descritti gli avvisi di sicurezza e il dispositivo di protezione individuale.

Condizioni di sicurezza

Avvisi generali

PERICOLO

L'apertura dell'involucro non implica l'assenza di tensione all'interno.

Esiste il pericolo di scosse elettriche anche dopo aver disconnesso la rete, l'impianto fotovoltaico e il sistema di accumulo.

Esso può essere aperto solo da personale qualificato seguendo le istruzioni riportate nel presente manuale.

ATTENZIONE

Le operazioni riportate nel presente manuale possono essere eseguite solo da personale debitamente qualificato.

Quando nel presente manuale si parla di personale qualificato, si intende personale che risponde a tutte le norme, le direttive e le leggi in materia di sicurezza, applicabili agli interventi di installazione e funzionamento di questo dispositivo.

La selezione del personale qualificato è sempre responsabilità della società della quale tale personale fa parte, in quanto la società in questione decide se un lavoratore è adatto o meno a svolgere un determinato lavoro, tutelandone così la sicurezza e rispettando la legge applicabile in materia di sicurezza sul lavoro.

Tali società devono impartire una formazione adeguata sui dispositivi elettrici al proprio personale e fare in modo che il personale prenda dimestichezza con il contenuto di questo manuale.

È obbligatorio rispettare la legge applicabile in materia di sicurezza per quanto riguarda i lavori elettrici. Esiste il pericolo di scosse elettriche.

Il rispetto delle istruzioni di sicurezza espone nel presente manuale o della legislazione indicata, non esime dal rispetto di altre norme specifiche relative a installazione, luogo, Paese o altre circostanze che riguardino l'inverter.

L'insieme delle indicazioni sulla sicurezza riportate nel presente documento deve essere ritenuto una misura minima di sicurezza. È sempre preferibile disinserire l'alimentazione generale. Possono essere presenti difetti di installazione che producono ritorni di tensione indesiderati. Esiste il pericolo di scosse elettriche.

Secondo le norme fondamentali di sicurezza, tutte le attrezzature devono essere adeguate a proteggere i lavoratori esposti dal rischio di contatto diretto e indiretto. In qualsiasi caso le parti elettriche delle attrezzature di lavoro devono essere conformi a quanto disposto dalla normativa specifica corrispondente.

Secondo la normativa generale sulla sicurezza, l'impianto elettrico non deve comportare rischi di incendio o esplosione. I lavoratori dovranno essere adeguatamente protetti dal rischio di incidenti causati da contatti diretti o indiretti. L'impianto elettrico e i dispositivi di protezione dovranno tenere in considerazione la tensione, i fattori esterni condizionanti e la competenza delle persone che hanno accesso alle parti dell'impianto.

Per verificare l'assenza di tensione, è obbligatorio usare dispositivi di misurazione che rientrano nella categoria III-1000 Volt.

Lo spazio riservato all'installazione del sistema di accumulo deve essere correttamente ventilato.

Il sistema di accumulo deve essere installato in modo da evitare possibili cortocircuiti accidentali.

INFORMAZIONI

Queste istruzioni devono essere ben accessibili accanto al dispositivo e poste alla portata degli utenti.

Prima dell'installazione e della messa in servizio, leggere attentamente queste istruzioni di sicurezza e gli avvisi, nonché tutti i simboli di avvertenza apposti sul dispositivo. Assicurarsi che tutti i simboli di avvertenza rimangano perfettamente leggibili e che quelli danneggiati o mancanti vengano sostituiti.

La protezione contro il contatto diretto è assicurata dall'involucro.

i INFORMAZIONI

Il dispositivo è stato testato in base alla normativa applicabile per soddisfare i requisiti di sicurezza, i valori delle distanze di isolamento e le vie di fuga per le tensioni di utilizzo.

Possibili pericoli per le persone

⚠ PERICOLO

Scossa elettrica.

Il dispositivo può restare carico dopo aver disinserito l'impianto fotovoltaico, l'alimentazione di rete e il sistema di accumulo.

Seguire attentamente la procedura obbligatoria per disinserire la tensione, riportata in questo manuale.

Esplosione.

Il rischio di esplosione è molto improbabile e in casi molto specifici di funzionamento anomalo.

La carcassa protegge persone e oggetti da un'eventuale esplosione solo se chiusa in modo corretto.

Schiacciamento e lesioni delle articolazioni.

Seguire sempre le indicazioni fornite dal manuale per movimentare e collocare il dispositivo.

Il peso del dispositivo può provocare lesioni, ferite gravi o morte se non viene maneggiato in modo corretto.

Alta temperatura.

La portata di aria di uscita può raggiungere temperature elevate che possono provocare lesioni alle persone esposte.

Possibili pericoli per il dispositivo

⚠ PERICOLO

Raffreddamento.

Durante il funzionamento, il dispositivo richiede un flusso d'aria privo di particelle estranee.

È indispensabile mantenere la posizione verticale e le entrate sgombre da qualsiasi ostacolo, per consentire che il flusso d'aria penetri all'interno del dispositivo.

Non toccare le schede né i componenti elettronici. I componenti più sensibili potrebbero risultare danneggiati o distrutti dall'elettricità statica.

Non disinserire né connette alcun terminale mentre il dispositivo è in funzione. Disinserire e verificare l'assenza di tensione prima di eseguire qualsiasi operazione.

Per evitare che le giunzioni bullonate dell'involucro del dispositivo si usurino prematuramente è necessario rimuovere e montare le viti manualmente.

Dispositivi di protezione individuale (DPI)

Quando si lavora sul dispositivo, utilizzare almeno le seguenti dotazioni di sicurezza consigliate da Ingeteam.

Denominazione	Spiegazione
Calzature di sicurezza	In conformità alla norma <i>UNE-EN-ISO 20345:2012</i>
Elmetto	In conformità alla norma <i>EN 397:2012 + A1:2012</i>
Elmetto con visiera	In conformità alla norma <i>UNE-EN 166:2002</i> , quando ci sono parti in tensione direttamente accessibili
Occhiali di protezione	In conformità alla norma <i>UNE-EN 166:2002</i>
Indumenti da lavoro	Aderenti, non infiammabili, 100% cotone
Guanti dielettrici	In conformità alla norma <i>EN 60903:2005</i>

Le attrezzature e/o i dispositivi utilizzati in attività in tensione devono disporre almeno di isolamento di categoria III-1000 Volt.

Nel caso in cui le normative del luogo di installazione esigano un altro tipo di dispositivo di protezione individuale, è necessario integrare in modo adeguato il dispositivo consigliato da Ingeteam.

Contenuti

Importanti condizioni di sicurezza	206
Condizioni di sicurezza.....	206
Dispositivi di protezione individuale (DPI)	208
Contenuti	209
1. Informazioni su questo manuale	212
1.1. Campo di applicazione e nomenclatura	212
1.2. Destinatari	212
1.3. Avvisi.....	212
2. Descrizione del dispositivo	213
2.1. Schema elettrico del sistema	214
2.2. Requisiti EMC	214
2.3. Inquinamento acustico	214
2.4. Caratteristiche	215
2.5. Descrizione degli accessi dei cavi	216
3. Ricevimento del dispositivo e stoccaggio	217
3.1. Ricevimento	217
3.2. Identificazione del dispositivo	217
3.3. Danni durante il trasporto	217
3.4. Stoccaggio	217
3.5. Conservazione.....	217
4. Movimentazione del dispositivo	218
4.1. Trasporto.....	218
4.2. Disimballo.....	218
5. Preparazione per l'installazione del dispositivo.....	219
5.1. Ambiente.....	219
5.2. Condizioni ambientali.....	220
5.3. Superficie di appoggio e fissaggio	220
5.4. Protezione della connessione di carichi critici	220
5.5. Protezione della connessione alla rete/generatore ausiliario	221
5.6. Protezione della connessione del sistema di accumulo	221
5.7. Tipo di rete.....	221
5.8. Lunghezza del cablaggio delle batterie.....	222
5.9. Lunghezza del cablaggio di rete/generatore ausiliario.....	222
5.10. Pannelli fotovoltaici	222
6. Installazione del dispositivo	223
6.1. Requisiti generali di installazione	223
6.2. Fissaggio del dispositivo a parete.....	223
6.3. Apertura dell'involucro	224
7. Connessione/disconnessione del cablaggio sui morsetti di tipo push-in.....	225
8. Connessione del sistema di accumulo	227
8.1. Indicazioni di sicurezza per la connessione del sistema di accumulo.....	227
8.2. Requisiti del cablaggio per la connessione del sistema di accumulo.....	227
8.3. Procedura di connessione del sistema di accumulo	228
9. Connessione del Kit opzionale del sensore di temperatura PT-100 per batterie al piombo-acido	229
9.1. Istruzioni di sicurezza per la connessione del Kit opzionale del sensore di temperatura PT-100 per batterie al piombo-acido.....	229
9.2. Requisiti del cablaggio per la connessione del Kit opzionale del sensore di temperatura PT-100 per batterie al piombo-acido.....	229
9.3. Procedura di connessione del Kit opzionale del sensore di temperatura PT-100 per batterie al piombo-acido.....	229
10. Connessione dei carichi critici	233
10.1. Istruzioni di sicurezza per la connessione dei carichi critici	233
10.2. Requisiti di cablaggio per la connessione dei carichi critici	233
10.3. Procedura di connessione dei carichi critici	234

11. Connessione della rete/generatore ausiliario	235
11.1. Indicazioni di sicurezza per la connessione della rete/generatore ausiliario	235
11.2. Requisiti di cablaggio per la connessione della rete/generatore ausiliario	235
11.3. Procedura di connessione della rete/generatore ausiliario	236
12. Connessione dell'impianto fotovoltaico	238
12.1. Indicazioni di sicurezza per la connessione dell'impianto fotovoltaico	238
12.2. Requisiti del cablaggio per la connessione dell'impianto fotovoltaico	238
12.3. Procedura di connessione dell'impianto fotovoltaico	238
13. Connessione della comunicazione RS-485 per il wattmetro esterno.....	240
13.1. Istruzioni di sicurezza per la connessione della comunicazione RS-485 per il wattmetro esterno	240
13.2. Requisiti di cablaggio per la connessione della comunicazione RS-485 per il wattmetro esterno.....	240
13.3. Procedura di connessione della comunicazione RS-485 per il wattmetro esterno.....	241
14. Collegamento della comunicazione CAN per batterie agli ioni di litio.....	242
14.1. Istruzioni di sicurezza per la connessione della comunicazione CAN per batterie agli ioni di litio	242
14.2. Requisiti di cablaggio per la connessione della comunicazione CAN per batterie agli ioni di litio	242
14.3. Procedura di connessione della comunicazione CAN per le batterie agli ioni di litio.....	243
15. Connessione delle uscite digitali.....	244
15.1. Indicazioni di sicurezza per la connessione delle uscite digitali	244
15.2. Requisiti del cablaggio per la connessione delle uscite digitali	244
15.3. Procedura di connessione delle uscite digitali.....	244
16. Connessione degli ingressi digitali	246
16.1. Indicazioni di sicurezza per la connessione dell'ingresso digitale	246
16.2. Requisiti del cablaggio per la connessione dell'ingresso digitale	246
16.3. Procedura di connessione degli ingressi digitali	246
17. Connessione Ethernet TCP	248
17.1. Istruzioni di sicurezza per la connessione Ethernet TCP	248
17.2. Procedura di connessione Ethernet TCP	248
18. Messa in servizio.....	249
18.1. Revisione del dispositivo.....	249
18.1.1. Ispezione	249
18.1.2. Chiusura ermetica del dispositivo	249
18.2. Messa in funzione.....	249
18.2.1. Prima configurazione del dispositivo	250
19. Utilizzo del dispositivo.....	251
19.1. Pannello di controllo	251
19.2. Gestione dell'inverter mediante l'applicazione web.....	251
19.3. Connessione locale all'inverter mediante la rete Wi-Fi.....	252
19.4. Connettere l'inverter a una rete Wi-Fi	252
19.5. Connessione all'inverter da remoto	252
19.6. Monitoraggio dell'inverter	253
19.6.1. Monitoraggio mediante Modbus-TCP.....	253
19.7. Configurazione dell'inverter.....	253
19.7.1. Configurazione del tipo di batteria	254
19.7.2. Configurare l'inverter per funzionare solo con l'impianto fotovoltaico, senza batterie.....	255
19.7.3. Configurazione della modalità di esercizio e dei relativi parametri	255
19.7.4. Configurazione della normativa per gli impianti di connessione alla rete	256
19.7.5. Configurazione del sistema di messa a terra TT/TN.....	257
19.7.6. Configurazione della carica delle batterie dalla rete di distribuzione.....	257
19.7.7. Configurazione della potenza massima di immissione dell'energia fotovoltaica in eccesso nella rete di distribuzione	258
19.7.8. Configurazione della funzione Battery-Backup negli impianti di autoconsumo	258
19.7.9. Configurazione del generatore ausiliario negli impianti stand-alone	259
19.7.10. Configurazione della carica delle batterie dal generatore	259
19.7.11. Configurare la protezione da sovraccarico e cortocircuito sull'uscita dei carichi critici	260
19.7.12. Configurazione delle uscite digitali	260
19.7.13. Configurazione degli ingressi digitali	260
19.7.14. Configurazione di un orario di scarica delle batterie.....	261
19.7.15. Configurazione delle modalità per fornire servizi di qualità alla rete	261

19.8. Uso del wattmetro interno all'inverter o di un wattmetro esterno	261
19.9. Aggiornamento del firmware dell'inverter	262
19.10. Ripristino della configurazione dell'inverter alle impostazioni di fabbrica	263
19.11. Motivi per la limitazione di potenza dell'inverter	264
19.12. Carica automatica di emergenza della batteria	264
19.13. Carica di equalizzazione delle batterie	265
19.14. Test ventilatore	265
19.15. Calibrazione delle batterie agli ioni di litio	266
19.16. Utilizzo di INGECON SUN 1Play in sistemi stand-alone.....	266
19.17. Visualizzazione della curva fotovoltaica	266
19.18. Esecuzione di un Autotest per CEI 0-21	267
19.19. Rilevamento del guasto di isolamento a terra e allarme.....	267
20. Risoluzione dei problemi.....	268
21. Disconnessione del dispositivo	269
21.1. Procedura di disconnessione del dispositivo	269
21.2. Disconnessione del cablaggio ai morsetti di tipo push-in.....	269
22. Manutenzione preventiva	270
22.1. Condizioni di sicurezza	270
22.2. Stato dell'involucro	270
22.3. Stato dei cavi e dei terminali	270
22.4. Sistema di raffreddamento.....	270
22.5. Ambiente	270
23. Smaltimento dei rifiuti.....	271

1. Informazioni su questo manuale

Lo scopo del presente manuale è quello di descrivere i dispositivi INGECON SUN STORAGE 1Play TL M e di fornire informazioni adeguate per la corretta ricezione, installazione, messa in funzione, manutenzione e funzionamento.

1.1. Campo di applicazione e nomenclatura

Il presente manuale è valido per i seguenti dispositivi:

Nome completo	Abbreviazione
INGECON SUN STORAGE 1Play 3TL M	1Play 3TL M
INGECON SUN STORAGE 1Play 4.5TL M	1Play 4.5TL M
INGECON SUN STORAGE 1Play 6TL M	1Play 6TL M

Nel presente documento i diversi modelli vengono citati utilizzando il nome completo o la relativa abbreviazione. Inoltre, tutti i modelli della famiglia INGECON SUN STORAGE 1Play TL M saranno indicati genericamente con i termini *dispositivo* o *inverter*.

1.2. Destinatari

Il presente documento è rivolto a personale qualificato.

Quando nel presente manuale si parla di personale qualificato, si intende personale che risponde a tutte le norme, le direttive e le leggi in materia di sicurezza, applicabili agli interventi di installazione e funzionamento di questo dispositivo.

Ingeteam raccomanda che l'installazione di questo dispositivo sia eseguita da un installatore professionista.

1.3. Avvisi

Nel manuale sono presenti avvisi per segnalare informazioni di particolare rilievo. A seconda della natura del testo sono possibili tre tipi di avvisi:



PERICOLO

Indica pericoli per l'incolumità della persona o per l'inverter.



ATTENZIONE

Indicazione importante.



INFORMAZIONI

Informazioni aggiuntive o riferimenti ad altre parti del documento o ad altri documenti.

2. Descrizione del dispositivo

L'inverter ibrido INGECON SUN STORAGE1Play TL M permette di combinare la generazione FV e l'accumulo di energia senza la necessità di ulteriori inverter fotovoltaici.

Questo inverter presenta un doppio sistema di inseguimento del punto di massima potenza (*MPPT*), che permette di estrarre la massima potenza dall'impianto fotovoltaico, anche in impianti su tetti con diversi orientamenti o con ombreggiamento parziale.

Grazie all'*Energy Managment System (EMS)* integrato, l'impianto può essere monitorato in qualsiasi momento tramite PC o cellulare con l'applicazione gratuita INGECON SUN Monitor.

Inoltre, è in grado di funzionare in modalità stand-alone o connesso alla rete di distribuzione nei seguenti tipi di impianti.

Impianti stand-alone

Sistema disconnesso dalla rete di distribuzione il cui scopo è quello di fornire energia alternata a un insieme di utenze.

In questo tipo di impianto è possibile installare un generatore ausiliario, che può essere avviato tramite un'uscita a potenziale libero per caricare le batterie.

Impianti UPS

Sistema interconnesso con la rete di distribuzione il cui scopo principale è quello di essere utilizzato come backup nel caso di caduta di rete. In questo caso l'impianto agisce da UPS off-line.

Impianti di autoconsumo

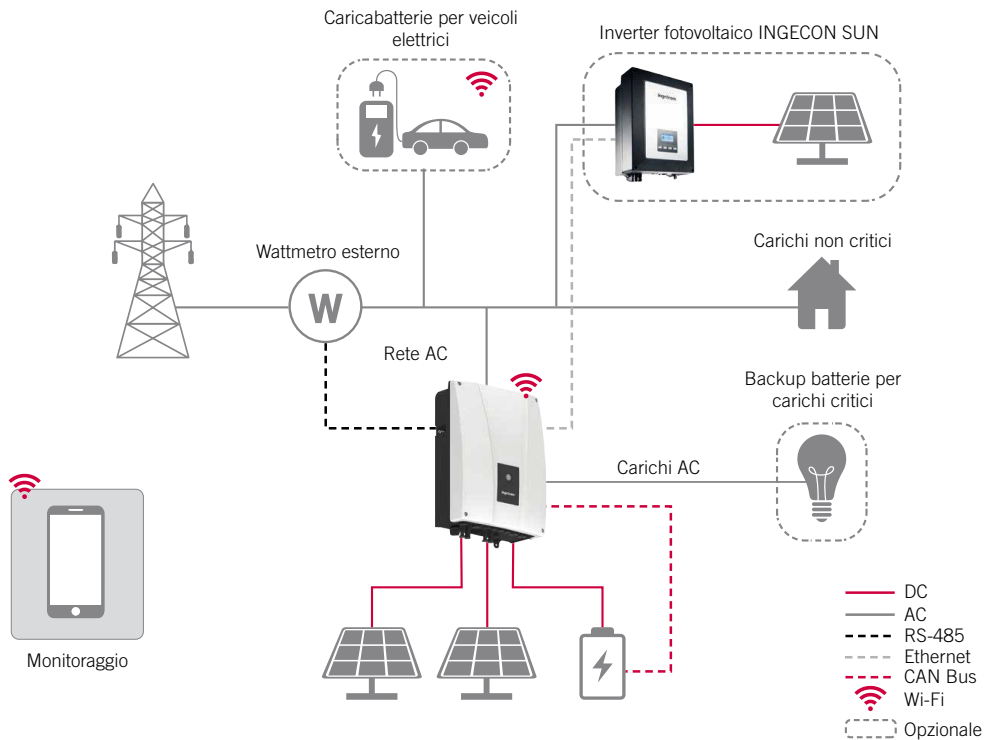
Sistema interconnesso alla rete di distribuzione che cerca di ridurre al minimo il consumo dalla rete e di aumentare l'autoapprovvigionamento.

Se la produzione di energia supera la domanda, la quantità in eccesso può essere utilizzata per caricare le batterie ed essere erogata in rete. Dispone anche della funzionalità *Battery-Backup* in modo che, in caso di caduta di rete, l'inverter alimenti i carichi critici dalle batterie e dai pannelli fotovoltaici.

INFORMAZIONI

Per maggiori informazioni su questo tipo di impianti consultare la "Guida tecnica agli impianti con INGECON SUN STORAGE 1Play TL M" disponibile sul sito di Ingeteam.

2.1. Schema elettrico del sistema



i INFORMAZIONI

Questo diagramma rappresenta un impianto di autoconsumo tipico. Per maggiori informazioni sui diversi tipi di impianti consultare la “Guida tecnica agli impianti con INGECON SUN STORAGE 1Play TL M” disponibile sul sito di Ingeteam.

2.2. Requisiti EMC

I dispositivi INGECON SUN STORAGE 1Play TL M sono dotati degli elementi filtranti necessari per l'adempimento dei requisiti EMC per applicazioni domestiche, allo scopo di evitare radiodisturbi in altri dispositivi esterni all'impianto.

2.3. Inquinamento acustico

Il funzionamento di questo dispositivo genera un leggero ronzio.

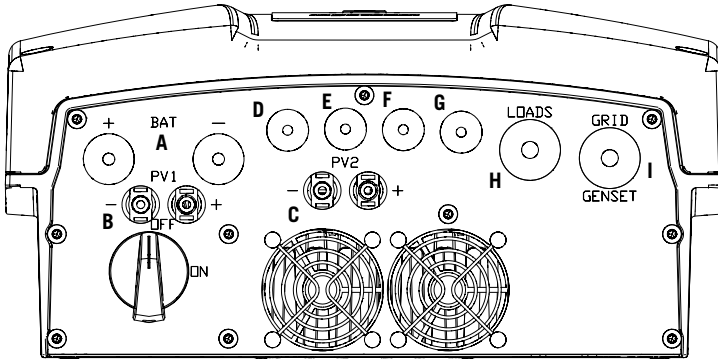
Non collocarlo su supporti leggeri che possano amplificare tale ronzio. La superficie di montaggio deve essere solida, in grado di sopportare il peso del dispositivo.

2.4. Caratteristiche

	3TL M	4.5TL M	6TL M
Ingresso del sistema di accumulo (CC)			
Range di tensione ⁽¹⁾	40 ~ 460 V		
Corrente massima di carica/scarica	66 A		
Tipo di batterie	Piombo-acido, ioni di litio (LG, BYD, Pylontech...) ⁽²⁾		
Comunicazione con batterie agli ioni di litio	Bus CAN 2.0		
Ingresso impianto fotovoltaico (CC)			
Potenza massima dell'impianto FV	11,5 kWp		
Range di tensione MPP	80 ~ 480 V		
Range di tensione operativa	80 ~ 540 V		
Tensione massima di ingresso ⁽³⁾	550 V		
Corrente massima di ingresso (ingresso 1 / ingresso 2) ⁽⁴⁾	13,5 A / 13,5 A		
Numero MPPT	2		
Numero di ingressi (ingresso 1 / ingresso 2)	1 / 1		
Ingresso di rete/generatore ausiliario (CA)			
Tensione nominale	230 V		
Range di tensione	172 ~ 264 V		
Frequenza nominale	50 / 60 Hz		
Range di frequenza	40 ~ 70 Hz		
Tipo di rete	TT / TN		
Potenza nominale	3 kW	4,5 kW	6 kW
Temperatura max per potenza nominale	40 °C		
Corrente massima	13 Arms	20 Arms	26 Arms
Fattore di potenza	-0,8 ~ 1 ~ 0,8		
Uscita carichi critici (CA)			
Potenza (25 °C) 30 min., 2 min., 3 s ⁽⁵⁾	6.400 / 6.900 / 7.900 W		
Corrente massima	13 Arms	20 Arms	26 Arms
Tensione nominale ⁽⁶⁾	220 ~ 240 V		
Frequenza nominale ⁽⁶⁾	50 / 60 Hz		
Fattore di potenza	-0,8 ~ 1 ~ 0,8		
Tempo di risposta della funzione Back-up	12 ms		
Prestazioni			
Efficienza massima	95,5 %	96 %	96 %
Efficienza europea	95,1 %	95,2 %	95,2 %
Dati generali			
Sistema di raffreddamento	Ventilazione forzata		
Portata dell'aria	45 m ³ /h		
Peso	26 kg		
Dimensioni (altezza x larghezza x profondità)	470 x 360 x 180 mm		
Consumo in standby	<10 W		
Temperatura di esercizio	-20 ~ +65 °C		
Umidità relativa (senza condensa)	4% ~ 100%		
Grado di protezione	IP65		
Altitudine massima	2000 m		
Categoria di sovratensione	Categoria III (CA) / Categoria II (CC)		
Marchio	CE		
Normativa EMC e di sicurezza	EN 61000-6-1, EN 61000-6-2, EN 61000-6-3, EN 61000-6-4, EN 61000-3-11, EN 61000-3-12, EN 62109-1, EN62109-2, AS62040.1, FCC PART 15		
Normativa di connessione alla rete di distribuzione	DIN V VDE V 0126-1-1, EN 50438, CEI 0-21, VDE-AR-N4105:2011-08, G59/3, G83/2, AS4777.2:2015, IEC 62116, IEC 61727, UNE 206007-1:2013, UNE 206006:2011, UNE 217001 IN:2015,NRS097-2-1, ABNT NBR 16149, ABNT NBR 16150, South African Grid code, P.O.12.2, G99, EN 50549-1		

⁽¹⁾ La potenza massima erogata dalla batteria sarà la tensione delle batterie moltiplicata per la corrente di scarica massima. ⁽²⁾ Consultare il sito web di Ingeteam per un elenco di batterie compatibili. ⁽³⁾ Non superare in nessun caso. Considerare l'aumento di tensione dei pannelli "Voc" a basse temperature. ⁽⁴⁾ Per le entrate PV collegate in parallelo, la corrente massima totale sarebbe di 27 A. ⁽⁵⁾ In modalità stand-alone, queste potenze sono disponibili solo se la potenza delle batterie assieme alla potenza fotovoltaica raggiungono questi valori. ⁽⁶⁾ Tensione e frequenza configurabili.

2.5. Descrizione degli accessi dei cavi



- A. Sistema di accumulo.
Pressacavo M20
- B. Impianto fotovoltaico 1.
Connettori rapidi PV MC4
- C. Impianto fotovoltaico 2.
Connettori rapidi PV MC4
- D. Ingressi e uscite digitali.
Pressacavo M16
- E. Comunicazione RS-485 per
wattmetro esterno.
Pressacavo M16
- F. Comunicazione CAN per batterie
agli ioni di litio con BMS o Kit
sensore di temperatura per batterie
al piombo-acido.
Pressacavo M16
- G. Ethernet.
Pressacavo M16
- H. Carichi critici.
Pressacavo M25
- I. Rete/generatore ausiliario.
Pressacavo M25

Dimensione del pressacavo	Intervallo di diametri ammissibili
M16	5 mm ~ 9 mm
M20	8 mm ~ 13 mm
M25	11 mm ~ 17 mm

3. Ricevimento del dispositivo e stoccaggio

3.1. Ricevimento

Conservare il dispositivo imballato fino all'installazione. Mantenere sempre il dispositivo in **posizione orizzontale**.

3.2. Identificazione del dispositivo

Il numero di serie del dispositivo lo identifica in modo inequivocabile. In qualsiasi comunicazione con Ingeteam si deve fare riferimento a questo numero.

Il numero di serie del dispositivo è indicato anche sulla relativa targhetta identificativa.

3.3. Danni durante il trasporto

Se il dispositivo ha subito danni durante il trasporto:

1. Non procedere all'installazione.
2. Notificare immediatamente il fatto al proprio rivenditore entro 5 giorni dal ricevimento del dispositivo.

Se fosse necessario restituire il dispositivo al costruttore, si dovrà usare l'imballaggio originale.

3.4. Stoccaggio

ATTENZIONE

L'inosservanza delle istruzioni fornite in questa sezione può provocare danni al dispositivo.

Ingeteam declina qualsiasi responsabilità per danni derivanti dall'inosservanza delle presenti istruzioni.

Se il dispositivo non viene installato immediatamente dopo il ricevimento, per evitarne il deterioramento occorre procedere come indicato di seguito:

- Il pacchetto deve essere stoccato in posizione orizzontale.
- Mantenere pulito il dispositivo (eliminare polvere, trucioli, grasso, ecc.) ed evitare la presenza di roditori.
- Proteggerlo da schizzi d'acqua, scintille di saldatura, ecc.
- Coprire il dispositivo con un materiale protettivo traspirante per evitare la condensa provocata dall'umidità ambientale.
- I dispositivi stoccati non devono essere sottoposti a condizioni climatiche diverse rispetto a quelle indicate nella sezione *"2.4. Caratteristiche"*.
- È molto importante proteggere l'impianto da prodotti chimici corrosivi e dagli ambienti salini.
- Non stoccare il dispositivo sottoponendolo a intemperie.

3.5. Conservazione

Per la conservazione corretta dei dispositivi, rimuovere l'imballaggio originale soltanto al momento dell'installazione.

In caso di stoccaggio prolungato si consiglia di riporre i dispositivi in un luogo asciutto evitando, per quanto possibile, bruschi sbalzi di temperatura.

Il deterioramento dell'imballaggio (tagli, fori, ecc.) impedisce una corretta conservazione dei dispositivi prima dell'installazione. Ingeteam declina ogni responsabilità in caso di mancato rispetto di questa condizione.

4. Movimentazione del dispositivo

Durante il trasporto, il dispositivo deve essere protetto da urti meccanici, vibrazioni, schizzi d'acqua (pioggia) e da qualsiasi altro prodotto o situazione in grado di danneggiarlo o alterarne il comportamento. Il mancato rispetto di queste istruzioni può provocare la decadenza della garanzia del prodotto, senza che ciò comporti alcuna responsabilità da parte di Ingeteam.

4.1. Trasporto

Movimentazione con transpallet

Devono essere rispettate almeno le seguenti indicazioni:

1. Depositare i dispositivi imballati in posizione centrale rispetto alle forche.
2. Sistemarli il più vicino possibile all'attacco delle forche al montante.
3. In ogni caso, rispettare le istruzioni del manuale d'uso del transpallet.

Movimentazione con carrello elevatore

Devono essere rispettate almeno le seguenti indicazioni:

1. Depositare i dispositivi imballati in posizione centrale rispetto alle forche.
2. Sistemarli il più vicino possibile all'attacco delle forche al montante.
3. Controllare che le forche siano perfettamente allineate, per evitare possibili ribaltamenti del dispositivo.
4. In ogni caso, rispettare le istruzioni del manuale d'uso del carrello.

Disimballare il dispositivo solo al momento dell'installazione, dopo averlo sistemato nella posizione di destinazione.

In questo momento è possibile trasportarlo verticalmente senza l'imballaggio, ma solo per una breve distanza. Seguire le indicazioni della sezione seguente.

Movimentazione del dispositivo disimballato

Devono essere rispettate almeno le seguenti indicazioni:

1. Usare le cavità laterali per afferrare il dispositivo con entrambe le mani.
2. Seguire i consigli ergonomici necessari per sollevare pesi.
3. Non lasciare il dispositivo finché non è perfettamente fissato o posizionato.
4. Seguire le indicazioni di un'altra persona che faccia da guida nei movimenti da eseguire.

4.2. Disimballo

La movimentazione corretta dei dispositivi è di vitale importanza per:

- Non danneggiare l'imballaggio che consente di mantenerli in condizioni ottimali, dalla spedizione al momento in cui vengono installati.
- Evitare urti o cadute dei dispositivi che potrebbero danneggiarne le caratteristiche meccaniche, ad esempio, chiusura errata delle porte, perdita del grado di protezione, ecc.
- Evitare, per quanto possibile, le vibrazioni, che potrebbero provocare un successivo funzionamento anomalo.

In caso si rilevino delle anomalie contattare immediatamente Ingeteam.

Smaltimento dell'imballaggio

L'imballaggio può essere consegnato a un gestore autorizzato di rifiuti non pericolosi.

In ogni modo, la destinazione di ogni parte dell'imballaggio sarà:

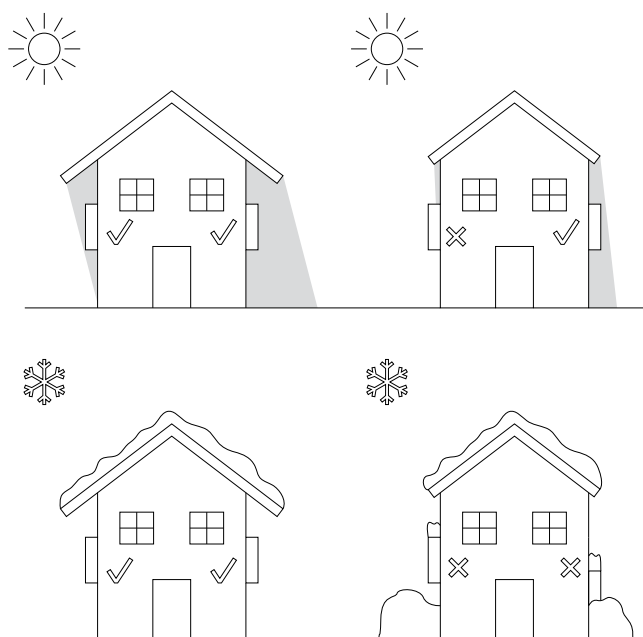
- Plastica (polistirolo, borsa e fogli di plastica a bolle): relativo contenitore.
- Cartone: relativo contenitore.

5. Preparazione per l'installazione del dispositivo

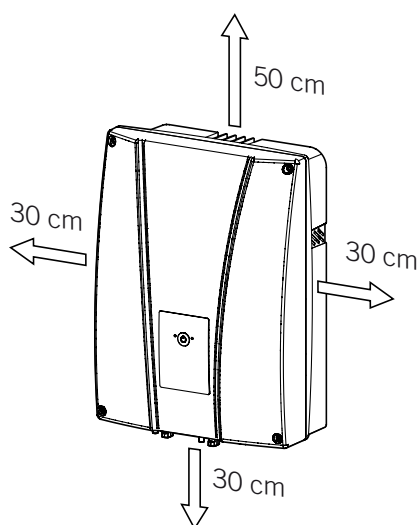
Per decidere l'ubicazione del dispositivo e programmare l'installazione bisogna seguire una serie di indicazioni dovute alle caratteristiche del dispositivo stesso. Questo capitolo riepiloga tali indicazioni e dettaglia gli elementi esterni al dispositivo necessari per un funzionamento corretto.

5.1. Ambiente

- Questi dispositivi possono essere installati in interni ed esterni.
- Collocare i dispositivi in luoghi accessibili per gli interventi di installazione e manutenzione, e che permettano la lettura dei LED indicatori frontali.
- Evitare ambienti corrosivi che possono influenzare il corretto funzionamento dell'inverter.
- È proibito lasciare qualsiasi oggetto sul dispositivo.
- Gli inverter non devono essere esposti alla radiazione solare diretta.



- Le distanze indicate qui di seguito devono essere mantenute libere da ostacoli:



5.2. Condizioni ambientali

Per scegliere l'ubicazione più adatta, occorre tenere in considerazione le condizioni ambientali di esercizio del dispositivo indicate nelle caratteristiche.

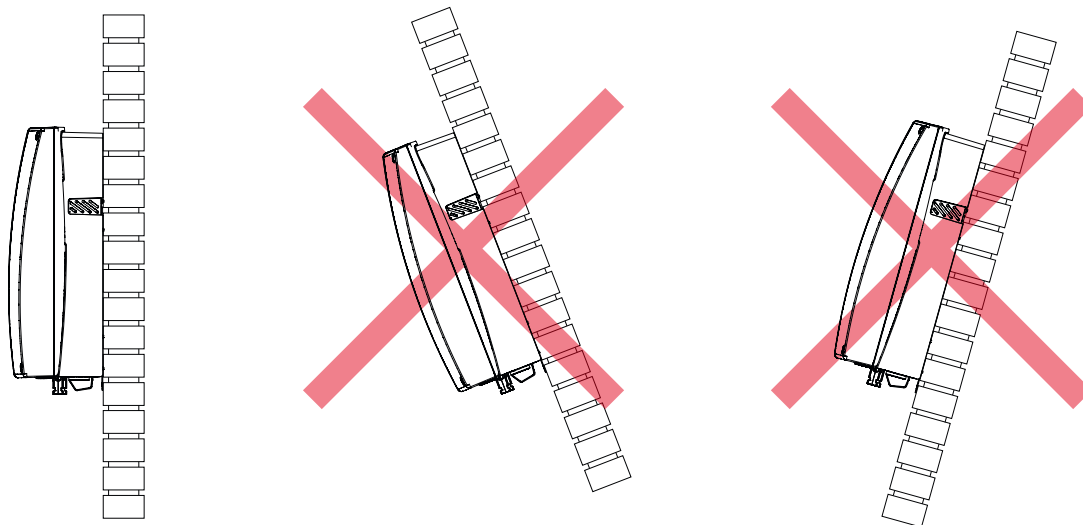
L'aria ambiente deve essere pulita e l'umidità relativa deve essere compresa tra il 4% e il 50% in caso di temperature superiori a 40 °C. Percentuali di umidità relativa maggiori fino al 95% sono ammissibili a temperature inferiori a 30 °C.

È opportuno ricordare che, occasionalmente, si potrebbe produrre una condensa moderata come conseguenza degli sbalzi di temperatura. Oltre alla protezione del dispositivo è importante che i dispositivi siano monitorati quando utilizzati in luoghi in cui è probabile che non si verifichino le condizioni descritte sopra.

Non applicare mai tensione al dispositivo in presenza di condensa.

5.3. Superficie di appoggio e fissaggio

Per garantire il corretto smaltimento del calore e favorire la tenuta, i dispositivi devono essere appesi a una parete perfettamente verticale o, eventualmente, con un'inclinazione massima di +80° o -80°.



La parete alla quale va fissato il dispositivo deve essere solida. Deve essere possibile trapanare la parete e inserire i tasselli e i tirafondi adatti a sopportare il peso del dispositivo.

5.4. Protezione della connessione di carichi critici

Interruttore magnetotermico

È necessario installare un interruttore magnetotermico all'uscita dei carichi critici.

Nella tabella successiva sono riportati i dati necessari all'installatore per la scelta di questo dispositivo.

INGECON SUN STORAGE 1Play TL M	Corrente massima	Corrente nominale dell'interruttore magnetotermico
3TL M	13 Arms	20 Arms
4.5TL M	20 Arms	32 Arms
6TL M	26 Arms	32 Arms

Inoltre, al momento della scelta della protezione, occorre ricordare che la temperatura dell'ambiente di lavoro influisce sulla corrente massima ammessa dalle protezioni, secondo le indicazioni del fabbricante.

È necessario installare una protezione differenziale sulla linea di carico critica in conformità alla normativa attuale del paese di installazione.

5.5. Protezione della connessione alla rete/generatore ausiliario

Interruttore magnetotermico

È necessario installare un interruttore magnetotermico nella connessione tra l'inverter e la rete/generatore ausiliario.

Nella tabella successiva sono riportati i dati necessari all'installatore per la scelta di questo dispositivo.

INGECON SUN STORAGE 1Play TL M	Corrente massima	Corrente nominale dell'interruttore magnetotermico
3TL M	13 Arms	20 Arms
4.5TL M	20 Arms	32 Arms
6TL M	26 Arms	32 Arms

Al momento della scelta della protezione di un impianto si deve tenere in considerazione che il potere di interruzione dell'impianto stesso deve essere superiore alla corrente di cortocircuito del punto di connessione alla rete.

Inoltre, occorre ricordare che la temperatura di esercizio influisce sulla corrente massima ammessa dalle protezioni, secondo le indicazioni del fabbricante.

Interruttore differenziale

È necessario installare una protezione differenziale in conformità alla normativa attuale del paese di installazione, tra l'inverter e la rete elettrica.

5.6. Protezione della connessione del sistema di accumulo

⚠ ATTENZIONE

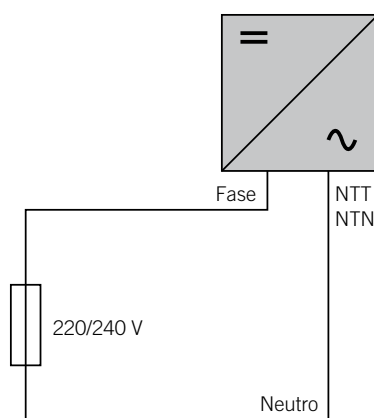
Questi inverter non supportano la messa a terra delle batterie. Pertanto, i morsetti del pacco batteria devono essere isolati da terra, altrimenti l'inverter causerà un guasto isolamento.

È obbligatorio installare un interruttore di corrente continua tra l'inverter e il pacco batteria. Deve essere dimensionato in modo da aprire il pacco batteria installato tenendo conto della corrente massima di carica e scarica.

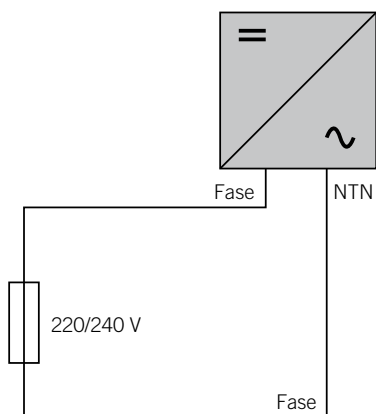
5.7. Tipo di rete

Questi inverter possono essere collegati a reti monofase o bifase che presentano le seguenti caratteristiche. Non sono compatibili con le reti *Split-phase*.

Reti monofase 220/240 Vac (L-N-PE)



Reti bifase 220/240 Vac (L-L-PE)



5.8. Lunghezza del cablaggio delle batterie

L'inverter misura la tensione della batteria nei morsetti di connessione. Per questo motivo, l'installatore deve utilizzare un cavo CC con un'impedenza sufficientemente bassa in modo che la procedura di carica/scarica della batteria non provochi la disconnessione del dispositivo a causa della tensione alta o bassa della batteria (vedere la sezione [“8.2. Requisiti del cablaggio per la connessione del sistema di accumulo”](#)).

5.9. Lunghezza del cablaggio di rete/generatore ausiliario

L'inverter misura la tensione della rete/generatore nei morsetti di connessione. Per questo motivo, l'installatore deve utilizzare un cavo CA con un'impedenza sufficientemente bassa in modo che l'assorbimento/immissione di corrente non provochi la disconnessione del dispositivo a causa di una tensione alta o bassa di rete (vedere la sezione [“11.2. Requisiti di cablaggio per la connessione della rete/generatore ausiliario”](#)).

5.10. Pannelli fotovoltaici

I pannelli fotovoltaici dell'impianto devono essere di classe A (*IEC 61730*). Questi dispositivi non permettono la messa a terra dei pannelli fotovoltaici, quindi il polo positivo e negativo dell'impianto fotovoltaico non devono essere messi a terra, altrimenti l'inverter causerà un guasto isolamento.

Tuttavia, la struttura metallica a cui sono fissati i pannelli fotovoltaici e/o il telaio metallico del pannello possono essere messi a terra.

6. Installazione del dispositivo

⚠ ATTENZIONE

Tutte le operazioni di installazione devono essere eseguite rispettando la direttiva in vigore.

Tutte le operazioni che comportano lo spostamento di pesi importanti devono essere realizzate da due persone.

Prima di procedere all'installazione del dispositivo, occorre rimuovere l'imballaggio, prestando particolare attenzione a non danneggiare l'involucro.

Verificare che non ci sia condensa all'interno dell'imballaggio. In caso contrario, installare il dispositivo solo quando sarà completamente asciutto.

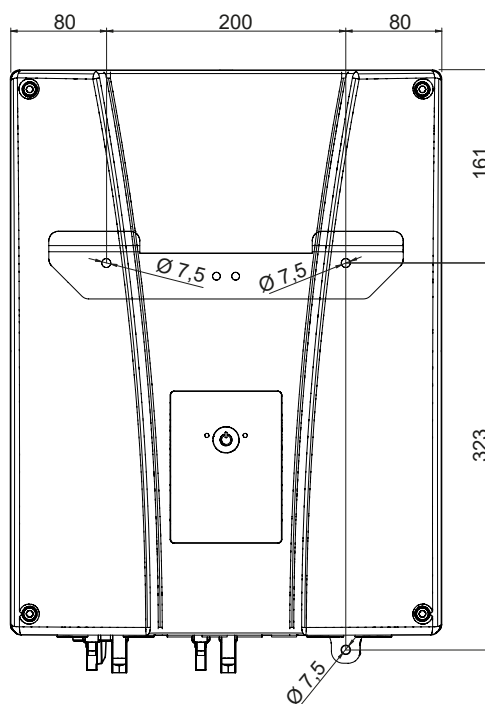
6.1. Requisiti generali di installazione

- Il dispositivo deve essere installato in un ambiente adatto, che soddisfi le indicazioni descritte nel capitolo "5. Preparazione per l'installazione del dispositivo". Inoltre, gli elementi utilizzati nel resto dell'impianto devono essere compatibili con il dispositivo e conformi alla legislazione applicabile.
- La ventilazione e lo spazio di lavoro devono essere adeguati agli interventi di manutenzione secondo la direttiva in vigore.
- I dispositivi esterni di connessione devono essere adatti e rispettare la distanza stabilita dalla direttiva in vigore.
- La sezione dei cavi di allacciamento deve essere adeguata all'intensità di corrente massima.
- Evitare la presenza di elementi esterni vicino alle entrate e uscite d'aria, in quanto potrebbero impedire la corretta ventilazione del dispositivo.

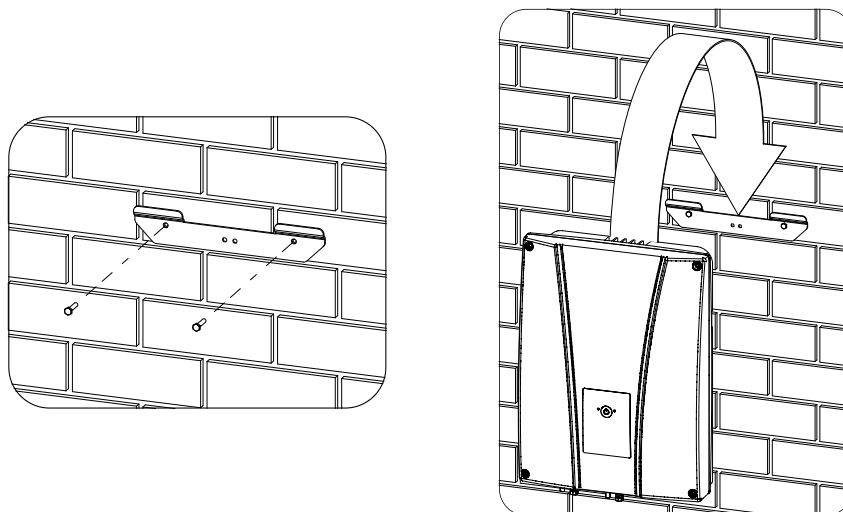
6.2. Fissaggio del dispositivo a parete

I dispositivi INGECON SUN STORAGE 1Play sono muniti di un sistema per il fissaggio mediante piastra. Di seguito vengono spiegati in dettaglio i passi da seguire per fissare il dispositivo in modo corretto. Tenere in considerazione il peso del dispositivo.

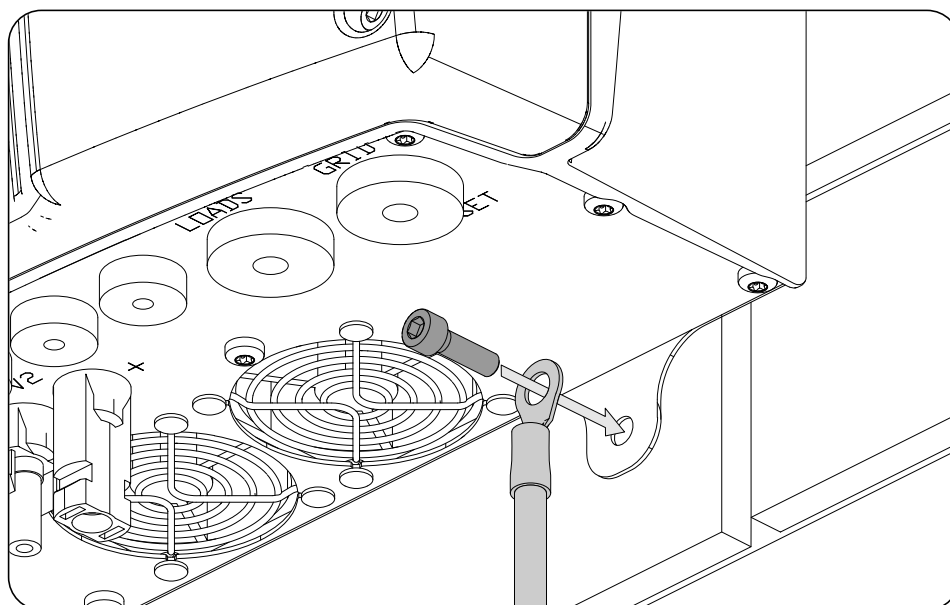
1. Segnare sulla parete i punti in cui si va a fissare la piastra e effettuare i fori con una punta adatta alla parete e agli elementi che si utilizzeranno successivamente per fissare la piastra.



2. Fissare la piastra con elementi di fissaggio in acciaio inox per evitarne la corrosione. Appendere il dispositivo alla piastra, incastrando le due linguette della stessa nelle apposite aperture situate nella parte posteriore del dispositivo. Usare le cavità laterali per afferrare il dispositivo con entrambe le mani.



3. Per evitare scosse elettriche dall'involucro dell'inverter nel caso di guasto del cavo di protezione connesso all'interno dell'inverter, è necessario mettere a terra l'involucro. A tal fine, connettere il cavo di messa a terra alla vite di fissaggio inferiore.



ATTENZIONE

Inoltre, è necessario connettere anche il cavo di protezione al morsetto di rete dell'inverter come descritto nella sezione ["11.3. Procedura di connessione della rete/generatore ausiliario"](#).

4. Verificare che il dispositivo sia stato fissato in modo corretto.

6.3. Apertura dell'involucro

Per accedere all'interno del dispositivo aprire il coperchio dell'involucro rimuovendo le quattro viti anteriori.

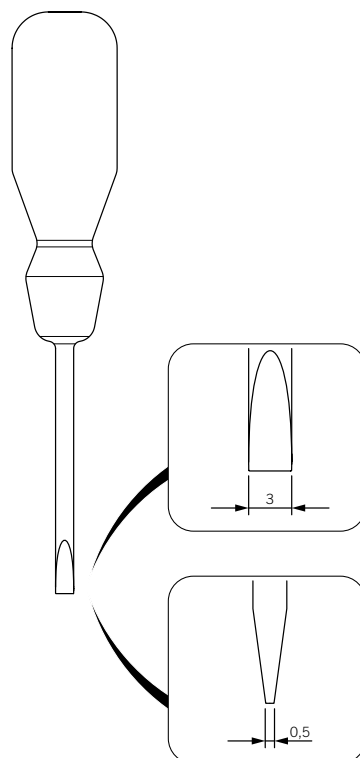
7. Connessione/disconnessione del cablaggio sui morsetti di tipo push-in

Per connettere i carichi critici e la rete/generatore ausiliario si utilizzano morsetti di tipo *push-in*.

Questa sezione descrive la procedura di connessione e disconnessione del cablaggio a questi morsetti, così come l'utensile da utilizzare.

Utensile necessario

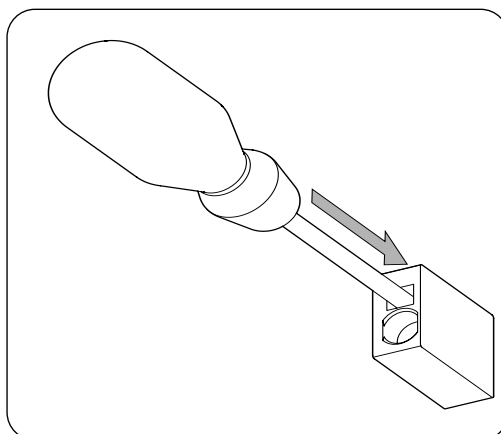
Per intervenire su questi morsetti è necessario utilizzare un cacciavite a taglio delle dimensioni massime indicate nella figura seguente.



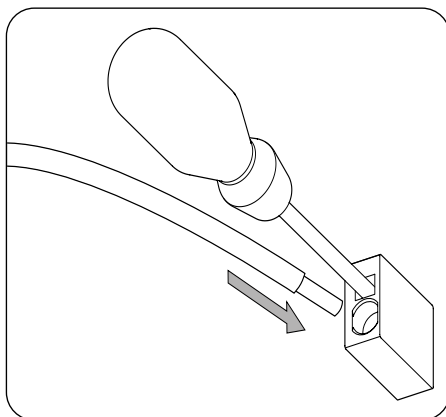
Connessione del cablaggio

Per connettere il cablaggio a questi morsetti, attenersi ai seguenti passaggi:

1. Inserire il cacciavite a taglio nel foro indicato.



2. Inserire il cablaggio.

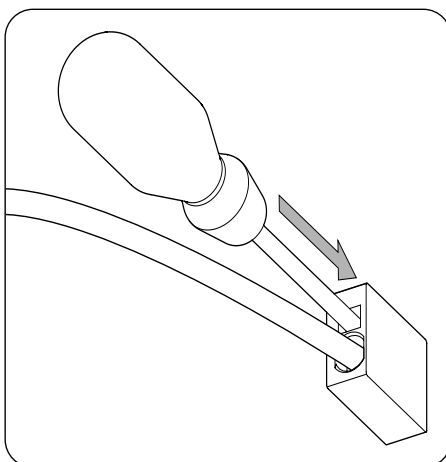


3. Rimuovere il cacciavite.
4. Verificare che la connessione sia stabile.

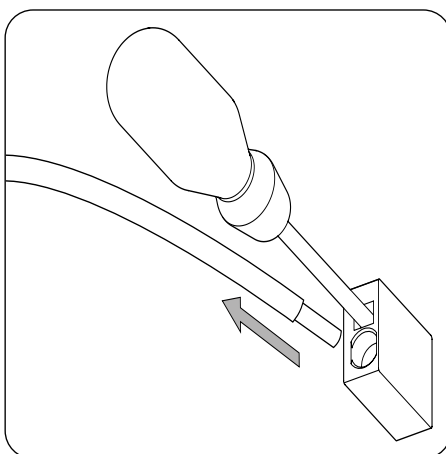
Disconnessione del cablaggio

Per disconnettere il cablaggio da questi morsetti, attenersi ai seguenti passaggi:

1. Inserire il cacciavite a taglio nel foro indicato.



2. Estrarre il cablaggio.



3. Rimuovere il cacciavite.

8. Connessione del sistema di accumulo

Questo capitolo spiega i requisiti e la procedura da seguire per connettere il cablaggio del sistema di accumulo nel dispositivo. Leggere attentamente le presenti istruzioni prima di avviare la procedura di connessione.

8.1. Indicazioni di sicurezza per la connessione del sistema di accumulo

ATTENZIONE

Prima di effettuare le connessioni assicurarsi che non vi sia tensione nell'inverter. Verificare che le protezioni della rete/generatore, dei carichi critici, del sistema di accumulo e dell'impianto fotovoltaico siano aperte.

Non alimentare il dispositivo prima di aver effettuato correttamente tutte le connessioni e di aver chiuso il dispositivo.

Quando si effettuano le connessioni rispettare le polarità serigrafate sulla scheda elettronica. In caso di connessione errata l'inverter può danneggiarsi.

Ingeteam declina ogni responsabilità per i danni causati da una connessione non corretta, così come da un'applicazione errata delle coppie di serraggio specificate.

8.2. Requisiti del cablaggio per la connessione del sistema di accumulo

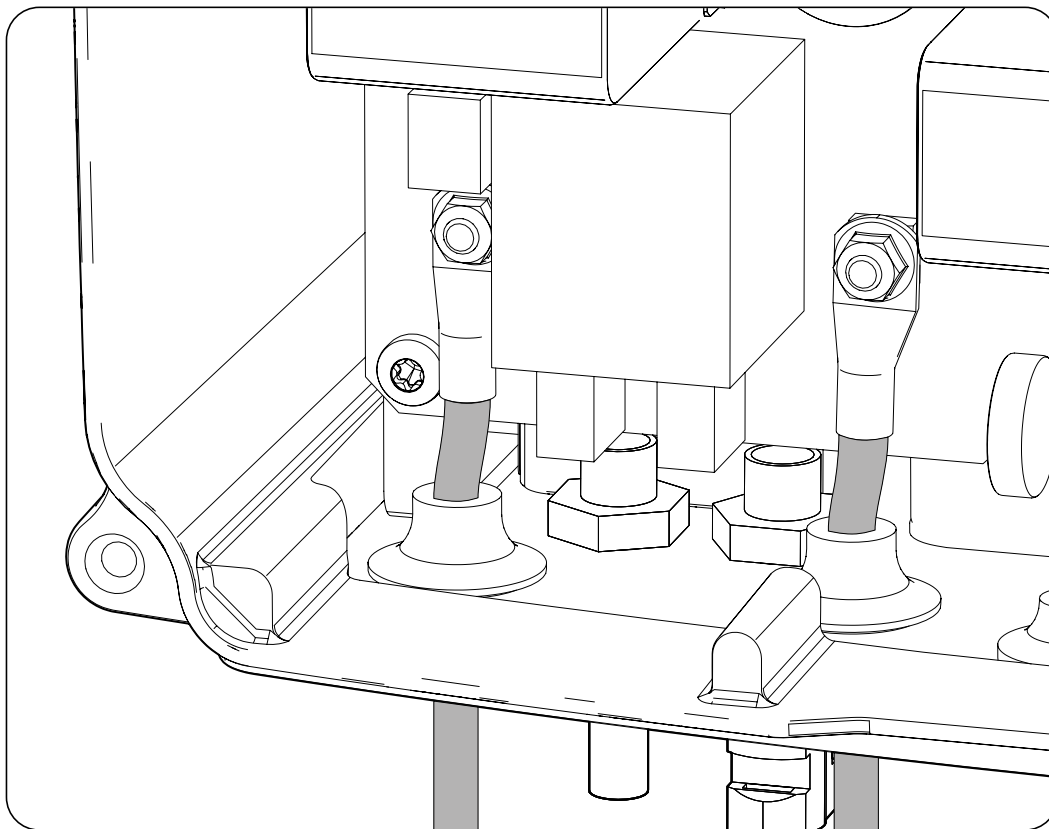
Nella tabella successiva sono riportate le caratteristiche dei cavi per la connessione del sistema di accumulo:

	INGECON SUN STORAGE 1Play TL M		
	Fino a 32 A	Fino a 40 A	Fino a 66 A
Sezione dei cavi	16 mm ²		
Diametro dei cavi	8 ~ 13 mm		
Altre caratteristiche*	Morsetto ad anello per vite M5 / Morsetto ad anello per vite M8		
Coppia di serraggio del dado*	M5: 2,5 Nm / M8: 9 Nm		

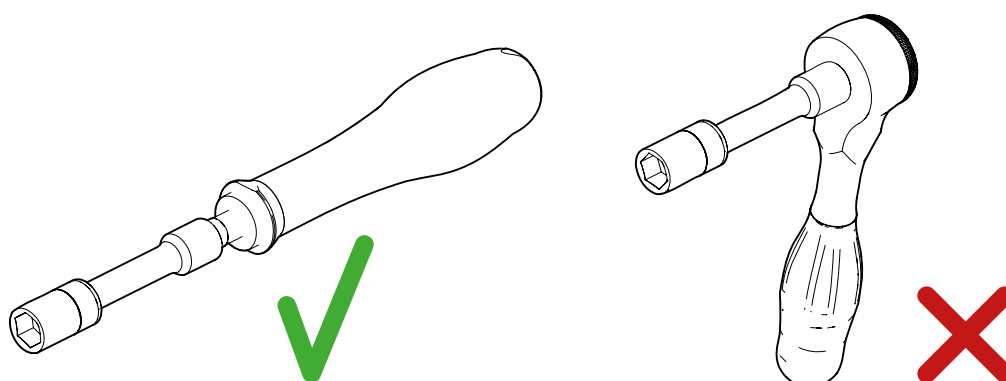
* La connessione del sistema di stoccaggio sull'hardware nuovo dell'inverter viene effettuata con M8 invece di M5. Verificare la metrica del proprio inverter e applicare la coppia corrispondente.

8.3. Procedura di connessione del sistema di accumulo

Per connettere il sistema di accumulo:



1. Inserire il cablaggio del sistema di accumulo attraverso il pressacavo dedicato rispettando le polarità.
2. Rimuovere i dadi e connettere il cablaggio ai morsetti contrassegnati come *J105 BATTERY +* e *J06 BATTERY -* rispettando le polarità.
3. Serrare i dadi alla coppia indicata sopra, in base alla loro dimensione metrica, per garantire un fissaggio corretto. È importante non serrare eccessivamente i dadi.



Utensili consigliati e sconsigliati per il serraggio dei dadi

4. Verificare che la connessione sia stabile.

9. Connessione del Kit opzionale del sensore di temperatura PT-100 per batterie al piombo-acido

L'installazione del Kit opzionale del sensore di temperatura PT-100 (riferimento ABH7203) permette una carica ottimale del sistema di accumulo in funzione della temperatura, prolungando così la durata delle batterie al piombo-acido.

Questo capitolo spiega i requisiti e la procedura di connessione del kit al dispositivo. Leggere attentamente le presenti istruzioni prima di avviare la procedura di connessione.

9.1. Istruzioni di sicurezza per la connessione del Kit opzionale del sensore di temperatura PT-100 per batterie al piombo-acido

⚠ ATTENZIONE

Prima di effettuare le connessioni assicurarsi che non vi sia tensione nell'inverter. Verificare che le protezioni della rete/generatore, dei carichi critici, del sistema di accumulo e dell'impianto fotovoltaico siano aperte.

Non alimentare il dispositivo prima di aver effettuato correttamente tutte le connessioni e di aver chiuso il dispositivo.

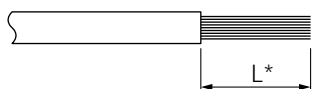
Quando si effettuano le connessioni osservare i segni di polarità.

Ingeteam declina ogni responsabilità per i danni causati da un collegamento non corretto.

9.2. Requisiti del cablaggio per la connessione del Kit opzionale del sensore di temperatura PT-100 per batterie al piombo-acido

Nella tabella successiva sono riportate le caratteristiche dei cavi per la connessione del sensore di temperatura:

INGECON SUN STORAGE 1Play TL M	
Sezione dei cavi	0,25 mm ² ~ 1,5 mm ²
Diametro del cavo multipolare	5 ~ 9 mm
Lunghezza della parte di cavo da spellare (L*)	8 mm



9.3. Procedura di connessione del Kit opzionale del sensore di temperatura PT-100 per batterie al piombo-acido

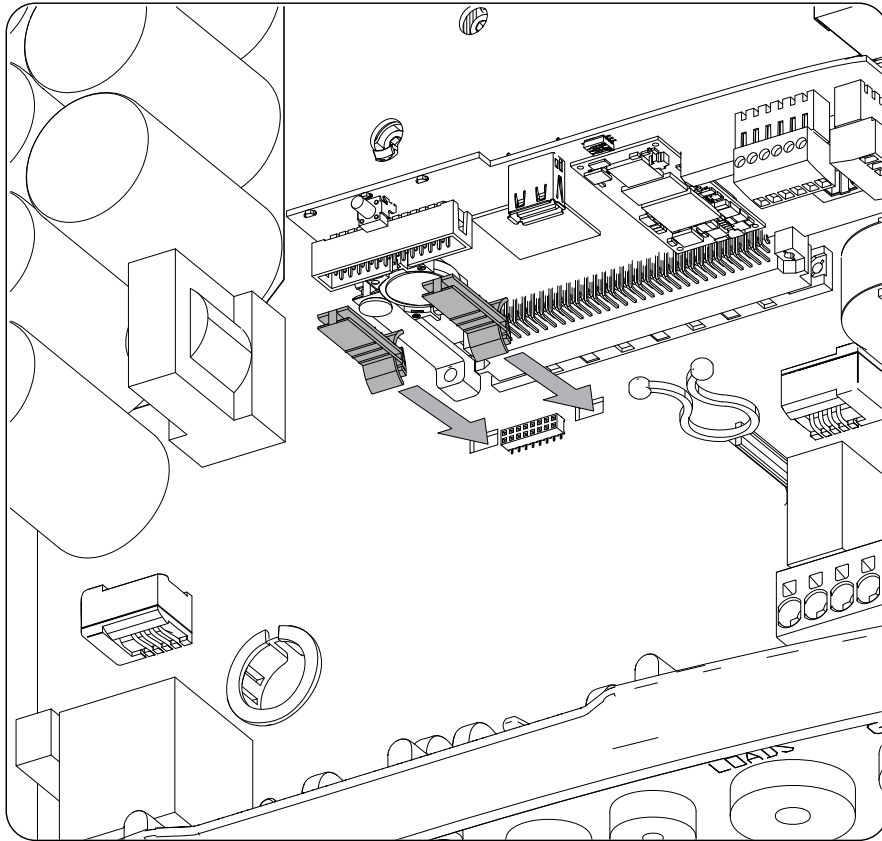
i INFORMAZIONI

Ingeteam consiglia di collocare il sensore in una batteria ubicata nella zona centrale del sistema di accumulo. Deve essere collocato, indicativamente, nel punto medio verticale della cella scelta, e fissato in modo adeguato secondo le caratteristiche dell'impianto.

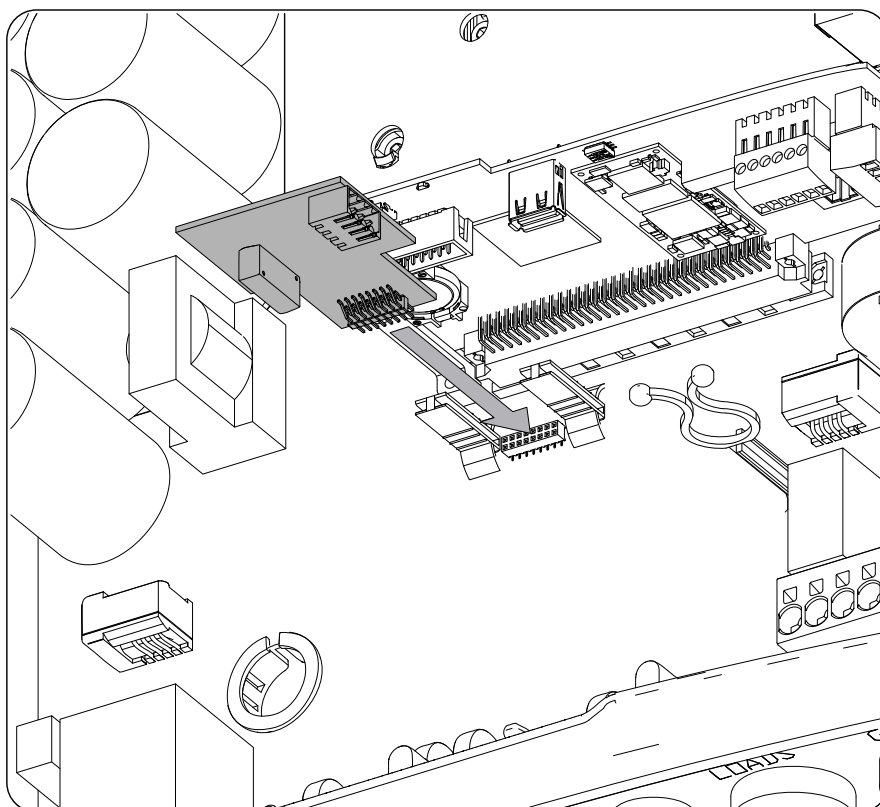
Ingeteam consiglia di usare sensori di temperatura a tre fili.

Per eseguire la connessione del Kit opzionale del sensore di temperatura, procedere come indicato di seguito:

1. Installare le due guide di plastica.

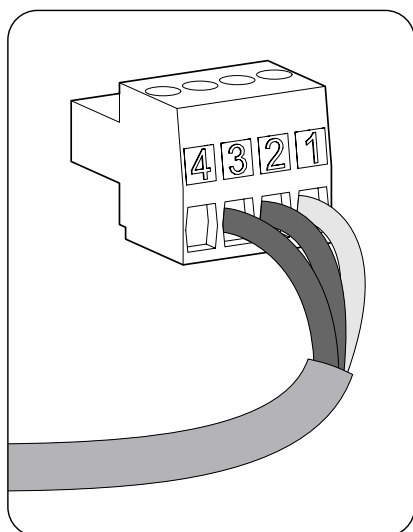


2. Aiutandosi con le guide installate nel punto precedente, connettere la scheda del kit alla scheda principale dell'inverter.



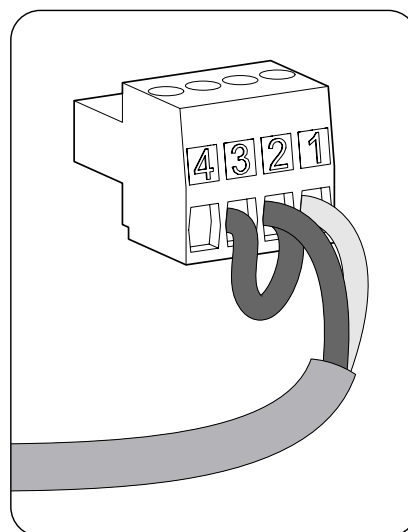
3. Inserire il cablaggio del sensore di temperatura attraverso il pressacavo dedicato nella parte inferiore dell'inverter.
4. Ingeteam consiglia di usare un sensore a tre fili, ma si può usare un sensore a due fili. Cablare il connettore rispettando le polarità indicate.

Sensore a tre fili



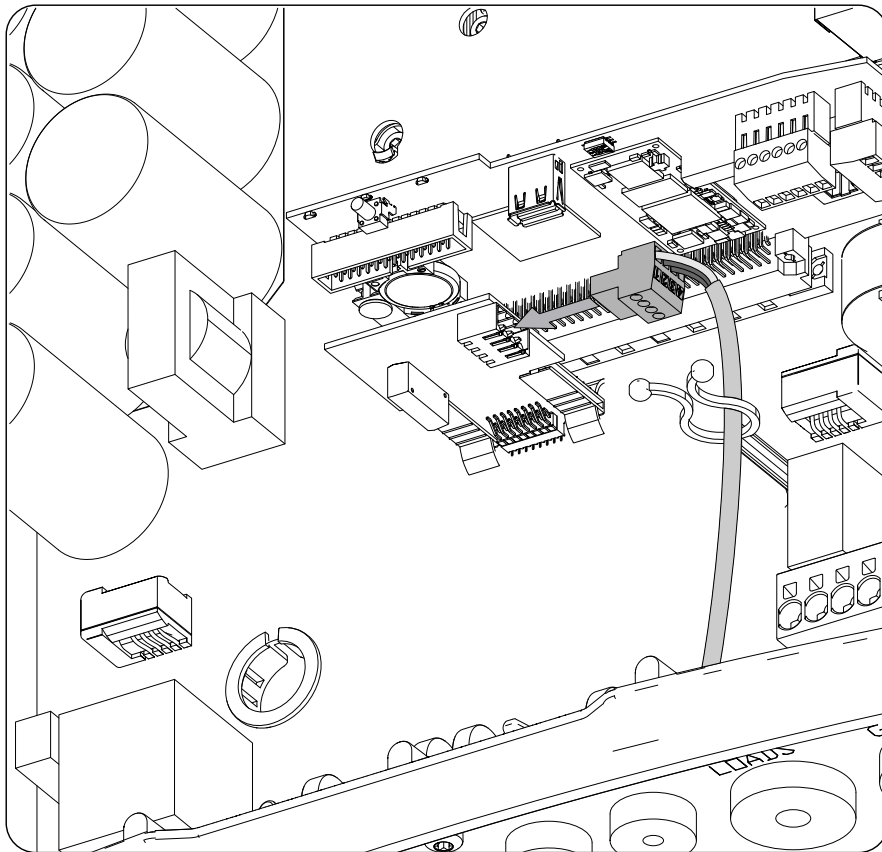
- 1: W (bianco)
- 2: R (rosso)
- 3: R (rosso)
- 4: Non usato

Sensore a due fili



- 1: W (bianco)
- 2: R (rosso)
- 3: Ponte 2-3
- 4: Non usato

5. Connettere il cablaggio alla scheda.



6. Verificare che la connessione sia stabile.

10. Connessione dei carichi critici

Questi dispositivi dispongono di un'uscita CA per la connessione dei carichi critici dell'impianto.

Questo capitolo indica i requisiti e la procedura da seguire per connettere il cablaggio dei carichi critici nel dispositivo. Leggere attentamente le presenti istruzioni prima di avviare la procedura di connessione.

10.1. Istruzioni di sicurezza per la connessione dei carichi critici

⚠ ATTENZIONE

Prima di effettuare le connessioni assicurarsi che non vi sia tensione nell'inverter. Verificare che le protezioni della rete/generatore, dei carichi critici, del sistema di accumulo e dell'impianto fotovoltaico siano aperte.

Non alimentare il dispositivo prima di aver effettuato correttamente tutte le connessioni e di aver chiuso il dispositivo.

Quando si effettuano le connessioni rispettare le polarità serigrafate sulla scheda elettronica.

Ingeteam declina ogni responsabilità per i danni causati da una connessione non corretta.

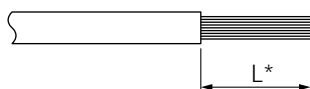
i INFORMAZIONI

Nei sistemi di messa a terra TT, quando l'inverter funziona off-grid CA, il neutro dei carichi critici viene messo a terra automaticamente dall'inverter. Questo dispositivo è dotato di un relè interno dedicato che svolge questa funzione.

10.2. Requisiti di cablaggio per la connessione dei carichi critici

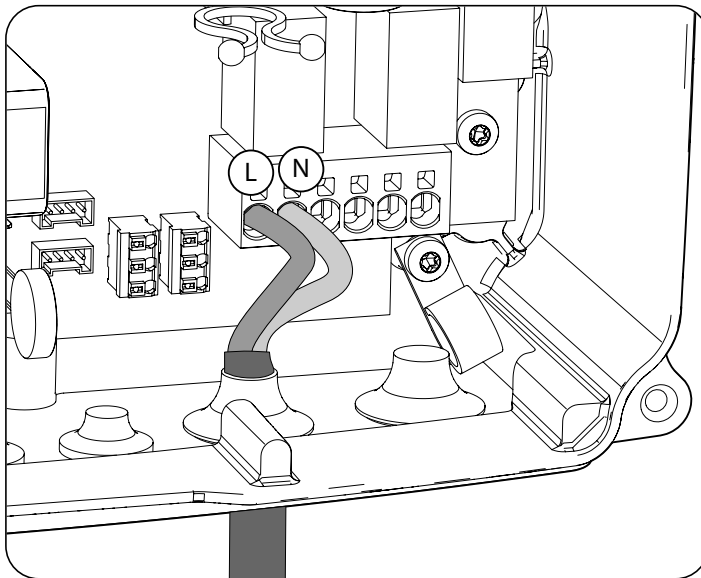
Nella tabella successiva è riportata la sezione dei cavi per la connessione dei carichi critici:

	INGECON SUN STORAGE 1Play TL M	
	Fino a 32 A	
Sezione massima del cavi	6 mm ²	
Diametro del cavo multipolare	11 ~ 17 mm	
Lunghezza della parte di cavo da spellare (L*)	18 mm	



10.3. Procedura di connessione dei carichi critici

Per eseguire la connessione dei carichi critici, procedere come indicato di seguito:



L Linea
N Neutro

1. Inserire il cablaggio dei carichi critici attraverso il pressacavo dedicato (vedere la sezione [“2.5. Descrizione degli accessi dei cavi”](#)).
2. Connetterlo ai morsetti tipo *push-in* contrassegnati come *J82 Critical Loads* rispettando le polarità. Il funzionamento di questo tipo di morsetto è descritto in [“7. Connessione/disconnessione del cablaggio sui morsetti di tipo push-in”](#).
3. Verificare che la connessione a molla *push-in* sia salda.

11. Connessione della rete/generatore ausiliario

A seconda delle necessità e delle caratteristiche dell'impianto, può essere disponibile una rete di distribuzione elettrica o un generatore ausiliario. Questo capitolo spiega i requisiti e la procedura da seguire per connettere il cablaggio della rete o del generatore ausiliario nel dispositivo.

⚠ PERICOLO

Prima di procedere alla connessione della rete, identificare il sistema di messa a terra TT o TN della rete stessa. Pericolo di folgorazione a causa di una connessione errata del conduttore neutro.

i INFORMAZIONI

In questo dispositivo è possibile utilizzare il sistema di messa a terra TT e TN. Il sistema utilizzato deve essere selezionato attraverso la relativa configurazione.

Se il conduttore neutro viene connesso in modo errato, la messa a terra dei carichi critici non funziona. Nei sistemi TT, il relè di trasferimento interno deve disconnettere il conduttore neutro tra i carichi critici e la rete/generatore ausiliario quando l'inverter non è connesso alla rete/generatore ausiliario. Al contrario, nei sistemi TN il conduttore neutro deve essere lo stesso tra i carichi critici e la rete/generatore ausiliario, quindi non può essere interrotto.

11.1. Indicazioni di sicurezza per la connessione della rete/generatore ausiliario

⚠ ATTENZIONE

Prima di effettuare le connessioni assicurarsi che non vi sia tensione nell'inverter. Verificare che le protezioni della rete/generatore, dei carichi critici, del sistema di accumulo e dell'impianto fotovoltaico siano aperte.

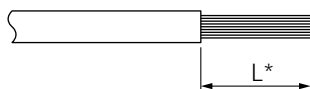
Non alimentare il dispositivo prima di aver effettuato correttamente tutte le connessioni e di aver chiuso il dispositivo.

Quando si effettuano le connessioni rispettare le polarità serigrafate sulla scheda elettronica.

11.2. Requisiti di cablaggio per la connessione della rete/generatore ausiliario

Nella tabella successiva è riportata la sezione dei cavi per la connessione della rete/generatore ausiliario:

	INGECON SUN STORAGE 1Play TL M	
	Fino a 32 A	
Sezione massima del cavi	6 mm ²	
Diametro del cavo multipolare	11 ~ 17 mm	
Lunghezza della parte di cavo da spellare (L*)	18 mm	



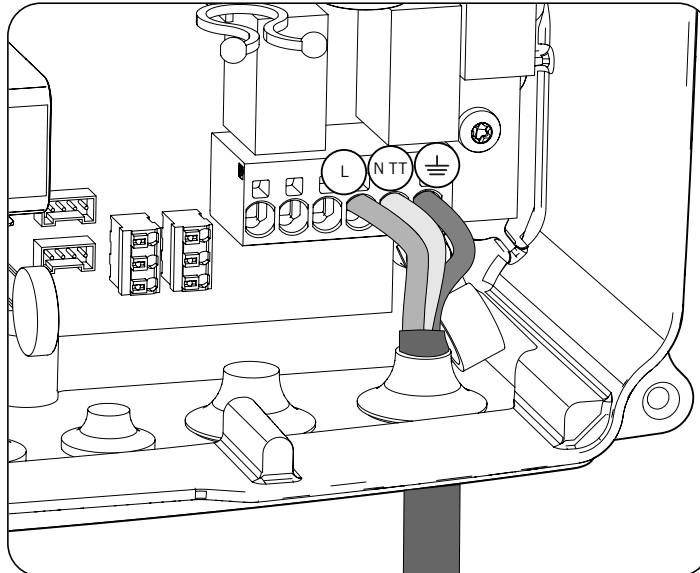
11.3. Procedura di connessione della rete/generatore ausiliario

⚠ ATTENZIONE

Per entrambi i sistemi TT e TN è necessario connettere il cavo di messa a terra al terminale di terra dell'inverter.

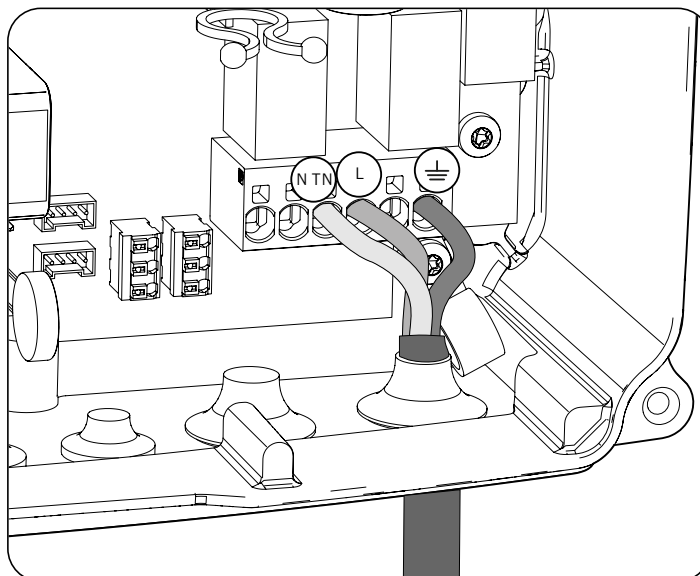
A seconda del sistema di messa a terra, TT o TN, attenersi alla seguente procedura.

Sistema di messa a terra TT



1. Inserire il cavo multipolare attraverso il pressacavo contrassegnato come *GRID/GENSET*.
2. Inserire i rispettivi cavi nei morsetti tipo push-in *J82 GRID*, rispettando la polarità. Il connettore neutro deve essere collegato al morsetto *J82 N_{TT}*. Il funzionamento di questo tipo di morsetto è descritto in "[7. Connessione/disconnessione del cablaggio sui morsetti di tipo push-in](#)".
3. Verificare che la connessione a molla *push-in* sia salda.

Sistema di messa a terra TN



1. Inserire il cavo multipolare attraverso il pressacavo contrassegnato come *GRID/GENSET*.

2. Inserire i rispettivi cavi nei morsetti tipo push-in *J82 GRID*, rispettando la polarità. Il connettore neutro deve essere collegato al morsetto *J82 N_{TN}*.
3. Verificare che la connessione a molla *push-in* sia salda.

12. Connessione dell'impianto fotovoltaico

Questi dispositivi sono dotati di due ingressi MPPT per la connessione di due impianti fotovoltaici indipendenti.

Questo capitolo indica i requisiti e spiega la procedura da seguire per connettere il cablaggio degli impianti fotovoltaici nel dispositivo. Leggere attentamente le presenti istruzioni prima di avviare la procedura di connessione.

⚠ ATTENZIONE

Gli impianti fotovoltaici non possono essere messi a terra, quindi i relativi morsetti devono essere isolati dalla messa a terra.

i INFORMAZIONI

L'inverter si avvia solo se l'impedenza di terra dell'impianto fotovoltaico è superiore a 18,3 kOhms.

12.1. Indicazioni di sicurezza per la connessione dell'impianto fotovoltaico

⚠ ATTENZIONE

Prima di effettuare le connessioni assicurarsi che non vi sia tensione nell'inverter. Verificare che le protezioni della rete/generatore, dei carichi critici, del sistema di accumulo e degli impianti fotovoltaici siano aperte.

Non alimentare il dispositivo prima di aver effettuato correttamente tutte le connessioni e di aver chiuso il dispositivo.

Quando si effettuano le connessioni osservare i segni di polarità presenti sul dispositivo.

Ingeteam declina ogni responsabilità per i danni causati da una connessione non corretta.

12.2. Requisiti del cablaggio per la connessione dell'impianto fotovoltaico

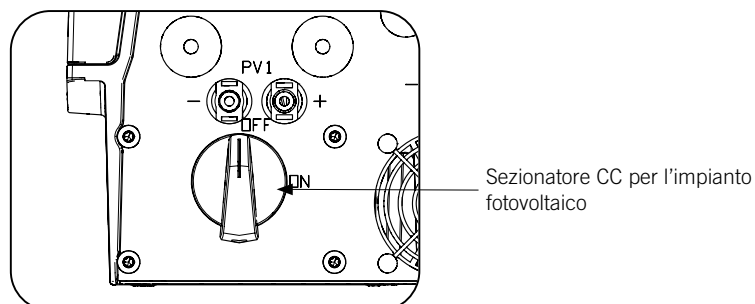
Nella tabella successiva è riportata la sezione dei cavi per la connessione dell'impianto fotovoltaico:

INGECON SUN STORAGE 1Play TL M	
Sezione cablaggio	4 ~ 6 mm ²
Tipo di connettore	MC4

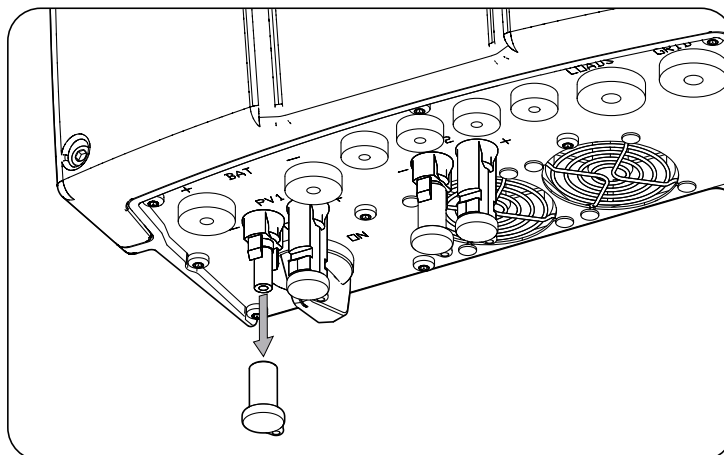
12.3. Procedura di connessione dell'impianto fotovoltaico

Per effettuare la connessione dell'impianto fotovoltaico attenersi alla seguente procedura:

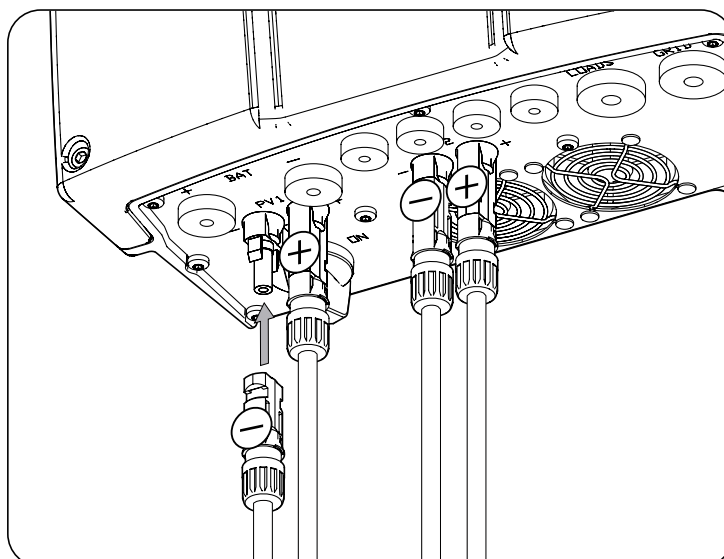
1. Assicurarsi che il sezionatore CC per l'impianto fotovoltaico incorporato nella parte inferiore del dispositivo sia in posizione off.



2. Togliere i tappi dai connettori rapidi.



3. Inserire i connettori rispettando le polarità indicate nella piastra inferiore delle connessioni del dispositivo.



4. Assicurarsi che le connessioni siano salde. Se si desidera rimuovere i connettori per linee aeree, utilizzare l'apposito strumento.

13. Connessione della comunicazione RS-485 per il wattmetro esterno

Negli impianti di autoconsumo, l'uso di un wattmetro esterno nel punto di connessione alla rete di distribuzione permette all'inverter di monitorare tutti i carichi esistenti, sia critici che non critici.

Questo capitolo indica i requisiti e spiega la procedura da seguire per connettere il cablaggio della comunicazione RS-485 per il wattmetro esterno. Leggere attentamente le presenti istruzioni prima di avviare la procedura di connessione.

i INFORMAZIONI

Per maggiori informazioni sui wattmetri compatibili, consultare la "Lista di wattmetri compatibili per INGECON SUN STORAGE 1Play TL M" disponibile sul sito web di Ingeteam. Se il modello di wattmetro richiesto non è presente nell'elenco, contattare Ingeteam. Inoltre, i wattmetri di questo elenco devono essere configurati con un BaudRate di 9600.

13.1. Istruzioni di sicurezza per la connessione della comunicazione RS-485 per il wattmetro esterno

⚠ ATTENZIONE

Prima di effettuare le connessioni assicurarsi che non vi sia tensione nell'inverter. Verificare che le protezioni della rete/generatore, dei carichi critici, del sistema di accumulo e dell'impianto fotovoltaico siano aperte.

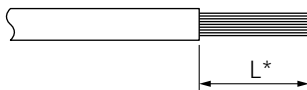
Non alimentare il dispositivo prima di aver effettuato correttamente tutte le connessioni e di aver chiuso il dispositivo.

Quando si effettuano le connessioni rispettare le polarità serigrafate sulla scheda elettronica.

13.2. Requisiti di cablaggio per la connessione della comunicazione RS-485 per il wattmetro esterno

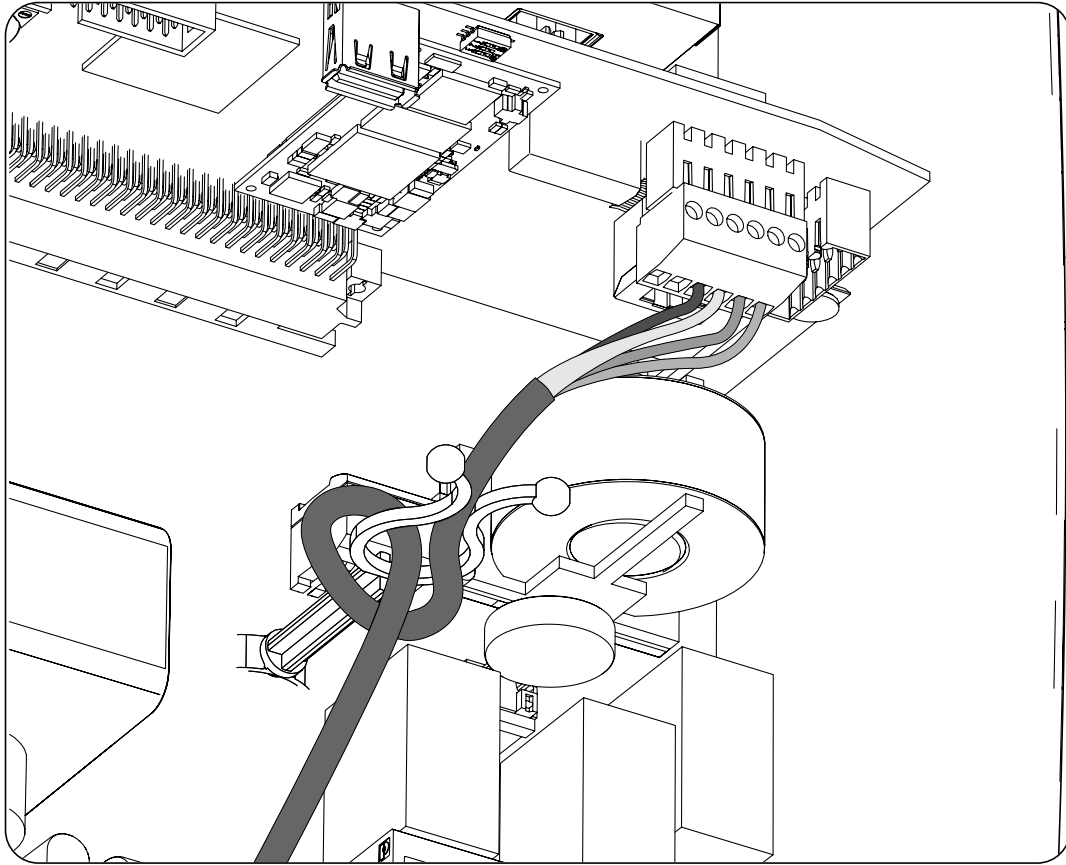
Nella seguente tabella è riportata la sezione dei cavi per la connessione della comunicazione RS-485:

INGECON SUN STORAGE 1Play TL M	
Sezione dei cavi	0,25 mm ² ~ 1,5 mm ²
Diametro del cavo multipolare	5 ~ 9 mm
Lunghezza della parte di cavo da spellare (L*)	8 mm



13.3. Procedura di connessione della comunicazione RS-485 per il wattmetro esterno

Procedere come indicato qui di seguito:



1. Inserire il cablaggio di comunicazione RS-485 attraverso il pressacavo previsto per questo scopo (vedere la sezione ["2.5. Descrizione degli accessi dei cavi"](#)).
2. Connettere il cablaggio al morsetto *J8 WATTMETER* come mostrato nella figura precedente, rispettando le indicazioni serigrafate sulla scheda elettronica (*GND*, *SHIELD*, *A-*, *B+*).
3. Guidare e, se necessario, fissare il cavo nel supporto di plastica.
4. Verificare che la connessione sia stabile.

14. Collegamento della comunicazione CAN per batterie agli ioni di litio

i INFORMAZIONI

Consultare l'elenco delle batterie agli ioni di litio approvate disponibile sul sito web di Ingeteam.

L'installazione della comunicazione CAN permette all'inverter di controllare le batterie agli ioni di litio con BMS (*Battery Management System*).

Questo capitolo spiega i requisiti e la procedura da seguire per connettere il cablaggio della comunicazione CAN per batterie agli ioni di litio con BMS nel dispositivo. Leggere attentamente le presenti istruzioni prima di avviare la procedura di connessione.

14.1. Istruzioni di sicurezza per la connessione della comunicazione CAN per batterie agli ioni di litio

⚠ ATTENZIONE

Prima di effettuare le connessioni assicurarsi che non vi sia tensione nell'inverter. Verificare che le protezioni della rete/generatore, dei carichi critici, del sistema di accumulo e dell'impianto fotovoltaico siano aperte.

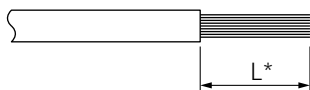
Non alimentare il dispositivo prima di aver effettuato correttamente tutte le connessioni e di aver chiuso il dispositivo.

Quando si effettuano le connessioni rispettare le polarità serigrafate sulla scheda elettronica.

14.2. Requisiti di cablaggio per la connessione della comunicazione CAN per batterie agli ioni di litio

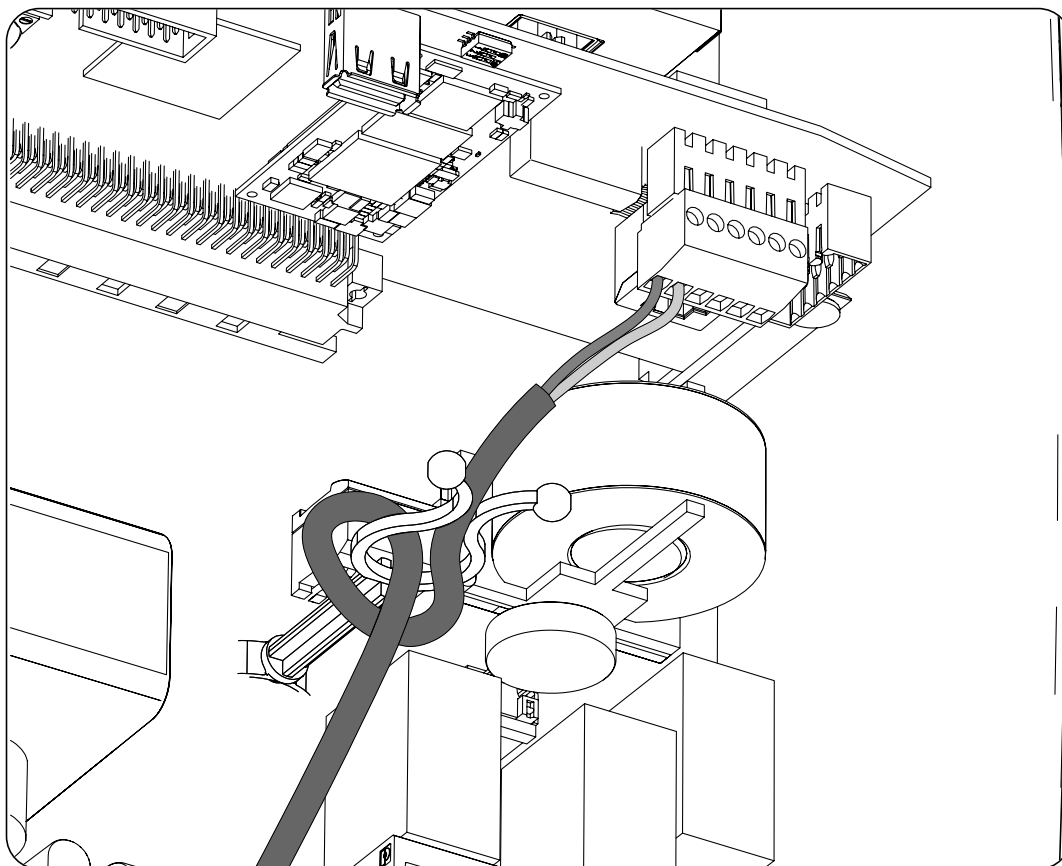
Nella tabella successiva è riportata la sezione dei cavi per la connessione della comunicazione CAN per la gestione del sistema di accumulo:

INGECON SUN STORAGE 1Play TL M	
Sezione dei cavi	0,25 mm ² ~ 1,5 mm ²
Diametro del cavo multipolare	5 ~ 9 mm
Lunghezza della parte di cavo da spellare (L*)	8 mm



14.3. Procedura di connessione della comunicazione CAN per le batterie agli ioni di litio

Per connettere la comunicazione CAN, procedere come indicato di seguito:



1. Inserire il cablaggio di comunicazione CAN attraverso il pressacavo previsto per questo uso (vedere la sezione ["2.5. Descrizione degli accessi dei cavi"](#)).
2. Connettere il cablaggio al morsetto *J8 BMS* come mostrato nella figura precedente, rispettando le indicazioni serigrafate sulla scheda elettronica (CAN_L, CAN_H).
3. Guidare e, se necessario, fissare il cavo nel supporto di plastica.
4. Verificare che la connessione sia stabile.

15. Connessione delle uscite digitali

Questi dispositivi sono dotati di due contatti a potenziale libero. Entrambe le uscite digitali dispongono di un contatto normalmente aperto (NO) da 5 A 250 V CA e di un contatto normalmente chiuso (NC) da 2 A 250 V CA. Possono essere configurati per scopi diversi.

Questo capitolo indica i requisiti e la procedura da seguire per connettere il cablaggio delle uscite digitali nel dispositivo. Leggere attentamente le presenti istruzioni prima di avviare la procedura di connessione.

15.1. Indicazioni di sicurezza per la connessione delle uscite digitali

⚠ ATTENZIONE

Prima di effettuare le connessioni assicurarsi che non vi sia tensione nell'inverter. Verificare che le protezioni della rete/generatore, dei carichi critici, del sistema di accumulo e dell'impianto fotovoltaico siano aperte.

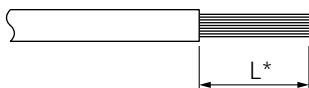
Non alimentare il dispositivo prima di aver effettuato correttamente tutte le connessioni e di aver chiuso il dispositivo.

Quando si effettuano le connessioni rispettare le polarità serigrafate sulla scheda elettronica.

15.2. Requisiti del cablaggio per la connessione delle uscite digitali

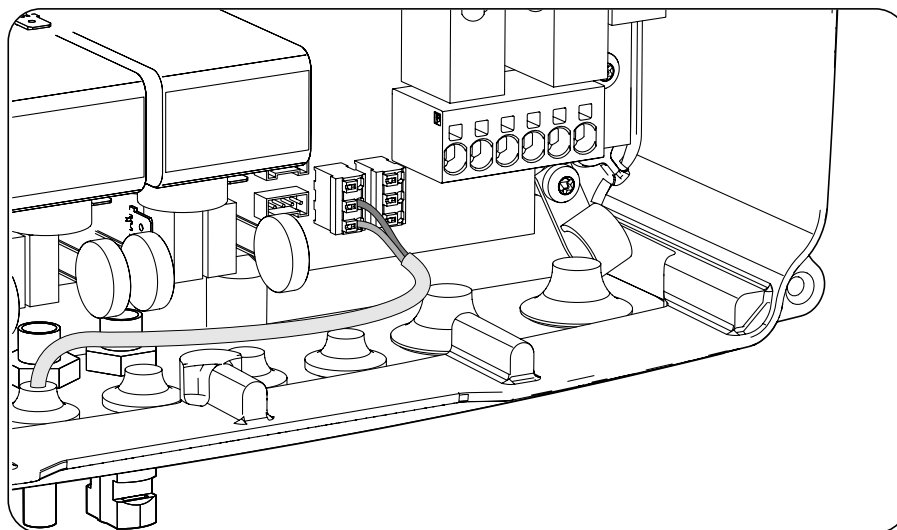
Nella tabella successiva è riportata la sezione dei cavi per la connessione delle uscite digitali:

INGECON SUN STORAGE 1Play TL M	
Sezione dei cavi	0,25 mm ² ~ 1,5 mm ²
Diametro del cavo multipolare	5 ~ 9 mm
Lunghezza della parte di cavo da spellare (L*)	8 mm



15.3. Procedura di connessione delle uscite digitali

Per effettuare la connessione delle uscite digitali, attenersi alle seguenti istruzioni.



Uscita digitale 1	J36 EXT RELAY 1
Uscita digitale 2	J44 EXT RELAY 2

1. Inserire il cablaggio di comunicazione CAN attraverso il pressacavo previsto per questo uso [“2.5. Descrizione degli accessi dei cavi”](#).
2. Se si desidera utilizzare il contatto Normalmente Aperto, connettere il cablaggio alle posizioni NO e COM dei morsetti *J36 EXT.1 RELAY*e/o *J44 EXT.2 RELAY* come mostrato nella figura precedente.
3. Se si desidera utilizzare il contatto Normalmente Chiuso, connettere il cablaggio alle posizioni NC e COM dei morsetti *J36 EXT.1 RELAY*e/o *J44 EXT.2 RELAY* come mostrato nella figura precedente.
4. Verificare che la connessione sia stabile.

16. Connessione degli ingressi digitali

Questi dispositivi sono dotati di un ingresso DRMO necessario per conformarsi allo standard australiano AS4777.2, e di due ingressi digitali configurabili per scopi diversi.

Questo capitolo indica i requisiti e la procedura da seguire per connettere il cablaggio degli ingressi digitali nel dispositivo. Leggere attentamente le presenti istruzioni prima di avviare la procedura di connessione.

16.1. Indicazioni di sicurezza per la connessione dell'ingresso digitale

⚠ ATTENZIONE

Prima di effettuare le connessioni assicurarsi che non vi sia tensione nell'inverter. Verificare che le protezioni della rete/generatore, dei carichi critici, del sistema di accumulo e dell'impianto fotovoltaico siano aperte.

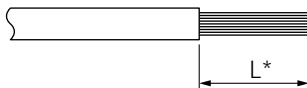
Non alimentare il dispositivo prima di aver effettuato correttamente tutte le connessioni e di aver chiuso il dispositivo.

Quando si effettuano le connessioni rispettare le polarità serigrafate sulla scheda elettronica.

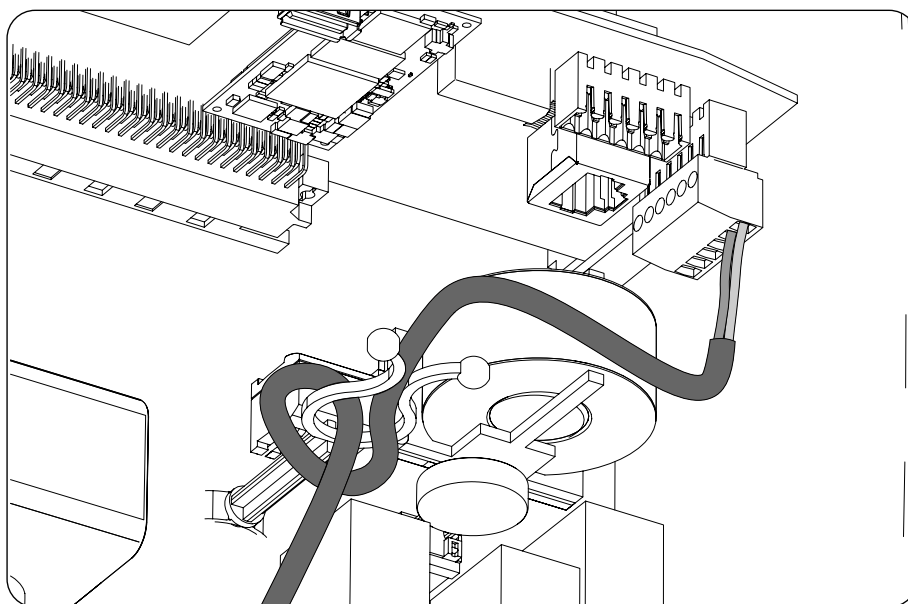
16.2. Requisiti del cablaggio per la connessione dell'ingresso digitale

Nella tabella successiva è riportata la sezione dei cavi per la connessione degli ingressi digitali:

INGECON SUN STORAGE 1Play TL M	
Sezione dei cavi	0,25 mm ² ~ 1,5 mm ²
Diametro del cavo multipolare	5 ~ 9 mm
Lunghezza della parte di cavo da spellare (L*)	8 mm



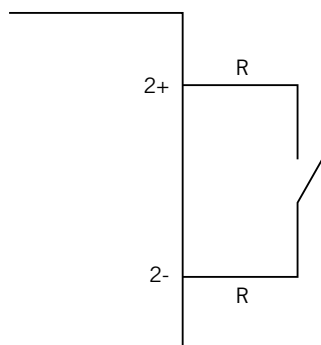
16.3. Procedura di connessione degli ingressi digitali



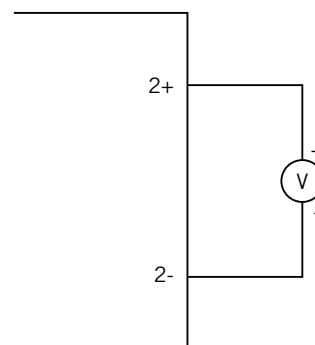
Hardware di tipo B	
Ingresso digitale DRMO	J11 DIGITAL INPUT DRMO
Ingresso digitale 2	J11 DIGITAL INPUT 2
Ingresso digitale 3	J11 DIGITAL INPUT 3

L'ingresso digitale *DRMO* è necessario per ottenere la conformità allo standard australiano AS4777.2, dove un dispositivo esterno denominato *DRED* controlla il dispositivo attraverso questa connessione.

Gli ingressi 2 e 3 possono essere configurati per scopi diversi (vedere [“19.7.13. Configurazione degli ingressi digitali”](#)) e possono essere utilizzati con un contatto a potenziale libero o con una sorgente di tensione, entrambi esterni al dispositivo.



Contatto a potenziale libero esterno



Sorgente di alimentazione esterna

La tabella effettiva per queste voci è la seguente.

Connettore		CPU
Contatto a potenziale libero	Grado di tensione	
Aperto	5 V ~ 24 V	“0”
Chiuso (R <100 Ohm)	0 V	“1”
Chiuso (R >100 Ohm)	1 V ~ 5 V	X

Connettere gli ingressi digitali nel seguente ordine:

1. Inserire il cablaggio attraverso il pressacavo previsto per questo uso (vedere la sezione [“2.5. Descrizione degli accessi dei cavi”](#)).
2. Connettere il cablaggio al morsetto J11 DIGITAL INPUT come mostrato nelle figure precedenti, rispettando le polarità serigrafate sulla scheda elettronica.
3. Guidare e, se necessario, fissare il cavo nel supporto di plastica.
4. Verificare che la connessione sia stabile.

17. Connessione Ethernet TCP

Questi dispositivi dispongono di una comunicazione Wi-Fi ed Ethernet TCP.

Per la comunicazione wireless con l'inverter, all'interno dell'inverter è installata un'antenna Wi-Fi.

Per la comunicazione via cavo è necessario utilizzare un cavo Ethernet TCP.

Questo capitolo spiega la procedura da seguire per connettere la comunicazione Ethernet TCP.

17.1. Istruzioni di sicurezza per la connessione Ethernet TCP

ATTENZIONE

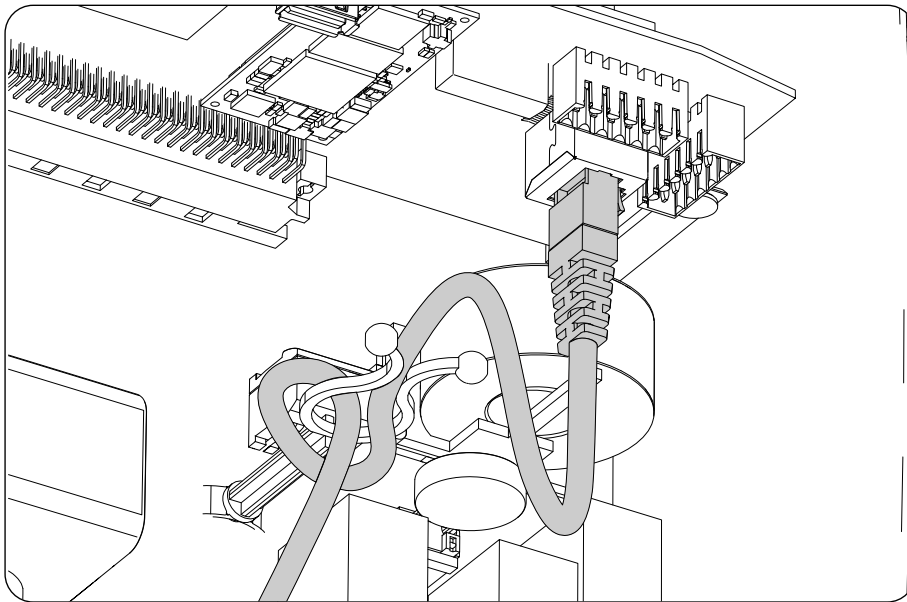
Prima di effettuare le connessioni assicurarsi che non vi sia tensione nell'inverter. Verificare che le protezioni della rete/generatore, dei carichi critici, del sistema di accumulo e dell'impianto fotovoltaico siano aperte.

Non alimentare il dispositivo prima di aver effettuato correttamente tutte le connessioni e di aver chiuso il dispositivo.

17.2. Procedura di connessione Ethernet TCP

Per connettere il cablaggio Ethernet TCP, attenersi alla seguente procedura:

1. Inserire il cavo di comunicazione Ethernet TCP senza il connettore RJ45 attraverso il pressacavo previsto per questo scopo (vedere la sezione ["2.5. Descrizione degli accessi dei cavi"](#)).
2. Crimpare il connettore RJ45 al cavo Ethernet TCP.
3. Connettere il cablaggio Ethernet TCP al connettore *J10*.



4. Guidare e, se necessario, fissare il cavo nel supporto di plastica.
5. Verificare che la connessione sia stabile.

18. Messa in servizio

Questo capitolo spiega la procedura da seguire per la messa in servizio del dispositivo.

18.1. Revisione del dispositivo

Prima della messa in funzione, controllare che l'impianto sia nelle condizioni corrette.

Ogni impianto è diverso, a seconda delle sue caratteristiche, del paese in cui è situato o di altre condizioni particolari applicabili. In ogni caso, prima di procedere con la messa in funzione, è necessario verificare che l'impianto sia conforme alle leggi e alle direttive applicabili, e che sia terminata almeno la parte che deve essere messa in servizio.

18.1.1. Ispezione

Prima della messa in funzione degli inverter, occorre realizzare una revisione generale dei dispositivi, che consiste principalmente in:

Controllo del cablaggio

- Verificare che i cavi siano uniti in modo corretto ai rispettivi connettori situati sulla parte inferiore della carcassa.
- Controllare che i cavi siano in buono stato e che, nell'area in cui si trovano, non vi siano elementi che li possano danneggiare, come fonti di calore intenso, oggetti taglienti che possano mozzarli o assetti che possano comportare un rischio di impatto o strattoni.

Controllo del fissaggio del dispositivo

Verificare che il dispositivo sia fissato correttamente e che non vi sia pericolo di caduta.

18.1.2. Chiusura ermetica del dispositivo

Nelle attività di installazione accertarsi che le operazioni per la connessione del dispositivo non ne abbiano alterato il grado di tenuta.

Controllare che i connettori e i pressacavi siano regolati in modo corretto.

Coperchio

In caso di apertura del coperchio frontale, fissarlo al dispositivo con le quattro viti di cui dispone, seguendo queste indicazioni:

1. Verificare che il coperchio sia allineato correttamente al mobile controllando che i fori del coperchio e del mobile siano concentrici.
2. Lubrificare le viti. In caso di apertura del dispositivo è obbligatorio lubrificare le viti prima di collocarle nuovamente, per evitare il bloccaggio e il grippaggio delle stesse.
3. Inserire a mano le quattro viti nei fori filettati cominciando da quella nell'angolo in alto a destra, proseguire con la vite dell'angolo in basso a sinistra e infine le ultime due.
4. Avvitare le viti fino applicando una coppia di serraggio massima su ognuna pari a 5 Nm mediante uno strumento tarato.
5. Controllare la tenuta.

La garanzia non risponde per i danni causati da una chiusura errata del dispositivo.

18.2. Messa in funzione

ATTENZIONE

È obbligatorio eseguire le operazioni indicate in questo punto con il dispositivo chiuso, evitando in tal modo eventuali contatti con elementi in tensione.

Dopo aver effettuato il controllo visivo generale, la revisione del cablaggio e della chiusura corretta, alimentare il dispositivo dal pacco batteria e/o dall'impianto fotovoltaico.

Assicurarsi che il sezionatore CC per l'impianto fotovoltaico sia in posizione On.

Se dopo alcuni secondi l'inverter non mostra alcuna attività sui LED del quadrante, controllare che siano state rispettate le polarità indicate sulle connessioni delle batterie e/o dell'impianto fotovoltaico.

18.2.1. Prima configurazione del dispositivo

i INFORMAZIONI



Per ulteriori informazioni sull'avvio dell'inverter, visitare il sito web
https://www.ingeconsuntraining.info/?page_id=25439

Per monitorare l'inverter da smartphone o tablet, è necessario installare l'app INGECON SUN Monitor, disponibile su Apple Store e Play Store.









<https://apps.apple.com/br/app/ingecon-sun-monitor/id1434881715>


<https://play.google.com/store/apps/details?id=com.ingeteam.ingecon.sunmonitor>

Grazie all'interfaccia utente basata sul web, l'inverter può essere configurato in modo facile e rapido, sia in sistemi stand-alone che connessi alla rete, utilizzando un PC o uno smartphone.

L'inverter agisce in modo predefinito come punto di accesso Wi-Fi, generando una rete SoftAP con un SSID di tipo *Ingeteam_1GMxxxxxAxx_MMMM*. Per impostazione predefinita, questa rete è protetta con la password *ingeconsun*.

Per stabilire la connessione locale all'inverter e configurarlo, attenersi alle seguenti istruzioni:

Connessione con smartphone o tablet

1. Installare l'applicazione INGECON SUN Monitor.
2. Registrarsi come installatore autorizzato e accedere all'icona  per connettersi all'inverter a livello locale.
3. Per accedere all'applicazione web del dispositivo seguire la procedura indicata.

Connessione al computer

1. Connettersi alla rete Wi-Fi generata dall'inverter.
2. Nel browser web accedere all'applicazione web all'indirizzo <http://169.254.1.1>. È necessario registrarsi come installatore autorizzato.

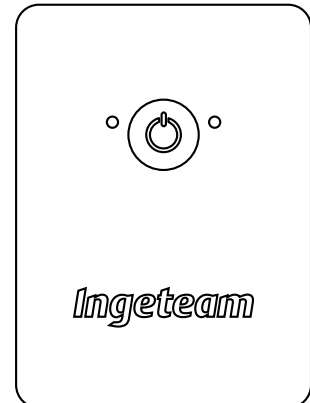
Al momento della prima connessione una procedura guidata mostrerà i passaggi da seguire per realizzare una configurazione ottimale del dispositivo.

19. Utilizzo del dispositivo

Il funzionamento dell'inverter viene gestito mediante il pannello di controllo e/o l'applicazione web.

L'inverter può essere avviato o arrestato usando il pannello di controllo, che consiste in un pulsante e i relativi LED.

La gestione completa si effettua mediante l'applicazione web.



19.1. Pannello di controllo

Il pannello di controllo presenta un pulsante e tre LED:

Pulsante On/Off.

Per l'accensione e lo spegnimento dell'inverter. Tenerlo premuto per più di un secondo.

Questo pulsante è accessibile anche nell'applicazione web.

LED On/Off (verde/rosso)

- Verde, lampeggiante: l'inverter si sta avviando.
- Verde, fisso: l'inverter sta generando tensione ai carichi critici o si sta connettendo alla rete/generatore ausiliario.
- Rosso, fisso: inverter in stato di arresto manuale.
- Spento: l'inverter è disconnesso o senza firmware.

LED informativo sullo stato (arancione)

- Lampeggiante: è presente un avviso attivo nell'inverter.
- Fisso: è presente un allarme attivo nell'inverter o nella batteria.

LED di comunicazione (blu)

- Lampeggiante: l'inverter sta cercando di connettersi a INGECON SUN Monitor.
- Fisso: inverter connesso a INGECON SUN Monitor.
- Spento: inverter non connesso a INGECON SUN Monitor.

19.2. Gestione dell'inverter mediante l'applicazione web

L'applicazione web permette di monitorare e configurare l'inverter, adattandolo a qualsiasi tipo di impianto.

È possibile accedere all'applicazione web da diversi tipi di dispositivi (smartphone, tablet o computer). La gestione dell'inverter dall'applicazione web può essere eseguita in modo locale (inverter e dispositivo connessi alla stessa rete di comunicazione) o in remoto (inverter e dispositivo connessi a reti di comunicazione diverse).

Di seguito viene descritta la procedura di connessione locale o remota all'inverter.

Per la connessione iniziale all'inverter in modalità locale, dove verrà configurato, l'inverter offre due modalità di comunicazione:

- Interfaccia Ethernet in modalità DHCP.
- Interfaccia Wi-Fi in modalità *Access Point*.

19.3. Connessione locale all'inverter mediante la rete Wi-Fi


INFORMAZIONI

La rete di comunicazione Wi-Fi generata dall'inverter ha una frequenza wireless di 2,4 GHz.

Sull'inverter è applicata un'etichetta che indica l'SSID e la password della rete Wi-Fi (*Punto di accesso Wi-Fi locale predefinito*).

L'inverter agisce come un punto di accesso Wi-Fi, generando una rete SoftAP. Per stabilire una connessione locale alla suddetta rete, attenersi alla seguente procedura:

Connessione con smartphone o tablet

1. Installare l'applicazione INGECON SUN Monitor.
2. Registrarsi come installatore autorizzato e accedere all'icona  per connettersi all'inverter a livello locale.
3. Per accedere all'applicazione web del dispositivo seguire la procedura indicata.

Connessione al computer

1. Connettersi alla rete Wi-Fi generata dall'inverter.
2. Nel browser web accedere all'applicazione web all'indirizzo <http://169.254.1.1>. È necessario registrarsi come installatore autorizzato.
3. Effettuare il login utilizzando il nome utente e la password definiti sull'etichetta apposta sull'inverter (*Accesso locale predefinito*).

19.4. Connettere l'inverter a una rete Wi-Fi

INFORMAZIONI

La rete di comunicazione Wi-Fi alla quale si desidera connettere l'inverter deve avere una frequenza wireless di 2,4 GHz.

Secondo Ingeteam per garantire una connessione ottimale, il livello di segnale Wi-Fi minimo ricevuto dall'inverter deve essere superiore al 50% (-75 dBm).

Per connettere l'inverter a una rete Wi-Fi esistente, attenersi alla seguente procedura:

1. Effettuare la connessione locale all'inverter (vedere "[19.3. Connessione locale all'inverter mediante la rete Wi-Fi](#)").
2. Accedere al menu Comms nella parte superiore.
3. Selezionare Wi-Fi nel pannello di sinistra.
4. Premere *CONNECT to Wi-Fi Network*. Verrà quindi mostrato un elenco di reti Wi-Fi disponibili. Selezionare la rete desiderata e inserire la password eventualmente richiesta.

INFORMAZIONI

Se l'identificazione SSID di una rete Wi-Fi non può essere mostrata all'utente, inserire il nome della rete nel campo *Custom SSID*.

19.5. Connessione all'inverter da remoto

Per connettersi all'inverter da remoto, quest'ultimo deve essere connesso a Internet mediante una rete Wi-Fi o Ethernet. Una volta connesso a Internet, attenersi alla seguente procedura:

1. Accedere all'app INGECON SUN Monitor.
2. Creare un impianto con il *Device ID* e la *Password* dell'inverter. Entrambi i dati sono riportati sull'adesivo dell'inverter.

3. Accedere all'impianto per vedere il monitoraggio dell'impianto. Inoltre, si può accedere all'applicazione web del dispositivo.

INFORMAZIONI

Prendere in considerazione i seguenti requisiti:

- L'inverter deve essere connesso a una rete locale con accesso a Internet nelle porte UDP80 (o UDP1194) e TCP8883.
- Il dispositivo da cui si effettua la connessione da remoto deve avere accesso a Internet attraverso le porte TCP80, TCP22 e TCP9001.

Per impostazione predefinita, i router tengono aperte le porte necessarie alla comunicazione remota. Altrimenti richiedere l'apertura delle porte all'amministratore di rete.

Assicurare che il gateway e la maschera di rete siano corretti altrimenti l'inverter non avrà accesso a Internet. Per impostazione predefinita, l'inverter lavora in DHCP, non è quindi necessario configurare questi parametri in una rete con server DHCP.

Se si desidera configurare l'inverter con un IP statico, consultare le proprietà per la configurazione di rete di un computer o altro dispositivo nella stessa rete o inviare una richiesta all'amministratore della rete.

19.6. Monitoraggio dell'inverter

Questi inverter possono essere monitorati dall'applicazione web a livello locale o remoto. In questa applicazione web è disponibile anche una visualizzazione grafica dei dati dell'inverter.

Per consultare tutte le variabili dell'inverter, accedere al menu di monitoraggio.

Grazie all'*Energy Management System (EMS)* integrato nell'inverter, l'impianto può essere monitorato in remoto tramite computer o tablet/smartphone mediante l'applicazione gratuita INGECON SUN Monitor, disponibile su Play Store e App Store.

19.6.1. Monitoraggio mediante Modbus-TCP

Il dispositivo per la gestione dell'energia EMS di questo inverter utilizza il protocollo Modbus-TCP. Inoltre, anche la maggior parte dei sistemi SCADA basati su comunicazione via Ethernet o Wi-Fi utilizza il protocollo Modbus-TCP di serie.

Ingeteam consiglia un solo client connesso alla porta 502 e con un periodo di richiesta Modbus-TCP al dispositivo non inferiore a 1 secondo, richiedendo non più di 10 registri per richiesta. In caso contrario non viene garantita la trasmissione corretta dei dati dell'inverter.

19.7. Configurazione dell'inverter

INFORMAZIONI

Solo gli installatori (personale qualificato) possono accedere al menu di configurazione. Per eseguire questa operazione, è necessario registrarsi come installatore nell'applicazione web.

Ingeteam non si assume alcuna responsabilità per l'uso improprio del nome utente e della password dell'installatore.

Nella relativa applicazione web, questi inverter dispongono di una configurazione di base (procedura guidata) che permette la configurazione di base del dispositivo e il relativo adattamento alle diverse modalità di esercizio. Per avviare manualmente la procedura guidata, andare al menu *Configuration > Setup Wizard > Launch guided wizard*.

Oltre alla procedura guidata, questi dispositivi sono dotati di un menu di configurazione avanzata per gli installatori esperti.

Questo capitolo spiega le funzioni più importanti che possono essere eseguite da questo menu.

19.7.1. Configurazione del tipo di batteria

⚠ ATTENZIONE

La selezione del tipo di batteria nella procedura di configurazione deve essere eseguita con cautela. Ingeteam non offre alcuna garanzia in caso di impostazioni errate del tipo di batteria nell'inverter.

Ad esempio, se nell'inverter viene selezionata una batteria al piombo-acido quando in realtà è agli ioni di litio, può danneggiarsi.

Questi inverter possono lavorare con batterie al piombo-acido e con batterie agli ioni di litio.

Batterie al piombo-acido

Affinché le batterie al piombo-acido funzionino correttamente e per evitare con sicurezza il sovraccarico e la scarica completa, è necessario impostare vari parametri relativi al modello di batteria installato. Per eseguire questa operazione, accedere a *Configuration > Advanced Settings > Lead-Acid Battery Settings*.

⚠ ATTENZIONE

Una configurazione errata di questi parametri può ridurre la durata della batteria. Ingeteam declina qualsiasi responsabilità per eventuali conseguenze dovute a una configurazione errata del dispositivo da parte dell'utente e/o dell'installatore.

Parametro	Descrizione
Nominal Voltage	Tensione nominale del pacco batteria (V).
Minimum Voltage	Tensione minima del pacco batteria per evitare la scarica completa, anche arrestando l'alimentazione alle utenze dalle batterie (V).
Time for Minimum voltage	Durata della tensione minima del pacco batteria. Tempo in cui il pacco batteria deve essere mantenuto alla tensione minima per evitare la scarica completa (secondi).
Capacity (C20h)	Capacità C20 specificata dal produttore della batteria (Ah). Questo parametro è utilizzato per stabilire con precisione lo stato di carica della batteria (SOC).
Capacity (C5h)	Capacità C5 specificata dal produttore della batteria (Ah). Questo parametro è utilizzato per stabilire con precisione lo stato di carica della batteria (SOC).
Maximum Charge Current	Corrente massima di carica del pacco batteria (A).
Maximum Discharge Current	Corrente massima di scarica del pacco batteria (A).
Absorption voltage	Tensione di assorbimento del pacco batteria (V). Permette di effettuare una carica delle batterie a tensione costante.
Flotation voltage	Tensione flottante del pacco batteria (V). Permette di effettuare una carica completa delle batterie.
Equalization voltage	Tensione di equalizzazione del pacco batteria (V). Questo parametro viene utilizzato quando deve essere eseguita la manutenzione delle batterie a elettrolita liquido. Verificare questo parametro con il produttore della batteria (vedere "19.13. Carica di equalizzazione delle batterie").
Duration of Equalization charge	Durata della carica di equalizzazione. Tempo in cui il pacco batteria deve essere mantenuto alla tensione di equalizzazione (minuti).

Per evitare il sovraccarico e la carica incompleta della batteria al piombo-acido, questi inverter permettono di monitorare la temperatura della batteria tramite il Kit opzionale del sensore di temperatura PT-100 (vedere la sezione ["9. Connessione del Kit opzionale del sensore di temperatura PT-100 per batterie al piombo-acido"](#)). Questo kit permette di adattare in qualsiasi momento la tensione di carica alla temperatura corrente della batteria. Per eseguire questa operazione, è necessario installare tale kit e un sensore PT-100, e configurare l'inverter attivando la compensazione automatica della temperatura.

A temperature uguali o superiori a 20 °C, l'inverter riduce la tensione di carica della batteria. A temperature inferiori a 20 °C, l'inverter aumenta la tensione di carica della batteria. Per cambiare la costante di compensazione in mV/°C/Cella e/o attivare la compensazione automatica della temperatura, accedere a *Configuration > Advanced Settings > Lead-Acid Battery Settings*.

Parametro	Descrizione
Mode	Permette di attivare o disattivare la compensazione automatica della temperatura delle batterie al piombo-acido.
Temperature compensation	Temperatura di compensazione di una cella, in -mV/°C/Cella. Vedere la scheda tecnica della batteria. Il valore predefinito è -4 mV/°C/Cella.

Batterie agli ioni di litio

Le batterie agli ioni di litio adatte a funzionare con INGECON SUN STORAGE 1Play hanno una propria gestione avanzata delle batterie, che di solito è programmata dal produttore e integrata nelle batterie (BMS). Ingeteam non può influenzare in alcun modo la modalità di esercizio di questa gestione avanzata esterna delle batterie.

i INFORMAZIONI

Per ulteriori informazioni sulle batterie agli ioni di litio compatibili, consultare la “Lista delle batterie agli ioni di litio approvate per INGECON SUN STORAGE 1Play TL M” disponibile sul sito web di Ingeteam.

Se il modello di batteria non è presente nell’elenco, contattare Ingeteam.

19.7.2. Configurare l’inverter per funzionare solo con l’impianto fotovoltaico, senza batterie

Questi inverter possono funzionare esclusivamente dall’impianto fotovoltaico, senza utilizzare l’ingresso delle batterie. Per eseguire questa operazione:

1. Andare su *Configuration > Advanced Settings > Type of Battery*.
2. Selezionare *No Configuration*.

In questa modalità di esercizio, se la rete è disponibile, l’inverter rimane connesso anche con bassa potenza fotovoltaica. In questo modo si può tenere acceso il dispositivo e quindi monitorare l’impianto in qualsiasi momento.

Per disattivare questa funzionalità, accedere a *Configuration > Advanced Settings > Other Settings > Low PV Power Stop*.

19.7.3. Configurazione della modalità di esercizio e dei relativi parametri

Questi inverter possono essere utilizzati sia in impianti stand-alone che connessi alla rete.

i INFORMAZIONI

Per maggiori informazioni su questo tipo di impianti consultare la “Guida tecnica agli impianti con INGECON SUN STORAGE 1Play TL M” disponibile sul sito di Ingeteam.

La modalità di esercizio varia a seconda del tipo di impianto in cui l’inverter deve essere utilizzato. Per selezionare il tipo di modalità, accedere a *Configuration > Advanced Settings > Operation Mode*.

Parametro	Descrizione
Stand Alone	L’inverter genera una rete alternata stand-alone e agisce come dispositivo di gestione della rete garantendo l’equilibrio tra la generazione fotovoltaica, il consumo e le batterie. Permette la connessione di un generatore ausiliario per caricare le batterie in caso di mancanza di corrente.
UPS	Questa modalità di esercizio è stata ideata per sistemi connessi alla rete di distribuzione caratterizzati da cadute di rete frequenti e prolungate. Durante una caduta di rete, l’energia conservata nelle batterie viene usata per alimentare i carichi. A tal fine, finché la rete è presente, le batterie vengono mantenute cariche e l’energia fotovoltaica viene utilizzata per alimentare le utenze, riducendo il consumo di energia dalla rete. L’immissione in rete dell’energia fotovoltaica in eccesso può essere configurata dall’utente.

Parametro	Descrizione
Self Consumption	L'inverter gestisce i flussi di energia all'interno dell'impianto per ridurre al minimo il consumo dalla rete di distribuzione e aumentare l'autoapprovvigionamento. In questa modalità di esercizio è possibile attivare la funzionalità aggiuntiva <i>Battery-Backup</i> . Con questa funzionalità, in caso di caduta della rete di distribuzione, l'inverter fornisce l'energia necessaria ai carichi critici dalle batterie e dal fotovoltaico. L'immissione in rete dell'energia fotovoltaica in eccesso e la configurazione oraria di carica delle batterie dalla rete possono essere configurate dall'utente.

Una volta selezionata la modalità di esercizio dell'inverter, è necessario configurare i seguenti parametri:

Modalità di esercizio: Isolato	
Parametro	Descrizione
SOC Max	Stato di carica massima per caricare le batterie con l'energia fotovoltaica (%).
SOC Off	Stato di carica massima per caricare le batterie dal generatore. Inoltre, disconnette il generatore se è stato avviato da SOC On (%).
SOC On	Stato di carica minima per avviare il generatore ausiliario (%).
SOC Recx	Stato di carica al di sopra del quale viene riavviata l'alimentazione di energia ai carichi quando proviene da SOC Descx (%).
SOC Descx	Stato di carica al di sotto del quale viene interrotta l'alimentazione ai carichi (%).

Modalità di esercizio: UPS	
Parametro	Descrizione
SOC Max	Stato di carica massima per caricare le batterie con l'energia fotovoltaica (%).
SOC Grid	Stato di carica massima per caricare le batterie dalla rete pubblica (%).
SOC Recx	Stato di carica al di sopra del quale viene riavviata l'alimentazione di energia ai carichi critici quando proviene da SOC Descx (%).
SOC Descx	Stato di carica al di sotto del quale viene interrotta l'alimentazione di energia ai carichi critici quando la rete non è disponibile (%).

Modalità di esercizio: Autoconsumo	
Parametro	Descrizione
SOC Max	Stato di carica massima per caricare le batterie con l'energia fotovoltaica (%).
SOC Recovery	Stato di carica al di sopra del quale viene riavviata la scarica della batteria quando proviene da SOC Min. Si evitano cicli eccessivi della batteria per prolungarne la durata.
SOC Min	Stato di carica al di sotto del quale non è consentito scaricare la batteria quando è disponibile l'alimentazione di rete. Deve essere raggiunto SOC Recovery per riprendere l'autoconsumo con l'alimentazione della batteria.
Battery-Backup	In caso di caduta della rete, i carichi critici vengono alimentati con l'energia necessaria dalle batterie e dal fotovoltaico. Se si attiva questa funzionalità è necessario configurare i parametri SOC Recx e SOC Descx.
SOC Recx	Stato di carica al di sopra del quale viene riavviata l'alimentazione di energia ai carichi critici quando proviene da SOC Descx (%).
SOC Descx	Stato di carica al di sotto del quale viene interrotta l'alimentazione di energia ai carichi critici quando l'alimentazione di rete non è disponibile e la funzione <i>Battery-Backup</i> è attiva (%).

19.7.4. Configurazione della normativa per gli impianti di connessione alla rete

Negli impianti connessi alla rete di distribuzione, questi inverter devono funzionare in conformità alla normativa applicabile a tale impianto.

Per selezionare la normativa applicabile, accedere a *Configuration > Advanced Settings > Grid Settings*.

Dopo aver configurato la normativa, impostare la tensione e la frequenza nominale. Per eseguire questa operazione, accedere a *Configuration > Advanced Settings > AC Installation type*.

Parametro	Descrizione
Nominal Voltage	Tensione nominale della rete CA (V).
Nominal Frequency	Frequenza nominale della rete CA (Hz).

19.7.5. Configurazione del sistema di messa a terra TT/TN

PERICOLO

Prima di procedere alla configurazione dell'impianto di messa a terra, identificare correttamente la connessione del cavo di neutro della rete nel dispositivo (vedere ["11. Connessione della rete/generatore ausiliario"](#)). La connessione del neutro deve essere conforme alla configurazione dell'impianto di messa a terra.

Di serie, questi inverter integrano un relè per la messa a terra del neutro dei carichi critici negli impianti in regime di neutro TT.

Per impostazione predefinita sono configurati con il sistema di messa a terra TT. Significa che quando il dispositivo funziona in modalità stand-alone o off-grid, in modalità UPS e Autoconsumo, l'inverter connette il cavo neutro dei carichi critici alla messa a terra dell'impianto. In questo modo, un guasto a terra nei carichi critici sarà rilevato e protetto dall'interruttore differenziale dell'impianto.

Per gli impianti in regime di neutro TN, è necessario cambiare il sistema di messa a terra dell'inverter in *Configuration > Advanced Settings > AC Installation type > Grounding System*.

Nei sistemi TN, l'inverter mantiene sempre la connessione del cavo di neutro dei carichi critici al neutro della rete di distribuzione, sia in modalità stand-alone che con connessione alla rete.

19.7.6. Configurazione della carica delle batterie dalla rete di distribuzione

Negli impianti connessi alla rete di distribuzione, questi inverter possono essere configurati per caricare le batterie da tale rete. La configurazione varia a seconda del tipo di impianto.

Impianti UPS

Negli impianti UPS, le batterie saranno caricate dalla rete fino al raggiungimento dello stato di carica SOC Grid (vedere la sezione ["19.7.3. Configurazione della modalità di esercizio e dei relativi parametri"](#)). A tal fine, è necessario impostare una potenza massima di carica delle batterie:

1. Accedere a *Configuration > Advanced Settings > Operation Mode > Maximum battery charging power from the Grid*.
2. Inserire la potenza massima in watt. Per non caricare le batterie dalla rete, inserire 0 watt.

Inoltre, è importante definire la potenza contrattata dell'impianto in modo che l'inverter possa ottimizzare la carica della batteria. Per stabilire la potenza contrattata:

1. Andare su *Configuration > Advanced Settings > Grid Settings > Hired Grid Power*.
2. Inserire la potenza contrattata in watt.

Infine, le batterie devono essere caricate alla potenza più bassa tra:

- Potenza massima di carica.
- La differenza tra la Potenza Contrattata e il Consumo dei Carichi Critici.

Impianti di autoconsumo

Negli impianti di Autoconsumo, l'inverter permette la gestione quotidiana della carica delle batterie dalla rete fino al raggiungimento dello stato di carica SOC Grid. A questo scopo è necessario impostare una potenza massima di carica della batteria:

1. Accedere a *Configuration > Advanced Settings > Operation mode > Maximum battery charging power from grid*.
2. Inserire la potenza massima in watt. Per non caricare le batterie dalla rete, inserire 0 watt.

Inoltre, è importante definire la potenza contrattata dell'impianto in modo che l'inverter possa ottimizzare la carica della batteria. Per stabilire la potenza contrattata:

1. Accedere a *Configuration > Advanced Settings > Grid configuration > Power Contracted*.
2. Inserire la potenza contrattata in watt.

Le batterie devono essere caricate alla potenza più bassa tra:

- Potenza massima di carica.
- La differenza tra la Potenza Contrattata e il Consumo dei Carichi Critici.

D'altra parte, viene stabilita una configurazione oraria per caricare la batteria dalla rete. Per attivare la configurazione oraria, accedere a *Configuration > Advanced Settings > Self-consumption Settings > Scheduling for Charge Battery from Grid* quindi definire i seguenti parametri:

Parametro	Descrizione
Mode	Permette di attivare o disattivare la configurazione oraria di carica delle batterie.
SOC Grid (%)	Stato di carica massima per caricare le batterie dalla rete pubblica (%).
Hour On	In una configurazione oraria del tipo hh:mm, stabilisce l'ora di inizio (hh) della fascia oraria in cui è consentita la carica delle batterie.
Minute On	In una configurazione oraria del tipo hh:mm, stabilisce il minuto di inizio (mm) della fascia oraria in cui è consentita la carica delle batterie.
Hour Off	In una configurazione oraria del tipo hh:mm, stabilisce l'ora di termine (hh) della fascia oraria in cui è consentita la carica delle batterie.
Minute Off	In una configurazione oraria del tipo hh:mm, stabilisce il minuto di termine (mm) della fascia oraria in cui è consentita la carica delle batterie.

19.7.7. Configurazione della potenza massima di immissione dell'energia fotovoltaica in eccesso nella rete di distribuzione

Negli impianti connessi alla rete, questi inverter possono essere configurati per immettere la potenza fotovoltaica in eccesso nella rete di distribuzione. In questo modo si può vendere l'energia fotovoltaica in eccesso in maniera facile e automatica.

Per stabilire la potenza fotovoltaica massima da immettere nella rete:

1. Andare su *Configuration > Advanced Settings > Operation Mode > Maximum surplus PV power injected into the Grid*.
2. Inserire la potenza massima in watt. Per non immettere la potenza fotovoltaica in eccesso in rete, inserire 0 watt.

L'inverter utilizza l'energia fotovoltaica in modo prioritario per alimentare le utenze e caricare la batteria. Nel caso di un'eccedenza di energia fotovoltaica, l'utente può decidere se immetterla nella rete di distribuzione o limitare la produzione fotovoltaica per mezzo di questo parametro.

19.7.8. Configurazione della funzione Battery-Backup negli impianti di autoconsumo

Negli impianti di autoconsumo, questi inverter permettono la funzionalità Battery-Backup. In caso di guasto alla rete di distribuzione, questi inverter separano internamente l'impianto dalla rete di distribuzione e forniscono l'energia necessaria alle utenze dalle batterie e dall'impianto fotovoltaico. A tal fine, le utenze devono essere connesse all'inverter all'uscita dei carichi critici (vedere ["10. Connessione dei carichi critici"](#)).

Per impostazione predefinita, questa funzionalità è disabilitata. Per attivarla, accedere a *Configuration > Advanced Settings > Operation Mode > Self Consumption Settings > Battery-Backup Function*.

Il tempo di risposta del sistema nel caso di caduta della rete è impercettibile per la maggior parte delle utenze.

Solo nei sistemi di messa a terra TT l'inverter, tramite il relè interno, conatterà automaticamente il neutro dei carichi critici a terra in caso di caduta della rete.

INFORMAZIONI

Per maggiori informazioni su questo tipo di impianti consultare la "Guida tecnica agli impianti con INGECON SUN STORAGE 1Play TL M" disponibile sul sito di Ingeteam.

Se l'uscita dei carichi critici dell'inverter non viene utilizzata, è consigliabile disattivare la funzione Battery-Backup. In questo modo, in caso di guasto della rete di distribuzione, il dispositivo rimarrà fermo per evitare di scaricare la batteria.

19.7.9. Configurazione del generatore ausiliario negli impianti stand-alone

Negli impianti stand-alone, questi inverter possono funzionare con un generatore ausiliario di back-up che si connette in caso di mancanza di energia e/o per caricare la batteria.

Per configurare i parametri del generatore, accedere a *Configuration > Advanced Settings > Generator Settings* quindi inserire i parametri del generatore.

Parametro	Descrizione
Nominal Apparent Power	Potenza apparente nominale del generatore diesel (VA). Con questo parametro l'inverter stima la potenza disponibile per caricare le batterie tenendo conto del consumo dell'impianto dal generatore.
Minimum AC Voltage	Tensione CA minima generata dal generatore diesel (V).
Maximum AC Voltage	Tensione CA massima generata dal generatore diesel (V).
Minimum AC Frequency	Frequenza minima generata dal generatore diesel (Hz).
Maximum AC Frequency	Frequenza massima generata dal generatore diesel (Hz).
Vac/Fac Time	Tempo di permanenza fuori gamma Vac e Fac per disconnettere il generatore (ms).

L'avvio automatico del generatore può essere comandato da un'uscita digitale dell'inverter. A tal fine, l'uscita digitale deve essere configurata come *Start/Stop Generator* (vedere ["19.7.12. Configurazione delle uscite digitali"](#)). Sono disponibili le seguenti opzioni per l'avvio del generatore ausiliario tramite l'inverter:

Opzione	Descrizione
Stato di carica della batteria (SOC)	Permette di accendere il generatore quando lo stato di carica raggiunge il parametro SOC On o quando la tensione della batteria è inferiore al valore minimo. Il generatore si spegne quando lo stato di carica raggiunge il parametro SOC Off e quando la tensione della batteria supera il valore nominale. Questa opzione si attiva sempre per impostazione predefinita e non può essere disattivata.
Configurazione oraria	Attivando questa funzionalità, il generatore si accende o si spegne ogni giorno entro un intervallo di ore prestabilito.
Sovraccarico nella rete di consumo	Attivando questa funzionalità, il generatore si accende o si spegne in base alla potenza consumata dai carichi per un periodo determinato.
Manualmente	Permette di accendere/spegnere il generatore in maniera manuale e immediata. Il generatore rimane acceso fino al comando di disconnessione in questo stesso modo.
Sovraccarico della batteria	Permette di accendere il generatore dopo aver stabilito un sovraccarico della batteria. La batteria è considerata sovraccarica quando la relativa corrente di scarica massima viene superata due volte di seguito. Il generatore si spegne quando lo stato di carica raggiunge il parametro SOC Off. Questa opzione si attiva sempre per impostazione predefinita e non può essere disattivata.
Bassa tensione CA nella rete di consumo	Permette di accendere il generatore una volta stabilito che l'inverter non è in grado di generare una tensione CA ottimale all'uscita dei carichi (vedere il parametro <i>Vac L1 Limit</i> su "19.7.11. Configurare la protezione da sovraccarico e cortocircuito sull'uscita dei carichi critici"). Il generatore si spegne quando lo stato di carica raggiunge il parametro SOC Off. Questa opzione si attiva sempre per impostazione predefinita e non può essere disattivata.

19.7.10. Configurazione della carica delle batterie dal generatore

Per caricare le batterie dal generatore ausiliario è necessario impostare una potenza massima di carica delle batterie. Per configurare questo parametro:

- Andare su *Configuration > Advanced Settings > Operation Mode > Maximum battery charging power from the Grid*.
- Inserire la potenza massima in watt. Per non caricare le batterie dal generatore, inserire 0 watt.

In questo modo, se l'inverter è connesso al generatore, le batterie si caricheranno fino a raggiungere lo stato di carica SOC Off e fino a superare il valore nominale della tensione della batteria.

La potenza di carica delle batterie deve essere la più bassa tra:

- Potenza massima di carica.
- Differenza tra la potenza nominale del generatore e i consumi.

19.7.11. Configurare la protezione da sovraccarico e cortocircuito sull'uscita dei carichi critici

Negli impianti stand-alone e connessi alla rete di distribuzione con la funzione Battery-Backup attivata, questi dispositivi proteggono l'uscita dei carichi critici da sovraccarichi e cortocircuiti.

A tal fine, i seguenti parametri devono essere definiti in *Configuration > Advanced Settings > Critical Loads Settings*.

Parametro	Descrizione
Vac L1 Limit	Limite minimo di tensione CA generato dall'inverter ($\%V_{nom} \cdot 10$). Al di sotto di questo limite si considera una tensione CA anormale per i carichi critici.
Vac L1 Time	Periodo in cui la tensione CA generata dall'inverter deve essere mantenuta al di sotto del limite Vac L1 per disconnettere i carichi critici (ms).
Over-Load in Critical Loads	Consente di disconnettere i carichi critici se è stato rilevato un sovraccarico CA per 3 volte consecutive (vedere Potenza 30 min., 2 min., 3 s in "2.4. Caratteristiche"). Per impostazione predefinita, l'inverter rimane fermo fino all'eliminazione del sovraccarico. Una volta rimosso, sarà necessario resettare l'inverter.
Short-Circuit in Critical Loads	Consente di disconnettere i carichi critici se è stato rilevato un cortocircuito CA per 3 volte consecutive. Per impostazione predefinita, l'inverter rimane fermo fino all'eliminazione del guasto. Una volta rimosso, sarà necessario resettare l'inverter.

19.7.12. Configurazione delle uscite digitali

Questi inverter sono dotati di diverse uscite a potenziale libero che possono avere le seguenti funzionalità:

Opzione	Descrizione	Stato del contatto a potenziale libero normalmente aperto (NO)
No Configuration	Nessuna operazione assegnata (opzione predefinita)	APERTO
Start/Stop Generator	Segnale di attivazione del generatore ausiliario	Spegnere il generatore: APERTO Accendere il generatore: CHIUSO
On/Off by Communication	Controllo dell'uscita digitale attraverso le comunicazioni.	Spento: APERTO Acceso: CHIUSO
On-grid	Segnale che indica che l'inverter è collegato alla rete o al generatore ausiliario.	Scollegato: APERTO Collegato: CHIUSO

Per configurare le uscite digitali, accedere a *Configuration > Advanced Settings > Digital Output/Input*.

19.7.13. Configurazione degli ingressi digitali

Questi inverter sono dotati di un ingresso DRMO per il mercato australiano e di due ingressi digitali che possono avere le seguenti funzionalità:

Opzione	Descrizione	Stato del contatto a potenziale libero / Livello di tensione
No Configuration	Nessuna operazione assegnata (opzione predefinita)	APERTO / Livello alto
Start/Stop Inverter	Avvia o arresta l'inverter	Avvio: APERTO / Livello alto Arresto: CHIUSO / Livello basso
Connessione al generatore	Per connettere l'inverter alla rete o al generatore ausiliario.	Non connettere: APERTO / Alto livello Connettere: CHIUSO / Livello basso
Non Scaricare la Batteria	Funzione di prevenzione della scarica della batteria tramite ingresso digitale.	Non consente la scarica: Cortocircuito / Basso livello Consente la scarica: Aperto / Alto livello

Per attivare la funzionalità dell'ingresso DRMO, tenere in considerazione che deve essere configurata solo per l'uso con il dispositivo DRED, che è richiesto dalla normativa AS4777 (Australia).

Se si configura senza la connessione del dispositivo DRED esterno, l'inverter rimane in arresto.

Per configurare gli ingressi digitali, accedere a *Configuration > Advanced Settings > Digital Output/Input*.

19.7.14. Configurazione di un orario di scarica delle batterie

Questi inverter possono essere configurati per scaricare le batterie a un orario prestabilito. Durante l'orario di scarica è possibile caricare la batteria dai pannelli fotovoltaici per sfruttare al massimo la generazione solare. Inoltre, quando le batterie non sono in uso, il sistema trarrà energia dai pannelli fotovoltaici e il resto dalla rete pubblica.

Per attivare l'orario di scarica, accedere a *Configuration > Advanced Settings > Self-consumption Settings > Scheduling for Battery discharge* e definire i seguenti parametri:

Opzione	Descrizione
Mode	Permette di attivare o disattivare la configurazione oraria di scarica delle batterie.
Hour On	In una configurazione oraria del tipo hh:mm, stabilisce l'ora di inizio (hh) della fascia oraria in cui è consentita la carica delle batterie.
Minute On	In una configurazione oraria del tipo hh:mm, stabilisce il minuto di inizio (mm) della fascia oraria in cui è consentita la carica delle batterie.
Hour Off	In una configurazione oraria del tipo hh:mm, stabilisce l'ora di termine (hh) della fascia oraria in cui è consentita la carica delle batterie.
Minute Off	In una configurazione oraria del tipo hh:mm, stabilisce il minuto di termine (mm) della fascia oraria in cui è consentita la carica delle batterie.

Le batterie si scaricheranno fino a raggiungere il valore *SOC_{min}* configurato.

19.7.15. Configurazione delle modalità per fornire servizi di qualità alla rete

Questi inverter possono contribuire a mantenere la qualità energetica nel punto di connessione o a sostenere una rete. Le modalità di risposta in tensione hanno lo scopo di variare la potenza di uscita dell'inverter in funzione della tensione nei morsetti.

Le modalità per fornire un servizio di qualità alla rete sono le seguenti:

- Algoritmo Pac vs Fac
- Algoritmo Pac vs Vac
- Algoritmo Qac vs Vac

Per ulteriori informazioni, fare riferimento a *Descrizione e configurazione della Guida dei parametri di esercizio* che descrivono come impostare i parametri degli algoritmi e regolarli, se necessario. Per scaricare la guida, contattate l'Assistenza tecnica.

19.8. Uso del wattmetro interno all'inverter o di un wattmetro esterno

Questi dispositivi possono essere utilizzati in diversi tipi di impianti con diversi tipi di carichi (critici e/o non critici). A seconda del tipo di carichi presenti nell'impianto, viene utilizzato il wattmetro interno dell'inverter o un wattmetro esterno.

L'uso del wattmetro interno dell'inverter permette solo la gestione dei carichi connessi all'uscita dei carichi critici del dispositivo. Vale dire, solo la gestione dei carichi critici.

L'uso di un wattmetro esterno permette di gestire sia i carichi critici connessi all'inverter che quelli non critici connessi alla rete di distribuzione.

i INFORMAZIONI

Per maggiori informazioni sui wattmetri esterni compatibili, consultare la “Lista di wattmetri compatibili per INGECON SUN STORAGE 1Play TL M” disponibile sul sito web di Ingeteam. Se il modello di wattmetro non è presente nell’elenco, contattare Ingeteam. Inoltre, i wattmetri di questo elenco devono essere configurati con un BaudRate di 9600.

Impianti stand-alone

Negli impianti stand-alone si usa il wattmetro interno del dispositivo. Tutti i carichi gestiti sono connessi all’uscita dei carichi critici dell’inverter.

Impianti UPS

Negli impianti UPS si utilizza il wattmetro interno del dispositivo. I carichi gestiti sono connessi all’uscita dei carichi critici dell’inverter. I carichi non critici connessi sul lato rete non saranno gestiti dall’inverter.

Impianti di autoconsumo

Negli impianti di autoconsumo, normalmente si utilizza un wattmetro esterno nel punto di connessione alla rete. In questo modo l’inverter può gestire tutti i carichi esistenti nell’impianto, sia critici che non critici.

Il wattmetro interno del dispositivo può essere utilizzato solo se tutti i carichi sono connessi all’uscita dei carichi critici dell’inverter.

19.9. Aggiornamento del firmware dell’inverter

Il modo più semplice per aggiornare il firmware dell’inverter è tramite l’applicazione web con una connessione Internet.

Se non è disponibile una connessione Internet, si può eseguire l’aggiornamento anche tramite l’applicazione web stessa o dalla porta USB del computer.

Aggiornamento tramite l’applicazione web, con connessione Internet**i INFORMAZIONI**

Per eseguire questa procedura, l’inverter deve essere connesso a Internet tramite una rete Wi-Fi o via Ethernet.

1. Accedere all’applicazione web tramite il browser del dispositivo (vedere [“19.5. Connessione all’inverter da remoto”](#)).
2. Entrare nel menu *Update*. Nel caso ci siano aggiornamenti disponibili essi vengono elencati.
3. Installare l’aggiornamento.

Aggiornamento tramite l’applicazione web, senza connessione Internet**i INFORMAZIONI**

Per realizzare questa procedura, il file del firmware ABH1007 deve essere stato precedentemente scaricato dal sito web di Ingeteam.

1. Accedere all’applicazione web tramite il browser del dispositivo (vedere [“19.3. Connessione locale all’inverter mediante la rete Wi-Fi”](#)).
2. Entrare nel menu *Update*.
3. Selezionare il file del firmware precedentemente scaricato.
4. Installare l’aggiornamento.

Aggiornamento tramite la porta USB**⚠ ATTENZIONE**

Questa procedura può essere eseguita solo da un installatore autorizzato.

ATTENZIONE

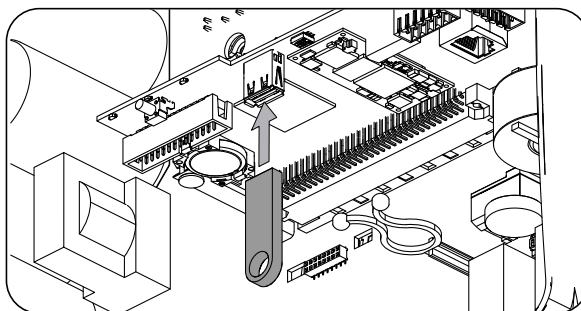
Prima di iniziare la procedura di aggiornamento del firmware tramite la porta USB, assicurarsi che non vi sia tensione nell'inverter. Verificare che le protezioni della rete/generatore, dei carichi critici, del sistema di accumulo e dell'impianto fotovoltaico siano aperte.

Non alimentare il dispositivo prima di aver chiuso il coperchio.

INFORMAZIONI

Per realizzare questa procedura, il file del firmware ABH1007 deve essere stato precedentemente scaricato dal sito web di Ingeteam.

1. Spegnerne il dispositivo come descritto nella sezione *"21.1. Procedura di disconnessione del dispositivo"*.
2. Aprire il coperchio del dispositivo.
3. Connettere il dispositivo USB, che deve contenere solo il file del firmware scaricato in precedenza.



4. Chiudere il coperchio del dispositivo.
5. Alimentare il dispositivo dal pacco batteria e/o dall'impianto fotovoltaico.
6. L'aggiornamento si avvia automaticamente. Il LED blu lampeggia rapidamente durante la procedura di aggiornamento.
7. Una volta terminato l'aggiornamento (il LED blu smette di lampeggiare rapidamente), spegnere nuovamente il dispositivo disconnettendo tutte le alimentazioni CC e CA.
8. Aprire il coperchio del dispositivo e disconnettere il dispositivo USB.
9. Chiudere il coperchio e avviare il dispositivo.

19.10. Ripristino della configurazione dell'inverter alle impostazioni di fabbrica

INFORMAZIONI

Il ripristino può essere effettuato soltanto da un installatore autorizzato.

Questo ripristino alle impostazioni di fabbrica riguarda solo la configurazione dell'inverter, quindi le impostazioni di comunicazione Wi-Fi o Ethernet non vengono ripristinate con questa procedura.

Per ripristinare la configurazione dell'inverter alle impostazioni di fabbrica, attenersi alla seguente procedura:

1. Accedere all'applicazione web tramite il browser del dispositivo.
2. Entrare nel menu Configurazione.
3. Cliccare su *Restore to factory settings* per riportare la configurazione dell'inverter alle impostazioni di fabbrica.

Seguire la procedura guidata per avviare l'inverter.

19.11. Motivi per la limitazione di potenza dell'inverter

A volte l'inverter può ridurre l'uscita di potenza CA a causa di vari motivi. Nel caso in cui il dispositivo sia connesso a una rete o a un generatore ausiliario e ci sia una riduzione di potenza, nel monitoraggio dell'inverter verrà indicato il motivo più restrittivo della limitazione.

Di seguito vengono spiegati i diversi motivi della limitazione di potenza.

Motivi della limitazione di potenza		
Motivo	Codice inviato dalle comunicazioni	Descrizione
Battery Power Limited	9	Batterie. Limitazione in base allo stato di carica o alla configurazione del sistema di accumulo.
Self Consumption	11	Modalità Autoconsumo. Limitazione dovuta al funzionamento in modalità autoconsumo.
AC Grid Power Limited	10	Potenza disponibile. Limitazione di carica delle batterie dalla rete/generatore a causa della potenza disponibile. Questa potenza viene calcolata con la potenza nominale nel caso del generatore o con la potenza contratta nel caso della rete meno la potenza consumata dai carichi.
Pac vs Fac Algorithm	4	Frequenza di rete. Limitazione dovuta alla variazione della frequenza di rete. Applicabile secondo la normativa scelta.
Soft Start	5	Rampa di connessione iniziale. Limitazione dopo la riconnessione alla rete. Applicabile secondo la normativa scelta.
High Bus Voltage Protection	12	Bus CC. Limitazione dovuta all'alta tensione del bus CC interno.
LVRT or HVRT Process	13	Variazioni di rete. Limitazione dovuta a variazioni della tensione di rete. Applicabile secondo la normativa scelta.
Charge Power Configured	6	Configurazione. Limitazione di carica delle batterie dalla rete/generatore, definita attraverso la configurazione dell'utente.
Grid Consumption Protection	15	Consumo di rete. Limitazione dovuta al consumo di potenza dalla rete nei casi di funzionamento senza batterie (solo impianto fotovoltaico) o quando le batterie non possono assorbire energia.
PV Surplus Injected to the Grid	16	Energia fotovoltaica in eccesso. Limitazione dell'immissione dell'energia fotovoltaica in eccesso nella rete a causa della configurazione.
Nominal AC Current	14	Potenza apparente. Limitazione dovuta alla potenza apparente nominale del dispositivo.
PV Surplus Injected to the Loads	7	Limitazione dell'immissione dell'energia fotovoltaica in eccesso ai carichi a causa del funzionamento della modalità UPS o stand-alone.
Temperature	2, 3	Temperatura. Limitazione dovuta a una temperatura elevata nel dispositivo.
Pac vs Vac Algorithm	8	Tensione di rete. Limitazione dovuta alla variazione della tensione di rete. Applicabile secondo la normativa scelta.
Communication	1	Limitazione causata dall'invio del setpoint attraverso le comunicazioni.

19.12. Carica automatica di emergenza della batteria

La carica di emergenza deve essere effettuata quando l'impianto è fermo a causa della scarica totale delle batterie.

Questa funzionalità permette di caricare le batterie fino a un certo livello e di avere abbastanza energia per ripristinare nuovamente il sistema.

Per poter eseguire una carica di emergenza del dispositivo, le batterie devono trovarsi in uno dei seguenti stati:

- Basso livello di carica, $SOC \leq SOC_{descx}$. (Code3 "Low Battery SOC Descx").
- Bassa tensione, $V_{bat} \leq V_{min}$. (Code2 "Low Battery Vmin").
- Nelle batterie agli ioni di litio, quando una carica forzata è richiesta dal BMS perché la batteria è completamente scarica.

Questi inverter possono caricare le batterie da varie fonti di alimentazione. A seconda della fonte di alimentazione disponibile, la carica di emergenza verrà attivata automaticamente dall'inverter.

Fonte di alimentazione disponibile	Descrizione
Ingresso fotovoltaico di INGECON SUN STORAGE 1Play TL M	L'inverter rileva l'impianto fotovoltaico e inizia automaticamente a caricare le batterie. Lo stato dell'inverter indicherà <i>Emergency Charge from PV</i> . L'impianto si ripristina quando le batterie raggiungono lo stato di carica SOCrecx configurato (vedere "19.7.3. Configurazione della modalità di esercizio e dei relativi parametri").
Rete o generatore ausiliario	L'inverter rileva la tensione e la frequenza all'ingresso della rete CA e si connette automaticamente. Lo stato dell'inverter indicherà <i>Emergency Charge from Grid</i> . L'impianto si ripristina immediatamente e inizia a caricare le batterie dall'ingresso della rete CA. Anche se non è consentito caricare le batterie dalla rete (vedere "19.7.6. Configurazione della carica delle batterie dalla rete di distribuzione"), durante la carica di emergenza l'inverter carica le batterie con almeno 400 W dalla rete di distribuzione.

19.13. Carica di equalizzazione delle batterie

Per le batterie al piombo-acido con elettrolita liquido, il produttore raccomanda di eseguire una carica di equalizzazione a intervalli regolari.

Durante la carica di equalizzazione, l'inverter livella lo stato di carica delle celle e compensa la stratificazione dell'elettrolito. In questo modo previene la rottura prematura delle singole celle e prolunga la durata della batteria. Questa procedura porta alla formazione di gas, quindi è necessaria una ventilazione corretta delle batterie.

Prima di eseguire la carica di equalizzazione manuale, rivolgersi al produttore delle batterie per ottenere i parametri della tensione di carica e del tempo di carica.

ATTENZIONE

Una configurazione errata di questi parametri può ridurre la durata della batteria. Ingeteam declina qualsiasi responsabilità per eventuali conseguenze dovute a una configurazione errata del dispositivo da parte dell'utente e/o dell'installatore.

Per configurare i parametri nel dispositivo, accedere a *Configuration > Advanced Settings > Lead-Acid Battery Settings*.

Parametro	Spiegazione
Equalization Voltage	Tensione di carica di equalizzazione del pacco batteria, specificata dal produttore delle batterie (V).
Duration of Equalization charge	Durata della carica di equalizzazione del pacco batteria, specificata dal produttore delle batterie (minuti).

La carica di equalizzazione deve essere attivata manualmente a display. Per eseguire questa operazione, accedere a *Configuration > Commands > Start Equalization Charge*.

La procedura della carica di equalizzazione termina automaticamente una volta trascorso il tempo configurato. Per interrompere la procedura prima del termine del tempo configurato, deve essere fermata manualmente in *Configuration > Commands > Stop Equalization Charge*.

19.14. Test ventilatore

Per un certo periodo è necessario controllare il funzionamento corretto dei ventilatori esterni e interni del dispositivo. Per questo esiste la possibilità di eseguire un test ventilatore.

Per eseguire il test ventilatore, accedere a *Maintenance > Fan Test*. I ventilatori del dispositivo iniziano girare per circa 15 secondi, trascorsi i quali il test si disattiva automaticamente. Se uno o più ventilatori non girano, comparirà il risultato del test:

- Code1 0x0008 "guasto del ventilatore interno".
- Code1 0x0010 "guasto del ventilatore esterno".

Se tutti i ventilatori girano correttamente il risultato del test sarà positivo.

i INFORMAZIONI

Il test ventilatore verifica solamente se i ventilatori girano correttamente, pertanto il risultato positivo del test non garantisce il corretto stato di tutto il sistema di ventilazione. Per verificare il corretto funzionamento dell'intero sistema di ventilazione è necessario verificare, a parte, che non ci siano elementi che ostacolano il passaggio dell'aria e che i ventilatori siano installati correttamente.

19.15. Calibrazione delle batterie agli ioni di litio

⚠ ATTENZIONE

Una configurazione errata di questi parametri può ridurre la durata della batteria. Ingeteam declina qualsiasi responsabilità per eventuali conseguenze dovute a una configurazione errata del dispositivo da parte dell'utente e/o dell'installatore.

Ingeteam consiglia di eseguire periodicamente una calibrazione delle batterie al litio-ion.

L'obiettivo è quello di livellare lo stato di carica di tutte le celle (SOC) prevenendo la rottura prematura delle singole celle, prolungando così la durata della batteria.

Questa procedura è composta da due parti:

1. Procedura di carica completa della batteria. Lo stato della batteria indicherà *Calibration - Charging*.
2. Procedura di scarica della batteria. Lo stato della batteria indicherà *Calibration - Discharging*.

Durante la procedura di calibrazione, i parametri configurati nella sezione [“19.7.3. Configurazione della modalità di esercizio e dei relativi parametri”](#) non verranno applicati. Inoltre, anche se non è consentito caricare le batterie dalla rete (vedere [“19.7.6. Configurazione della carica delle batterie dalla rete di distribuzione”](#)), se richiesto dalla calibrazione, l'inverter carica le batterie con almeno 400 W dalla rete di distribuzione.

La procedura di calibrazione termina automaticamente quando il BMS stabilisce che tutte le celle hanno lo stesso stato di carica (SOC).

Per impostazione predefinita, la procedura di calibrazione è attivata. Per disattivare la calibrazione della batteria, accedere a *Configuration > Advanced Settings > Other Settings > Lithium-ion Battery Calibration Process*.

19.16. Utilizzo di INGECON SUN 1Play in sistemi stand-alone

Per gli impianti stand-alone è possibile combinare gli inverter batterie INGECON SUN STORAGE 1Play TL M con gli inverter fotovoltaici Ingeteam, come l'INGECON SUN 1Play TL M. A tal fine, è necessario configurare la normativa *INGECON_SUN_STORAGE* nell'inverter fotovoltaico. Per ulteriori informazioni, consultare la guida tecnica per gli impianti con INGECON SUN STORAGE 1Play TL M.

19.17. Visualizzazione della curva fotovoltaica

i INFORMAZIONI

Per eseguire la curva, l'inverter deve essere connesso alla rete pubblica.

Eseguire la curva con condizioni di irraggiamento stabili. È consigliabile eseguirla due o tre volte di seguito per verificare la corrispondenza della forma della curva, confermando così che le condizioni sono stabili.

Questi inverter consentono di tracciare un grafico con la curva PV in un dato momento.

Per ottenere la curva PV, accedere a *Maintenance > PV Curve*. Selezionare l'ingresso MPPT e iniziare.

La forma della curva sarà determinata da fattori esterni come l'irraggiamento solare, l'ombreggiamento dei pannelli fotovoltaici causato da elementi esterni, la temperatura, ecc.

Ogni volta che viene disegnata una curva rimane memorizzata nello storico delle curve.

19.18. Esecuzione di un Autotest per CEI 0-21

INFORMAZIONI

Questo menu viene visualizzato solo se è stata selezionata la normativa *CEI 0-21 SPI Interno*.

L'Autotest è un test definito dalla normativa *CEI 0-21* per verificare lo SPI interno. Per eseguire questa operazione, accedere a *Maintenance > Autotest*.

Il test avvicina i limiti verso la tensione o la frequenza dell'impianto con una rampa rispettivamente di 0,05 Vn/s o 0,05 Hz/s, fino ad attivare lo SPI.

Viene misurata la precisione dei limiti e dei tempi di disconnessione di ogni protezione, indicando (OK/NOK) se sono conformi alla precisione specificata dalla norma *CEI 0-21* (Tensione: $\pm 1\%$ Vn, Frequenza ± 20 mHz, Tempo: ± 20 ms) rispetto ai limiti configurati.

Se il risultato è corretto, l'inverter esce dal test e si riconnette automaticamente alla rete per tornare al funzionamento normale.

Se invece una qualsiasi delle protezioni dà un risultato errato, l'inverter si disconnette dalla rete mostrando l'allarme *0x0800 Guasto Hardware*.

19.19. Rilevamento del guasto di isolamento a terra e allarme

Questo inverter è conforme alla norma *IEC 62109-2* sezione 13.9 per il monitoraggio degli allarmi di guasto a terra.

Se viene attivato un allarme di guasto a terra, l'indicatore LED arancione si accende e sull'inverter viene visualizzato il seguente codice di guasto:

Allarme 20 + Code1 0x0004 Guasto isolamento sul morsetto positivo o negativo delle batterie o dell'impianto fotovoltaico

20. Risoluzione dei problemi

INFORMAZIONI

Consultare la “Alarm Interpretation and Troubleshooting Guide” che descrive in dettaglio gli allarmi e la risoluzione dei problemi che possono verificarsi durante l'installazione e il funzionamento di INGECON SUN STORAGE 1Play TL M. Per scaricare la guida, visitare il sito web INGECON SUN Training (www.ingeconsuntraining.info).

21. Disconnessione del dispositivo

In questa sezione viene descritta la procedura di disconnessione del dispositivo.

ATTENZIONE

Se si desidera intervenire all'interno del dispositivo, per disconnettere la tensione è obbligatorio seguire l'ordine delle operazioni qui riportato.

21.1. Procedura di disconnessione del dispositivo

1. Arrestare manualmente l'inverter utilizzando il pulsante On/Off sul pannello di controllo o dall'applicazione web.
2. Eliminare sia la tensione continua (V CC) che quella alternata (V CA) in arrivo nel dispositivo.
3. Attendere 10 minuti affinché si scarichino le capacità interne esistenti, si raffreddino gli elementi caldi esistenti (onde evitare ustioni) e si fermino le pale dei ventilatori.
4. Verificare che non vi sia tensione.
5. Segnalare la zona di interruzione (V CA e V CC) collocando il cartello "Attenzione, proibito realizzare manovre...". Se necessario, delimitare la zona di lavoro.

21.2. Disconnessione del cablaggio ai morsetti di tipo push-in

INFORMAZIONI

Per connettere i carichi critici, la rete di consumo e la rete/generatore ausiliario si utilizzano morsetti di tipo push-in.

La sezione "[7. Connessione/disconnessione del cablaggio sui morsetti di tipo push-in](#)" descrive in dettaglio la procedura di disconnessione del cablaggio in questo tipo di morsetti.

22. Manutenzione preventiva

Gli interventi di manutenzione preventiva consigliati devono essere effettuati con una periodicità minima annuale, eccetto quando diversamente indicato.

22.1. Condizioni di sicurezza

PERICOLO

Prima di aprire il dispositivo è necessario disinserire la tensione (vedere la sezione "21. Disconnessione del dispositivo").

L'insieme delle indicazioni sulla sicurezza riportate di seguito deve essere ritenuto una misura minima di sicurezza.

L'apertura dell'involucro non comporta affatto l'assenza di tensione nel dispositivo, pertanto l'accesso al medesimo può essere effettuato esclusivamente da personale qualificato, rispettando le indicazioni sulla sicurezza riportate in questo documento.

Ingeteam declina ogni responsabilità per i danni eventualmente causati da un uso inadeguato dei dispositivi. Ogni intervento realizzato su uno qualsiasi dei dispositivi e che comporti una modifica dell'assetto elettrico originale, deve essere previamente autorizzato da Ingeteam. Le proposte devono essere esaminate e approvate da Ingeteam.

Per l'esecuzione di tutte le verifiche di manutenzione riportate di seguito, il dispositivo deve trovarsi privo di tensione e nelle corrispondenti condizioni di sicurezza, comprese quelle specifiche del cliente concernenti questo tipo di interventi.

Per eseguire gli interventi di manutenzione sul dispositivo, utilizzare il Dispositivo di Protezione Individuale specificato nella sezione "Dispositivi di protezione individuale (DPI)" del presente documento.

Al termine dell'intervento di manutenzione, installare nuovamente il coperchio anteriore e fissarlo usando le viti corrispondenti.

22.2. Stato dell'involucro

È necessario eseguire un controllo visivo dello stato dell'involucro controllando lo stato delle chiusure e del coperchio, nonché del fissaggio dei dispositivi ai rispettivi agganci, sia alla parete che al trasformatore, se presente. È necessario, inoltre, verificare il buono stato dell'involucro e l'assenza di urti o graffi, i quali potrebbero degradare l'involucro o comprometterne il grado di protezione. Nel caso in cui vengano rilevate anomalie di questo tipo, procedere a riparare o sostituire le parti interessate.

Controllare che non vi sia umidità all'interno dell'involucro. In caso di presenza di umidità, è indispensabile eliminarla prima di realizzare le connessioni elettriche.

Controllare il corretto aggancio dei componenti dell'involucro ai relativi sistemi di fissaggio.

22.3. Stato dei cavi e dei terminali

- Controllare la corretta conduzione dei cavi, assicurandosi che non possano entrare in contatto con parti attive.
- Controllare che non vi siano anomalie negli isolamenti e nei punti caldi, controllando il colore dell'isolamento e dei morsetti.
- Verificare che le connessioni siano impostate correttamente.

22.4. Sistema di raffreddamento

- Controllare lo stato dei ventilatori di estrazione dell'aria, pulirli e sostituirli, se necessario.
- Pulire le alette del radiatore e le griglie di raffreddamento.

22.5. Ambiente

Verificare le caratteristiche dell'ambiente in modo da evitare che il ronzio si amplifichi o venga trasmesso.

23. Smaltimento dei rifiuti

Questi dispositivi utilizzano componenti nocivi per l'ambiente (schede elettriche, batterie o pile, ecc.).



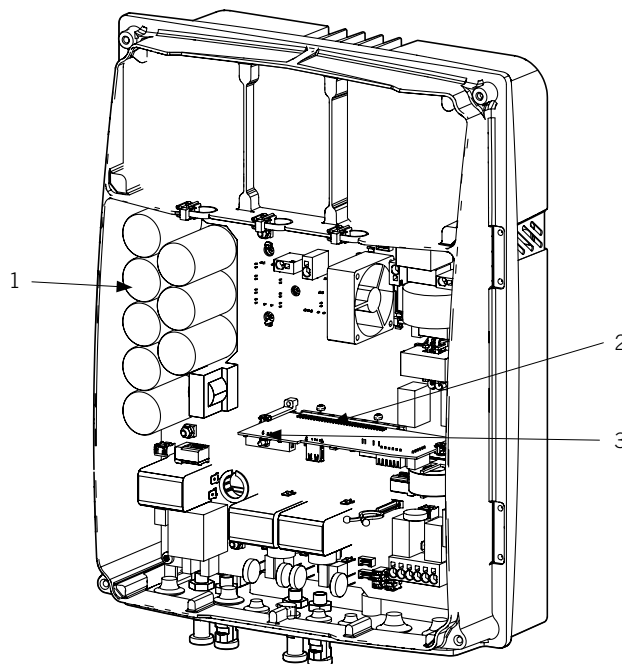
Al termine della sua vita utile, il dispositivo deve essere consegnato a un centro di raccolta autorizzato per il corretto smaltimento dei rifiuti pericolosi.

Ingeteam seguendo una politica rispettosa dell'ambiente, attraverso la presente sezione, informa il centro di raccolta e smaltimento autorizzato sull'ubicazione dei componenti da decontaminare.

Gli elementi presenti all'interno del dispositivo che devono essere trattati in modo specifico sono:

1. Condensatori elettrolitici o che contengono PCB.
2. Schede dei circuiti stampati.
3. Pile.

Nelle seguenti immagini ne viene mostrata l'ubicazione.



Installation and Operation Manual

Manual de instalación y uso

Manuel d'installation et usage

Manuale d'installazione e uso

Manual de instalação e uso

EN

ES

FR

IT

PT

Condições de segurança importantes

Ao longo desta seção, são descritos detalhadamente os avisos de segurança, bem como os Equipamentos de Proteção Individual.

Condições de segurança

Avisos gerais



PERIGO

A abertura do invólucro não implica a falta de tensão no interior.

Existe perigo de descarga elétrica, mesmo depois de desligar a rede, o campo fotovoltaico e o sistema de armazenamento.

Apenas o pessoal qualificado poderá abri-lo, seguindo as instruções do presente manual.



ATENÇÃO

As operações detalhadas no manual só podem ser realizadas por pessoal qualificado.

A condição referida de pessoal qualificado no presente manual será, no mínimo, aquela que satisfaça todas as normas, regulamentos e leis sobre segurança aplicáveis aos trabalhos de instalação e operação deste equipamento.

A responsabilidade de designar o pessoal qualificado recairá sempre sobre a empresa para a qual trabalhe este pessoal, devendo a empresa decidir qual trabalhador é indicado ou não para realizar um ou outro trabalho para preservar sua segurança, ao mesmo tempo em que cumpre a legislação sobre segurança no trabalho.

Essas empresas são responsáveis por proporcionar um treinamento adequado sobre equipamentos elétricos ao pessoal e familiarizá-lo com o conteúdo do presente manual.

É obrigatório agir em conformidade com a legislação aplicável em matéria de segurança para os trabalhos elétricos. Existe perigo de descarga elétrica.

O cumprimento das instruções de segurança descritas neste manual ou da legislação proposta não dispensa o cumprimento de outras normas específicas da instalação, local, país ou outras circunstâncias que afetem o inversor.

O conjunto das condições detalhadas neste documento deve ser considerado mínimo. Sempre é preferível cortar a alimentação geral. Podem existir defeitos na instalação que produzam retornos de tensão não desejados. Existe perigo de descarga elétrica.

De acordo com as normas de segurança gerais, o equipamento deve ser adequado para proteger os trabalhadores expostos contra o risco de contatos diretos e indiretos. Em qualquer caso, as partes elétricas dos equipamentos de trabalho devem estar ajustadas às disposições das regulamentações específicas correspondentes.

De acordo com as normas de segurança gerais, a instalação elétrica não deve implicar riscos de incêndio ou explosão. Os trabalhadores devem estar devidamente protegidos contra os riscos de acidente causados por contatos diretos ou indiretos. A instalação elétrica e os dispositivos de proteção deverão considerar a tensão, os fatores externos condicionantes e a competência das pessoas que tenham acesso a partes da instalação.

De modo a verificar a ausência de tensão, é obrigatório utilizar elementos de medida da classe III-1000 Volts.

O espaço reservado para a instalação do sistema de armazenamento deve estar corretamente ventilado.

O sistema de armazenamento será instalado de modo a evitar possíveis curtos-circuitos acidentais.



INFO

Estas instruções devem estar bem acessíveis, próximas do equipamento e ao alcance de todos os usuários.

Antes da instalação e colocação em funcionamento, ler atentamente estas instruções de segurança e avisos, bem como todos os sinais de advertência colocados no equipamento. Assegure-se de que todos os sinais de advertência permaneçam perfeitamente legíveis e que os sinais danificados ou em falta sejam substituídos.

A proteção contra contatos diretos é realizada através do invólucro.

i INFO

O equipamento foi testado de acordo com as regulamentações aplicáveis para cumprir os requisitos de segurança, os valores das distâncias de isolamento e linhas de fuga para as tensões de utilização.

Perigos potenciais para as pessoas**⚠ PERIGO**

Choque elétrico.

O equipamento pode permanecer carregado depois de se desligar o campo fotovoltaico, a alimentação de rede e o sistema de armazenamento.

Seguir cuidadosamente os passos obrigatórios no manual para retirar a tensão.

Explosão.

Existe um risco muito improvável de explosão em casos muito específicos de mau funcionamento.

A armação apenas protegerá o pessoal e os bens materiais de explosão se ela estiver corretamente fechada.

Esmagamento e lesões articulares.

Siga sempre as indicações do manual para mover e instalar o equipamento.

O peso deste equipamento pode provocar lesões, feridas graves e até a morte se ele não for manipulado corretamente.

Alta temperatura.

O fluxo de ar de saída pode alcançar temperaturas altas que causem danos nas pessoas expostas.

Perigos potenciais para o equipamento**⚠ PERIGO**

Refrigeração.

O equipamento necessita de um fluxo de ar livre de partículas enquanto está funcionando.

Manter a posição vertical e as entradas sem obstáculos é imprescindível para que o fluxo de ar chegue ao interior do equipamento.

Não toque nas placas nem nos componentes eletrônicos. Os componentes mais sensíveis podem ficar danificados ou ser destruídos pela eletricidade estática.

Não desligue nem ligue um terminal enquanto o equipamento estiver em funcionamento. Desligue e verifique a falta de tensão previamente.

Para evitar o desgaste prematuro das uniões aparafusadas do invólucro do equipamento, é necessário que as tarefas de retirada e instalação dos parafusos sejam realizadas com utilização de ferramenta manual.

Equipamento de proteção individual (EPI)

Sempre que trabalhar no equipamento use, no mínimo, os seguintes equipamentos de segurança recomendados pela Ingeteam.

Denominação	Explicação
Calçado de segurança	Em conformidade com a norma <i>UNE-EN-ISO 20345:2012</i>
Capacete	Em conformidade com a norma <i>EN 397:2012 + A1:2012</i>
Capacete com máscara	Em conformidade com a norma <i>UNE-EN 166:2002</i> , sempre que existam elementos com tensão diretamente acessíveis
Óculos de proteção	Em conformidade com a norma <i>UNE-EN 166:2002</i>
Vestuário de trabalho	Justo ao corpo, não inflamável, 100 % de algodão
Luvas dielétricas	Em conformidade com a norma <i>EN 60903:2005</i>

As ferramentas e/ou equipamentos utilizados nos trabalhos sob tensão devem ter obrigatoriamente isolamento da categoria III-1000 Volts.

No caso de as regulamentações próprias do local exigirem outros tipos de equipamentos de proteção individual, os equipamentos recomendados pela Ingeteam deverão se complementar de forma adequada.

Índice

Condições de segurança importantes	274
Condições de segurança	274
Equipamento de proteção individual (EPI)	276
Índice.....	277
1. Informações sobre este manual	280
1.1. Campo de aplicação e nomenclatura	280
1.2. Destinatários	280
1.3. Avisos.....	280
2. Descrição do equipamento	281
2.1. Esquema elétrico do sistema.....	282
2.2. Requisitos EMC	282
2.3. Contaminação acústica.....	282
2.4. Tabela de características.....	283
2.5. Descrição dos acessos de fiação	284
3. Recepção do equipamento e armazenagem.....	285
3.1. Recepção.....	285
3.2. Identificação do equipamento	285
3.3. Danos no transporte	285
3.4. Armazenamento.....	285
3.5. Conservação	285
4. Transporte do equipamento	286
4.1. Transporte	286
4.2. Embalagem	286
5. Preparação para a instalação do equipamento.....	287
5.1. Ambiente	287
5.2. Condições ambientais	288
5.3. Superfície de apoio e encaixe.....	288
5.4. Proteção da conexão das cargas críticas.....	288
5.5. Proteção da conexão à rede/gerador auxiliar	289
5.6. Proteção da conexão do sistema de armazenamento	289
5.7. Tipo de rede	289
5.8. Comprimento da fiação das baterias.....	290
5.9. Comprimento da fiação da rede/gerador auxiliar	290
5.10. Painéis fotovoltaicos	290
6. Instalação do equipamento	291
6.1. Requisitos gerais de instalação.....	291
6.2. Fixação do equipamento na parede.....	291
6.3. Abertura do invólucro	292
7. Conexão/desconexão da fiação em terminais de tipo push-in.....	293
8. Conexão do sistema de armazenamento.....	295
8.1. Indicações de segurança para a conexão do sistema de armazenamento	295
8.2. Requisitos da fiação para a conexão do sistema de armazenamento	295
8.3. Processo de conexão do sistema de armazenamento.....	296
9. Conexão do Kit opcional do sensor de temperatura PT-100 para baterias de chumbo-ácido	297
9.1. Instruções de segurança para a conexão do Kit opcional do sensor de temperatura PT-100 para baterias de chumbo-ácido.....	297
9.2. Requisitos da fiação para a conexão do Kit opcional do sensor de temperatura PT-100 para baterias de chumbo-ácido	297
9.3. Processo de conexão do Kit opcional do sensor de temperatura PT-100 para baterias de chumbo-ácido.....	297
10. Conexão das cargas críticas.....	300
10.1. Indicações de segurança para a conexão das cargas críticas.....	300
10.2. Requisitos da fiação para a conexão das cargas críticas	300
10.3. Processo de conexão das cargas críticas.....	301

11. Conexão da rede/gerador auxiliar.....	302
11.1. Indicações de segurança para a conexão da rede /gerador auxiliar.....	302
11.2. Requisitos da fiação para a conexão da rede/gerador auxiliar.....	302
11.3. Processo de conexão da rede/gerador auxiliar.....	303
12. Conexão do campo fotovoltaico.....	305
12.1. Indicações de segurança para a conexão do campo fotovoltaico.....	305
12.2. Requisitos da fiação para a conexão do campo fotovoltaico.....	305
12.3. Processo de conexão do campo fotovoltaico.....	305
13. Conexão da comunicação RS-485 para o wattímetro externo.....	307
13.1. Indicações de segurança para a conexão da comunicação RS-485 para o wattímetro externo.....	307
13.2. Requisitos da fiação para a conexão da comunicação RS-485 para o wattímetro externo.....	307
13.3. Processo de conexão da comunicação RS-485 para o wattímetro externo.....	308
14. Conexão da comunicação CAN para baterias de íon-lítio.....	309
14.1. Indicações de segurança para a conexão da comunicação CAN em baterias de íon-lítio.....	309
14.2. Requisitos da fiação para a conexão da comunicação CAN para baterias de íon-lítio.....	309
14.3. Processo de conexão da comunicação CAN para baterias de íon-lítio.....	310
15. Conexão das saídas digitais.....	311
15.1. Indicações de segurança para a conexão das saídas digitais.....	311
15.2. Requisitos da fiação para a conexão das saídas digitais.....	311
15.3. Processo de conexão das saídas digitais.....	311
16. Conexão das entradas digitais.....	313
16.1. Indicações de segurança para a conexão da entrada digital.....	313
16.2. Requisitos da fiação para a conexão da entrada digital.....	313
16.3. Processo de conexão das entradas digitais.....	313
17. Conexão de Ethernet TCP.....	315
17.1. Indicações de segurança para a conexão de Ethernet TCP.....	315
17.2. Processo de conexão de Ethernet TCP.....	315
18. Colocação em funcionamento.....	316
18.1. Revisão do equipamento.....	316
18.1.1. Inspeção.....	316
18.1.2. Fechamento hermético do equipamento.....	316
18.2. Colocação em funcionamento.....	316
18.2.1. Primeira configuração do equipamento.....	317
19. Utilização do equipamento.....	318
19.1. Painel de controle.....	318
19.2. Gestão do inversor através do aplicativo Web.....	318
19.3. Conectar localmente com o inversor através de sua rede Wi-Fi.....	319
19.4. Conectar o inversor com uma rede Wi-Fi.....	319
19.5. Conectar remotamente com o inversor.....	319
19.6. Monitoramento do inversor.....	320
19.6.1. Monitoramento por Modbus-TCP.....	320
19.7. Configuração do inversor.....	320
19.7.1. Configurar o tipo de bateria.....	321
19.7.2. Configurar o inversor para que trabalhe apenas com campo fotovoltaico, sem baterias.....	322
19.7.3. Configurar o modo de funcionamento e respectivos parâmetros.....	322
19.7.4. Configurar a regulamentação em instalações de conexão com a rede.....	323
19.7.5. Configurar o sistema de ligação à terra TT/TN.....	323
19.7.6. Configurar a carga de baterias a partir da rede de distribuição.....	324
19.7.7. Configurar a potência máxima de injeção de excedente fotovoltaico na rede de distribuição....	325
19.7.8. Configurar a função Battery-Backup em instalações de autoconsumo.....	325
19.7.9. Configurar o gerador auxiliar em instalações isoladas.....	325
19.7.10. Configurar a carga das baterias a partir do gerador.....	326
19.7.11. Configurar a proteção contra sobrecarga e curto-circuito na saída de cargas críticas.....	326
19.7.12. Configurar as saídas digitais.....	327
19.7.13. Configurar as entradas digitais.....	327
19.7.14. Configurar um horário para a descarga das baterias.....	327
19.7.15. Configurar formas de fornecer serviços de qualidade à rede.....	328
19.8. Utilização do wattímetro interno do inversor ou do wattímetro externo.....	328

19.9. Atualizar o firmware do inversor.....	329
19.10. Repor os valores de fábrica da configuração do inversor.....	330
19.11. Motivos de limitação da potência do inversor.....	330
19.12. Carga de emergência automática da bateria.....	331
19.13. Realizar uma carga de equalização para as baterias.....	332
19.14. Realizar um teste de ventilação.....	332
19.15. Calibrar as baterias de íon-lítio.....	333
19.16. Uso do INGECON SUN 1Play em sistemas isolados.....	333
19.17. Visualizar a curva fotovoltaica.....	333
19.18. Realize um Autotest para CEI 0-21.....	333
19.19. Detecção de falha de isolamento à terra e alarme.....	334
20. Resolução de problemas.....	335
21. Desligamento do equipamento.....	336
21.1. Processo de desligamento do equipamento.....	336
21.2. Desconexão da fiação em terminais de tipo push-in.....	336
22. Manutenção preventiva.....	337
22.1. Condições de segurança.....	337
22.2. Estado do invólucro.....	337
22.3. Estado dos cabos e dos terminais.....	337
22.4. Sistema de refrigeração.....	337
22.5. Ambiente.....	338
23. Tratamento de resíduos.....	339

1. Informações sobre este manual

Este manual tem como objetivo descrever os equipamentos INGECON SUN STORAGE 1Play TL M e fornecer as informações adequadas para a sua correta recepção, instalação, colocação em funcionamento, manutenção e operação.

1.1. Campo de aplicação e nomenclatura

Este manual é válido para os seguintes equipamentos:

Nome completo	Abreviatura
INGECON SUN STORAGE 1Play 3TL M	1Play 3TL M
INGECON SUN STORAGE 1Play 4.5TL M	1Play 4.5TL M
INGECON SUN STORAGE 1Play 6TL M	1Play 6TL M

No presente documento, os diferentes modelos serão designados quer pelo seu nome completo, quer pela respectiva abreviatura. Além disso, qualquer modelo da família INGECON SUN STORAGE 1Play TL M será referido de forma genérica pelos termos *equipamento* ou *inversor*.

1.2. Destinatários

O presente documento se destina a pessoal qualificado.

A condição referida de pessoal qualificado no presente manual será, no mínimo, aquela que satisfaça todas as normas, regulamentos e leis sobre segurança aplicáveis aos trabalhos de instalação e operação deste equipamento.

A Ingeteam recomenda que a instalação deste equipamento seja realizada por um instalador profissional.

1.3. Avisos

Este manual inclui avisos para seleção das informações que se pretende ver ressaltadas. De acordo com o gênero de conteúdo do texto, existem três tipos de avisos:



PERIGO

Indicação de riscos para a integridade do pessoal ou do inversor.



ATENÇÃO

Indicação de caráter importante.



INFO

Informação adicional ou referências a outras partes do documento ou a outros documentos.

2. Descrição do equipamento

O inversor híbrido INGECON SUN STORAGE1Play TL M permite combinar a geração fotovoltaica com o armazenamento de energia, sem necessidade de adicionar inversores fotovoltaicos adicionais.

Este inversor inclui um duplo sistema de acompanhamento do ponto de potência máxima (*MPPT*), que permite extrair a máxima potência do campo fotovoltaico mesmo em instalações sobre telhados com várias orientações ou com sombras parciais.

Graças ao *Energy Managment System (EMS)* incluído, a instalação pode ser continuamente monitorada através de PC ou celular, com o aplicativo gratuito INGECON SUN Monitor.

Além disso, ele tem a capacidade de trabalhar em modo isolado ou conectado com a rede de distribuição nos seguintes tipos de instalação.

Instalações isoladas

Sistema desconectado da rede de distribuição, cuja finalidade é proporcionar energia alterna a um conjunto de consumos.

Neste tipo de instalações, é possível instalar um gerador auxiliar, que pode ser ativado através de uma saída livre de potencial para carregar as baterias.

Instalações UPS

Sistema interconectado à rede de distribuição, cujo principal objetivo é ser usado como suporte em caso de queda da rede. Neste caso, a instalação atua como uma UPS tipo Off-line.

Instalações de autoconsumo

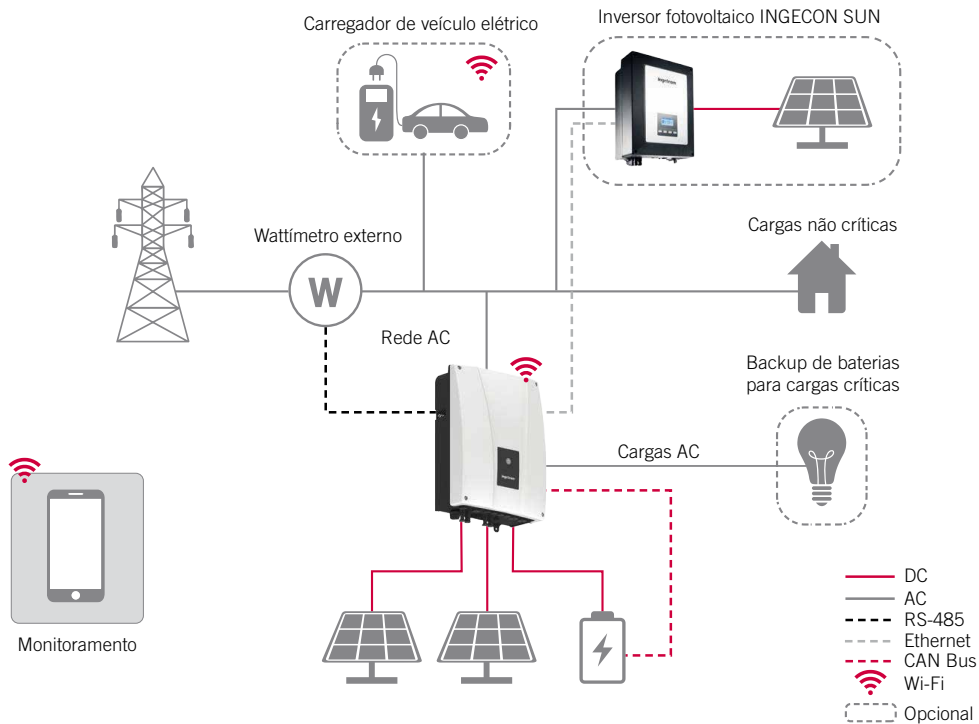
Sistema interconectado à rede de distribuição que procura minimizar o consumo a partir da rede e aumentar o abastecimento automático.

Caso a produção de energia seja superior ao exigido, o excedente pode ser usado para carregar as baterias e para injetar na rede. Além disso, conta com a funcionalidade *Battery-Backup* para que, em, caso de uma queda de rede, o inversor alimente as cargas críticas a partir das baterias e dos painéis fotovoltaicos.

INFO

Para mais informações sobre este tipo de instalações, consulte o "Guia técnico para instalações com INGECON SUN STORAGE 1Play TL M", disponível na página Web da Ingeteam.

2.1. Esquema elétrico do sistema



INFO

Este esquema representa uma instalação tipo de autoconsumo. Para mais informações sobre diferentes tipos de instalações, consulte o "Guia técnico para instalações com INGECON SUN STORAGE 1Play TL M", disponível na página Web da Ingeteam.

2.2. Requisitos EMC

Os equipamentos INGECON SUN STORAGE 1Play TL M estão equipados com os elementos de filtro necessários para o cumprimento dos requisitos de EMC para aplicações domésticas, com o objetivo de evitar perturbações nos outros equipamentos exteriores à instalação.

2.3. Contaminação acústica

O funcionamento deste equipamento gera um ruído leve.

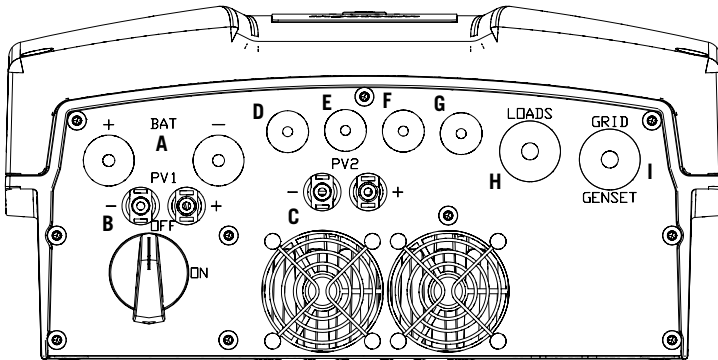
Não o coloque em cima de suportes leves que possam amplificar esse ruído. A superfície de montagem deve ser firme e adequada ao peso do equipamento.

2.4. Tabela de características

	3TL M	4.5TL M	6TL M
Entrada do sistema de armazenamento (DC)			
Intervalo de tensão ⁽¹⁾	40 ~ 460 V		
Corrente máxima de carga/descarga	66 A		
Tipo de baterias	Chumbo-ácido, ion-lítio (LG, BYD, Pylontech...) ⁽²⁾		
Comunicação com baterias de íon-lítio	CAN Bus 2.0		
Entrada do campo fotovoltaico (DC)			
Potência máxima campo FV	11,5 kWp		
Intervalo de tensão MPP	80 ~ 480 V		
Intervalo de tensão de operação	80 ~ 540 V		
Tensão máxima de entrada ⁽³⁾	550 V		
Corrente máxima de entrada (entrada 1/entrada 2) ⁽⁴⁾	13,5 A / 13,5 A		
Número de MPPT	2		
Número de entradas (entrada 1/entrada 2)	1 / 1		
Entrada de rede/gerador auxiliar (AC)			
Tensão nominal	230 V		
Gama de tensão	172 ~ 264 V		
Frequência nominal	50 / 60 Hz		
Gama de frequência	40 ~ 70 Hz		
Tipo de rede	TT / TN		
Potência nominal	3 kW	4,5 kW	6 kW
Temperatura máx. para potência nominal	40 °C		
Corrente máxima	13 Arms	20 Arms	26 Arms
Fator de potência	-0,8 ~ 1 ~ 0,8		
Saída de cargas críticas (AC)			
Potência (25 °C) 30 min, 2 min, 3 s ⁽⁵⁾	6.400 / 6.900 / 7.900 W		
Corrente máxima	13 Arms	20 Arms	26 Arms
Tensão nominal ⁽⁶⁾	220 ~ 240 V		
Frequência nominal ⁽⁶⁾	50 / 60 Hz		
Fator de potência	-0,8 ~ 1 ~ 0,8		
Tempo de resposta da função Back-up	12 ms		
Funcionalidades			
Eficiência máxima	95,5 %	96 %	96 %
Euro eficiência	95,1 %	95,2 %	95,2 %
Dados gerais			
Sistema de refrigeração	Ventilação forçada		
Fluxo de ar	45 m³/h		
Peso	26 kg		
Medidas (altura x largura x profundidade)	470 x 360 x 180 mm		
Consumo em modo de espera	< 10 W		
Temperatura de funcionamento	-20 ~ +65 °C		
Umidade relativa (sem condensação)	4 ~ 100 %		
Grau de proteção	IP65		
Altitude máxima	2000 m		
Categoria de sobretensão	Categoria III (AC)/Categoria II (DC)		
Marcação	CE		
Norma EMC e de segurança	EN 61000-6-1, EN 61000-6-2, EN 61000-6-3, EN 61000-6-4, EN 61000-3-11, EN 61000-3-12, EN 62109-1, EN62109-2, AS62040.1, FCC PART 15		
Norma de conexão com a rede de distribuição	DIN V VDE V 0126-1-1, EN 50438, CEI 0-21, VDE-AR-N4105:2011-08, G59/3, G83/2, AS4777.2:2015, IEC 62116, IEC 61727, UNE 206007-1:2013, UNE 206006:2011, UNE 217001 IN:2015, NRS097-2-1, ABNT NBR 16149, ABNT NBR 16150, South African Grid code, P.O.12.2, G99, EN 50549-1		

⁽¹⁾ A potência máxima fornecida pela bateria será a tensão das baterias multiplicada pela corrente máxima de descarga. ⁽²⁾ Consulte o site da Ingeteam para uma lista de baterias compatíveis. ⁽³⁾ Não ultrapassar em caso algum. Considere o aumento de tensão dos painéis "Voc" a baixas temperaturas. ⁽⁴⁾ Para entradas PV conectadas em paralelo, a corrente máxima total seria de 27 A. ⁽⁵⁾ No modo stand-alone, estas potências estão disponíveis apenas se a potência das baterias, somada com a potência fotovoltaica, alcançar esses valores. ⁽⁶⁾ Tensão e frequência configuráveis.

2.5. Descrição dos acessos de fiação



- A. Sistema de armazenamento.
Vedantes M20
- B. Campo fotovoltaico 1.
Conectores rápidos PV MC4
- C. Campo fotovoltaico 2.
Conectores rápidos PV MC4
- D. Entradas e saídas digitais.
Vedantes M16
- E. Comunicação RS-485 para wattímetro externo.
Vedantes M16
- F. Comunicação CAN para baterias de íon-lítio com BMS no equipamento com BMS ou Kit de sensor de temperatura para baterias de chumbo-ácido.
Vedantes M16
- G. Ethernet.
Vedantes M16
- H. Cargas críticas.
Vedantes M25
- I. Rede/gerador auxiliar.
Vedantes M25

Medida do vedante	Intervalo de diâmetros permitido
M16	5 mm ~ 9 mm
M20	8 mm ~ 13 mm
M25	11 mm ~ 17 mm

3. Recepção do equipamento e armazenagem

3.1. Recepção

Manter o equipamento dentro da embalagem até imediatamente antes de sua instalação. Manter sempre o equipamento na **posição horizontal**.

3.2. Identificação do equipamento

O número de série do equipamento o identifica de forma inequívoca. Em qualquer comunicação com a Ingeteam, faça referência a este número.

Além disso, o número de série do equipamento também estará indicado na placa de identificação.

3.3. Danos no transporte

Se, durante o transporte, o equipamento tiver sofrido danos, siga os seguintes passos na seguinte ordem:

1. Não proceda à instalação.
2. Notifique imediatamente o distribuidor no prazo de 5 dias a partir da recepção do equipamento.

Se for necessário devolver o equipamento ao fabricante, utilize a mesma embalagem na qual o equipamento foi recebido.

3.4. Armazenamento

ATENÇÃO

O incumprimento das instruções fornecidas nesta seção pode originar danos no equipamento.

A Ingeteam não assume nenhuma responsabilidade pelos danos decorrentes do incumprimento destas instruções.

Se o equipamento não for instalado imediatamente após a sua recepção, deve-se ter em conta os seguintes aspectos de modo a evitar sua deterioração:

- O conjunto deve ficar armazenado na posição horizontal.
- Mantenha o equipamento livre de sujeira (pó, aparas, gordura, etc.) e de roedores.
- Evite que ele receba salpicos de água, faíscas de soldagens, etc.
- Cubra o equipamento com um material protetor transpirável, de modo a evitar a condensação gerada pela umidade do ambiente.
- Os equipamentos armazenados não deverão estar submetidos a condições climáticas diferentes das indicadas na seção [“2.4. Tabela de características”](#).
- É muito importante proteger o equipamento de produtos químicos (que possam provocar corrosão) e de ambientes salinos.
- Não deixe o equipamento ao ar livre.

3.5. Conservação

Para obter uma conservação correta dos equipamentos, não se deve retirar a embalagem original até o momento da respectiva instalação.

Em caso de armazenamento prolongado, é recomendável que ele seja realizado em locais secos, evitando dentro do possível, mudanças bruscas de temperatura.

A deterioração da embalagem (cortes, aberturas, etc.) faz com que os equipamentos não se mantenham em ótimas condições antes de sua instalação. A Ingeteam não se responsabiliza pelo equipamento em caso de incumprimento desta condição.

4. Transporte do equipamento

Durante o transporte, proteja o equipamento contra golpes mecânicos, vibrações, salpicos de água (chuva) e qualquer outro produto ou situação que possa danificar ou alterar seu bom funcionamento. A inobservância destas instruções pode originar a perda de garantia do produto, da qual a Ingeteam não se responsabiliza.

4.1. Transporte

Transporte através de um carregador de paletes

As seguintes instruções deverão ser obrigatoriamente seguidas:

1. Pouse os equipamentos embalados centrados em relação às extremidades.
2. Procure colocá-los o mais próximo possível da união das extremidades com o puxador.
3. Respeitar sempre o manual de utilização do carregador de paletes.

Transporte através da empilhadeira

As seguintes instruções deverão ser obrigatoriamente seguidas:

1. Pouse os equipamentos embalados centrados em relação às extremidades.
2. Procure colocá-los o mais próximo possível da união das extremidades com o puxador.
3. Assegure-se de que as pinças estão perfeitamente niveladas para evitar possíveis derrubamentos do equipamento.
4. Em qualquer caso, respeite o manual de utilização da empilhadeira.

Uma vez transportado o equipamento para o local onde ficará situado, ele só deverá ser desembalado no momento da instalação.

Nesse momento, é possível transportá-lo verticalmente por uma distância curta sem a embalagem. Devem ser seguidas as instruções indicadas na seção seguinte.

Transporte do equipamento com o equipamento desembalado

As seguintes instruções deverão ser obrigatoriamente seguidas:

1. Utilizar as aberturas laterais para agarrar no equipamento com ambas as mãos.
2. Seguir os conselhos ergonômicos necessários para levantar pesos.
3. Não largar o equipamento até que este esteja perfeitamente fixado ou pousado.
4. Pedir que outra pessoa oriente os movimentos a serem realizados.

4.2. Embalagem

É extremamente importante manusear corretamente os equipamentos, de modo a:

- Não deteriore a embalagem que permite mantê-los em ótimas condições, desde sua expedição até o momento de serem instalados.
- Evite golpes e/ou quedas dos equipamentos que possam deteriorar as características mecânicas dos mesmos, como, por exemplo: fechamento incorreto de portas, perda de grau de proteção, etc.
- Evite, na medida do possível, as vibrações que possam provocar um mau funcionamento posterior.

No caso de observar alguma anomalia, entre imediatamente em contato com a Ingeteam.

Eliminação da embalagem

Todas as embalagens podem ser entregues a um gestor autorizado de resíduos não perigosos.

Em qualquer caso, o destino de cada parte da embalagem será o seguinte:

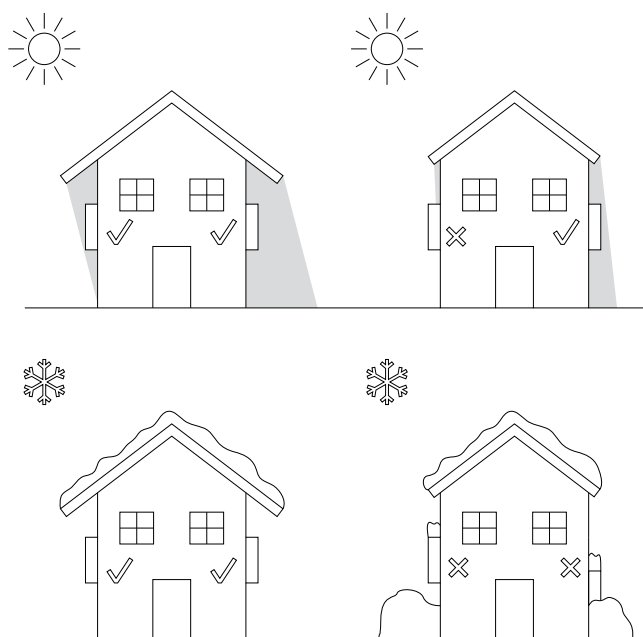
- Plástico (poliestireno, saco e plástico bolha): contêiner correspondente.
- Papelão: contêiner correspondente.

5. Preparação para a instalação do equipamento

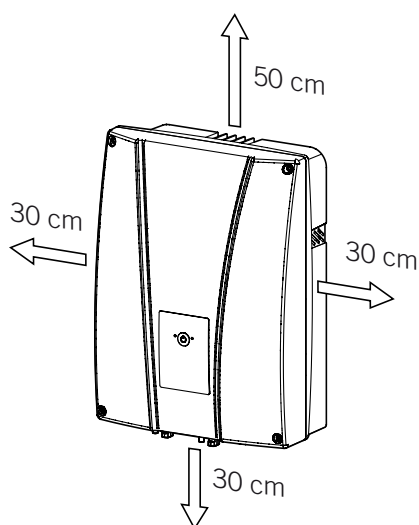
No momento de escolher a localização do equipamento e planejar a respectiva instalação, deve ser seguida uma série de instruções derivadas das características do mesmo. Neste capítulo, são resumidas estas instruções e descritos em detalhe os elementos externos ao equipamento que são necessários para o seu funcionamento correto.

5.1. Ambiente

- Estes equipamentos podem ser instalados em interiores e exteriores.
- Coloque os equipamentos em um local acessível para os trabalhos de instalação e manutenção, e que permita a visualização dos LED indicadores frontais.
- Evite ambientes corrosivos que possam afetar o funcionamento correto do inversor.
- É estritamente proibido deixar qualquer objeto em cima do equipamento.
- Os inversores não devem ser expostos à radiação solar direta.



- Mantenha as seguintes distâncias livres de obstáculos:



5.2. Condições ambientais

Deve-se ter em conta as condições ambientais de funcionamento do equipamento indicadas na tabela de características para escolher a sua localização.

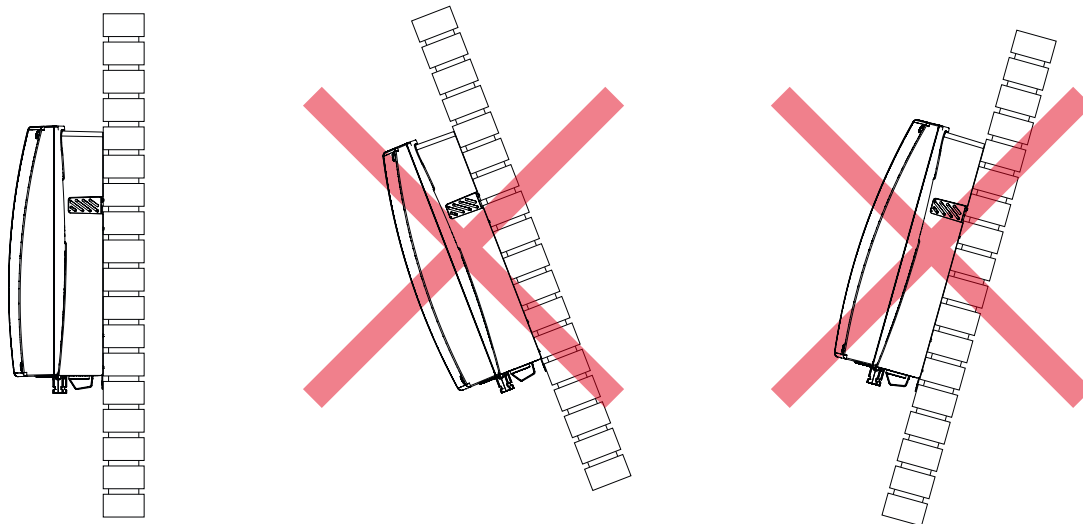
O ar ambiente deve estar limpo e a umidade relativa, a mais de 40 °C, deve estar no intervalo entre 4% e 50%. São toleradas maiores percentagens de umidade relativa até 95% a temperaturas inferiores a 30 °C.

É necessário ter em conta que ocasionalmente uma condensação moderada pode se formar como consequência das variações de temperatura. Por este motivo, e à margem da própria proteção do equipamento, é necessário supervisionar esses equipamentos, uma vez colocados em funcionamento nos locais em que se julgue que não irão ocorrer as condições anteriormente descritas.

Nunca aplique tensão nos equipamentos com condensação.

5.3. Superfície de apoio e encaixe

De modo a garantir uma boa evacuação do calor e favorecer a estanqueidade, os equipamentos devem ser pendurados em uma parede perfeitamente vertical ou, na falta dela, com uma leve inclinação máxima de +80° ou -80°.



Deve-se reservar uma parede sólida para amarrar o equipamento. Deverá ser possível perfurar e colocar buchas e parafusos (adequados para suportar o peso do equipamento) na parede.

5.4. Proteção da conexão das cargas críticas

Interruptor magnetotérmico

É necessário instalar um interruptor magnetotérmico na saída de cargas críticas.

A tabela a seguir fornece os dados necessários para o instalador selecionar o dispositivo referido.

INGECON SUN STORAGE 1Play TL M	Corrente máxima	Corrente nominal do magnetotérmico
3TL M	13 Arms	20 Arms
4.5TL M	20 Arms	32 Arms
6TL M	26 Arms	32 Arms

Ao escolher a proteção, tenha em conta que a temperatura ambiente de trabalho influencia a corrente máxima permitida por essas proteções de acordo com a indicação do fabricante.

É necessário instalar uma proteção diferencial na linha de cargas críticas de acordo com a legislação atual do país de instalação.

5.5. Proteção da conexão à rede/gerador auxiliar

Interruptor magnetotérmico

É necessário instalar um interruptor magnetotérmico na conexão do inversor à rede/gerador auxiliar.

A tabela a seguir fornece os dados necessários para o instalador selecionar o dispositivo referido.

INGECON SUN STORAGE 1Play TL M	Corrente máxima	Corrente nominal do magnetotérmico
3TL M	13 Arms	20 Arms
4.5TL M	20 Arms	32 Arms
6TL M	26 Arms	32 Arms

No momento de selecionar a proteção de uma instalação, tenha em conta que o poder de corte da mesma deve ser superior à corrente de curto-circuito do ponto de conexão com a rede.

Também é necessário ter em conta que a temperatura do trabalho influencia a corrente máxima permitida pelas referidas proteções, de acordo com as indicações do fabricante.

Interruptor diferencial

É necessário instalar uma proteção diferencial de acordo com a legislação atual do país de instalação, entre o inversor e a rede elétrica.

5.6. Proteção da conexão do sistema de armazenamento

⚠ ATENÇÃO

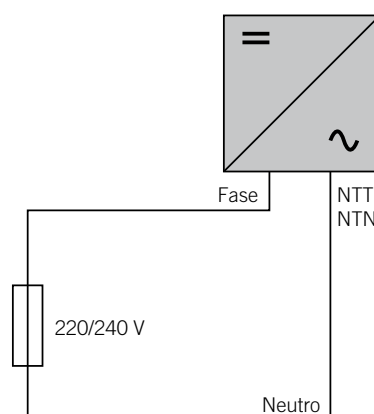
Esses inversores não permitem o aterramento das baterias. Por isso, os terminais do banco de baterias devem estar isolados da terra. Caso contrário, é provocada uma falha de isolamento no inversor.

É obrigatório instalar um interruptor de corrente contínua entre o inversor e o banco de baterias. Deve estar dimensionado para abrir o banco de baterias instalado, tendo em conta a corrente máxima de carga e descarga.

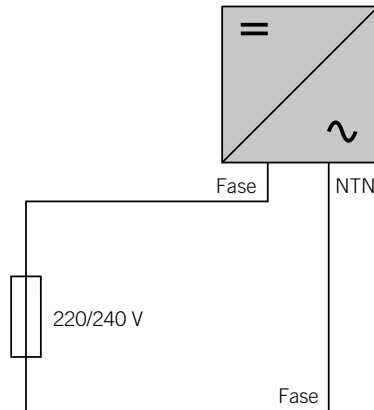
5.7. Tipo de rede

Estes inversores podem ser conectados a redes monofásicas ou bifásicas que possuam as seguintes características. Eles não são compatíveis com redes de fase dividida (split-phase).

Red monofásica 220/240 Vac (L-N-PE)



Red bifásica 220/240 Vac (L-L-PE)



5.8. Comprimento da fiação das baterias

O inversor mede a tensão da bateria nos seus bornes de conexão. Por esta razão, o instalador deve aplicar um cabo DC com uma impedância suficientemente baixa para que o processo de carga/descarga da bateria não provoque a desconexão do equipamento devido a uma tensão da bateria alta ou baixa (consulte a seção [“8.2. Requisitos da fiação para a conexão do sistema de armazenamento”](#)).

5.9. Comprimento da fiação da rede/gerador auxiliar

O inversor mede a tensão da rede/gerador nos seus bornes de conexão. Por esta razão, o instalador deve aplicar um cabo AC com uma impedância suficientemente baixa para que a absorção/injeção de corrente não provoque a desconexão do equipamento devido à tensão de rede baixa ou alta (consulte a seção [“11.2. Requisitos da fiação para a conexão da rede/gerador auxiliar”](#)).

5.10. Painéis fotovoltaicos

Os painéis fotovoltaicos da instalação devem ser de classe A (*IEC 61730*). Estes equipamentos não permitem o aterramento dos painéis fotovoltaicos, por isso, o polo positivo e o polo negativo do campo fotovoltaico não devem ser ligados à terra. Caso contrário, é provocada uma falha de isolamento no inversor.

No entanto, a estrutura metálica em que são fixados os painéis fotovoltaicos e/ou o quadro metálico do painel podem estar ligados à terra.

6. Instalação do equipamento

⚠ ATENÇÃO

Todas as operações de instalação devem cumprir a regulamentação vigente.

Todas as operações que impliquem a movimentação de pesos elevados deverão ser realizadas por duas pessoas.

Antes de proceder à instalação do equipamento, a embalagem deverá ser retirada, tendo cuidado especial para não danificar o invólucro.

Verifique se existe condensação no interior da embalagem. Se existirem sinais de condensação, o equipamento não deverá ser instalado até assegurar que ele está completamente seco.

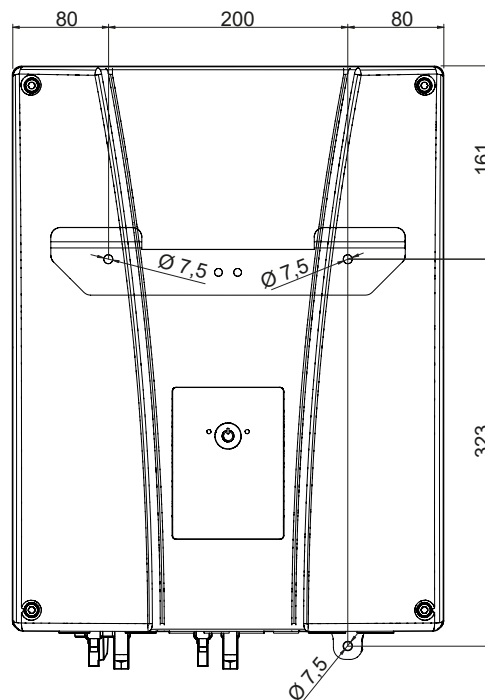
6.1. Requisitos gerais de instalação

- O ambiente do equipamento deve ser adequado e satisfazer as instruções descritas no capítulo “5. *Preparação para a instalação do equipamento*”. Além disso, os elementos utilizados na restante instalação devem ser compatíveis com o equipamento e com o cumprimento da legislação aplicável.
- A ventilação e o espaço de trabalho devem ser adequados para os trabalhos de manutenção, de acordo com a regulamentação aplicável vigente.
- Os dispositivos exteriores de conexão devem ser adequados e estar suficientemente próximos, de acordo com o estabelecido na regulamentação vigente.
- Os cabos de ligação devem ter a seção adequada à intensidade máxima.
- Ter especial cuidado para não existirem elementos exteriores próximos às entradas e saídas de ar que impeçam a refrigeração correta do equipamento.

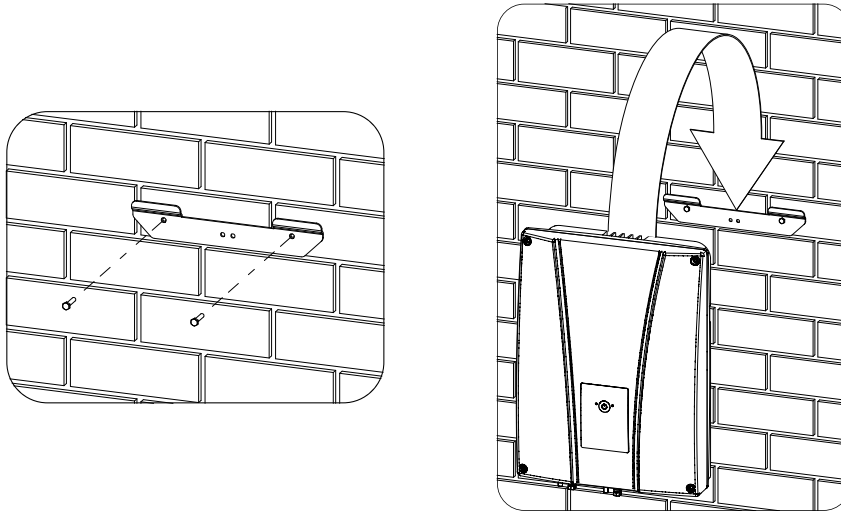
6.2. Fixação do equipamento na parede

Os INGECON SUN STORAGE 1Play dispõem de um sistema de encaixe na parede através de platina. A seguir, são descritos os passos para fixar o equipamento corretamente. Deve-se considerar o peso do equipamento.

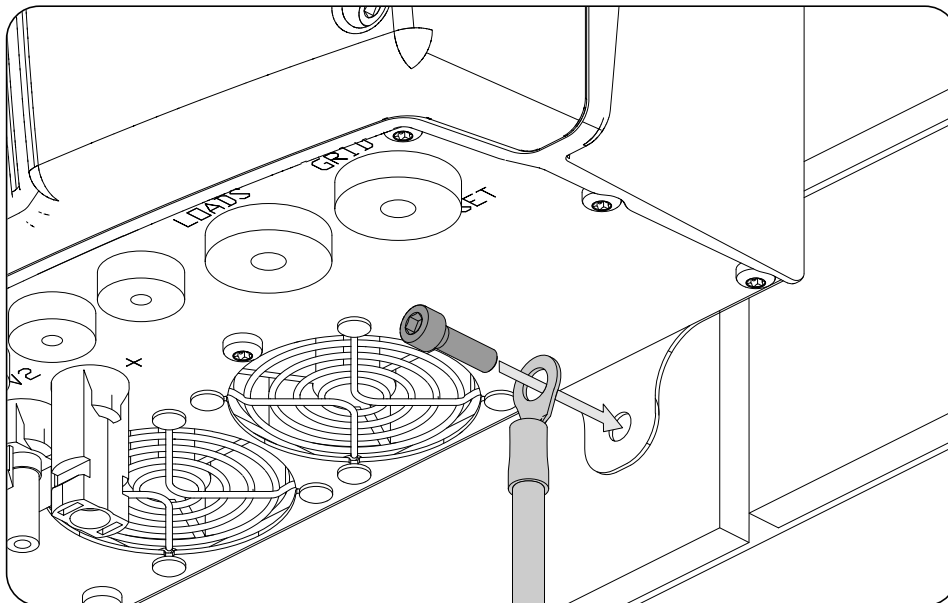
1. Assinale os pontos de conexão da platina na parede e faça os furos com uma broca adequada à parede e aos elementos de fixação que serão utilizados posteriormente para fixar a platina.



- Fixar a platina com elementos de fixação de aço inoxidável para evitar a corrosão. Pendurar o equipamento da platina, encaixando os dois pinos da mesma nas aberturas (destinadas para esse fim) da parte traseira do equipamento. Utilizar as aberturas laterais para agarrar no equipamento com ambas as mãos.



- Para evitar descargas elétricas a partir do invólucro do inversor caso o cabo de proteção que se conecta no interior do inversor falhe, é necessário ligar o invólucro à terra. Para isso, conecte o cabo de terra ao parafuso de conexão inferior.



⚠ ATENÇÃO

Além disso, é necessário conectar o cabo de proteção ao borne de rede do inversor assim como detalhado na seção [“11.3. Processo de conexão da rede/gerador auxiliar”](#).

- Verifique se o equipamento ficou bem seguro.

6.3. Abertura do invólucro

Para entrar no interior do equipamento, abra a tampa do invólucro retirando os quatro parafusos frontais.

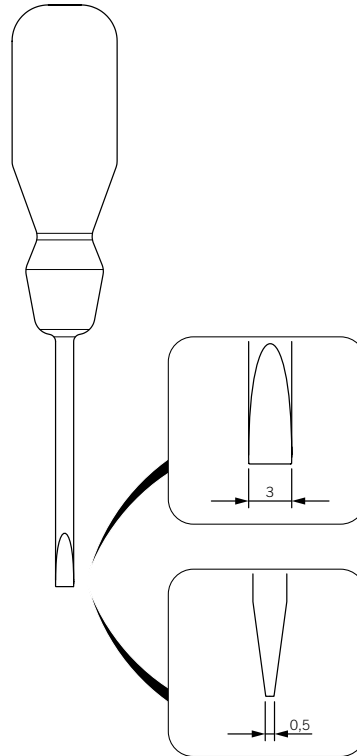
7. Conexão/desconexão da fiação em terminais de tipo push-in

A conexão de cargas críticas e da rede/gerador auxiliar se realiza através de terminais de tipo *push-in*.

Nesta seção, descreve-se o processo para a conexão e desconexão da fiação nesses terminais, bem como a ferramenta a utilizar.

Ferramenta necessária

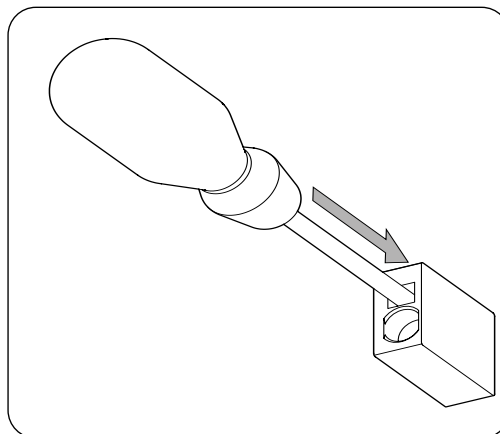
Para realizar operações nesses terminais, é necessário utilizar uma chave de fendas plana que tenha as medidas máximas indicadas na seguinte figura.



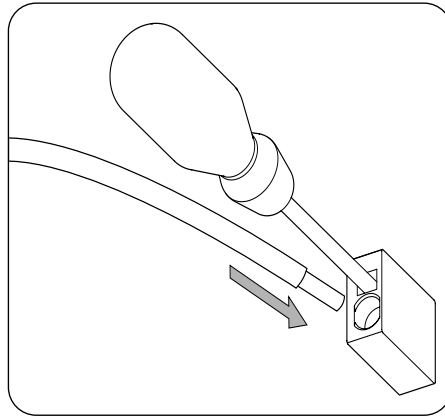
Conexão da fiação

Para conectar a fiação nesses terminais, realize os seguintes passos:

1. Insira a chave de fendas plana no orifício indicado.



2. Insira a fiação.

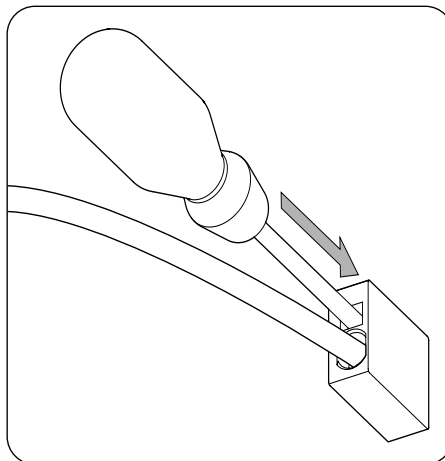


3. Retire a chave de fendas.
4. Verifique se a conexão é firme.

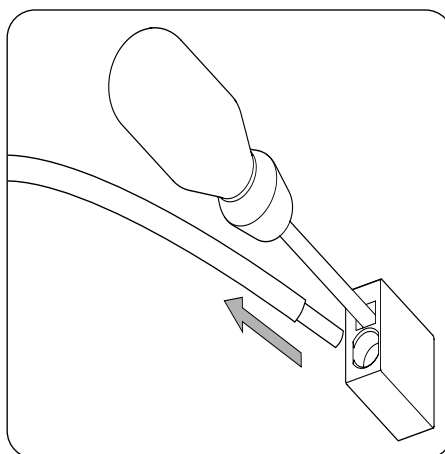
Desconexão da fiação

Para desconectar a fiação nesses terminais, realize os seguintes passos:

1. Insira a chave de fendas plana no orifício indicado.



2. Extraia a fiação.



3. Retire a chave de fendas.

8. Conexão do sistema de armazenamento

Ao longo deste capítulo, são explicados os requisitos e o processo para conectar a fiação do sistema de armazenamento no equipamento. Leia atentamente antes de iniciar o processo de conexão.

8.1. Indicações de segurança para a conexão do sistema de armazenamento

ATENÇÃO

Antes de começar a realizar as conexões, certifique-se de que não haja tensão no inversor. Verificar se as proteções da rede/gerador, das cargas críticas, do sistema de armazenamento e do campo fotovoltaico estão abertas.

Não fornecer tensão ao equipamento até ter concluído as conexões com sucesso e o equipamento tenha sido fechado.

No momento de realizar as conexões, respeite as polaridades marcadas nas inscrições da placa eletrônica. No caso de conexão errada, o inversor pode ser danificado.

A Ingeteam não se responsabiliza por danos decorrentes de uma conexão incorreta, bem como pela aplicação incorreta dos torques indicados.

8.2. Requisitos da fiação para a conexão do sistema de armazenamento

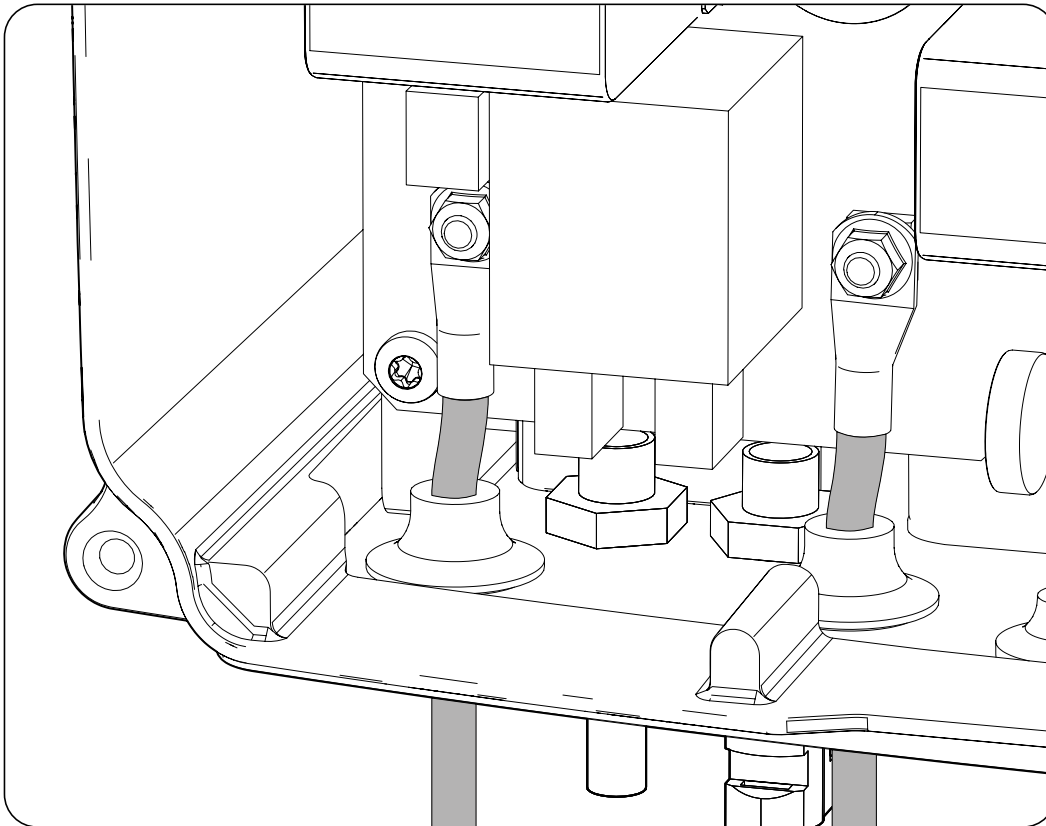
As características da fiação para a conexão do sistema de armazenamento são especificadas na seguinte tabela:

	INGECON SUN STORAGE 1Play TL M		
	Até 32 A	Até 40 A	Até 66 A
Seção fiação	16 mm ²		
Diâmetro da fiação	8 ~ 13 mm		
Outras características*	Terminal de anilha para parafuso M5 / Terminal de anilha para parafuso M8		
Torque porca*	M5: 2,5 Nm / M8: 9 Nm		

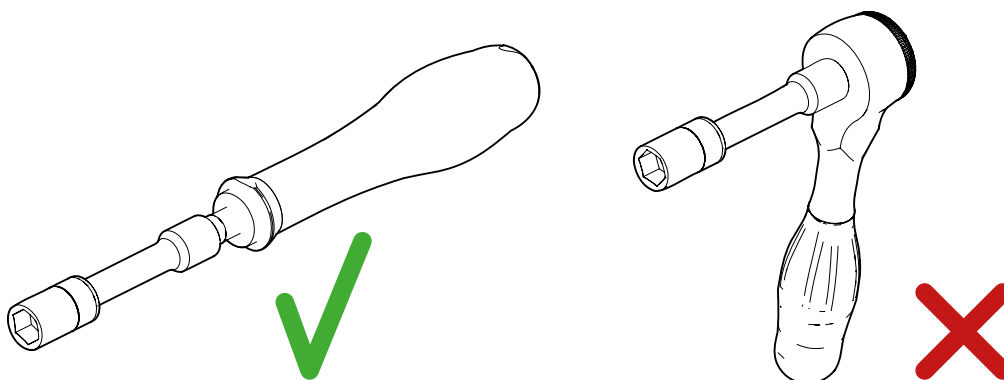
* A conexão do sistema de armazenamento no novo hardware do inversor é feita com M8 em vez de M5. Verifique a métrica em seu inversor e aplique o torque correspondente.

8.3. Processo de conexão do sistema de armazenamento

Para realizar a conexão do sistema de armazenamento:



1. Insira a fiação do sistema de armazenamento através do passa-cabos dedicado, respeitando as polaridades.
2. Retire as porcas e conecte a fiação nos bornes marcados como *J105 BATTERY +* e *J06 BATTERY -* - respeitando as polaridades.
3. Aperte as porcas ao torque indicado acima, de acordo com seu valor métrico, para assegurar a fixação correta. É importante não apertar demais as porcas.



Ferramentas aconselhadas e desaconselhadas para o torque das porcas

4. Verifique se a conexão é firme.

9. Conexão do Kit opcional do sensor de temperatura PT-100 para baterias de chumbo-ácido

A instalação do Kit opcional do sensor de temperatura PT-100 (referência ABH7203) permite realizar cargas ótimas do sistema de armazenamento em função da temperatura, prolongando assim a vida útil das baterias de chumbo-ácido.

Ao longo deste capítulo, são explicados os requisitos e o processo para conectar o kit no equipamento. Leia atentamente antes de iniciar o processo de conexão.

9.1. Instruções de segurança para a conexão do Kit opcional do sensor de temperatura PT-100 para baterias de chumbo-ácido

⚠ ATENÇÃO

Antes de começar a realizar as conexões, certifique-se de que não haja tensão no inversor. Verificar se as proteções da rede/gerador, das cargas críticas, do sistema de armazenamento e do campo fotovoltaico estão abertas.

Não fornecer tensão ao equipamento até ter concluído as conexões com sucesso e o equipamento tenha sido fechado.

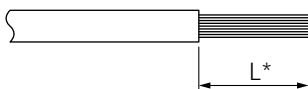
No momento de realizar as conexões, respeite as polaridades marcadas.

A Ingeteam não se responsabiliza pelos danos decorrentes de uma ligação incorreta.

9.2. Requisitos da fiação para a conexão do Kit opcional do sensor de temperatura PT-100 para baterias de chumbo-ácido

As características da fiação para a conexão do sensor de temperatura são especificadas na seguinte tabela:

INGECON SUN STORAGE 1Play TL M	
Seção fiação	0,25 mm ² ~ 1,5 mm ²
Diâmetro do tubo de cabos	5 ~ 9 mm
Comprimento da fiação para a qual se deve retirar o isolamento (C*)	8 mm



9.3. Processo de conexão do Kit opcional do sensor de temperatura PT-100 para baterias de chumbo-ácido

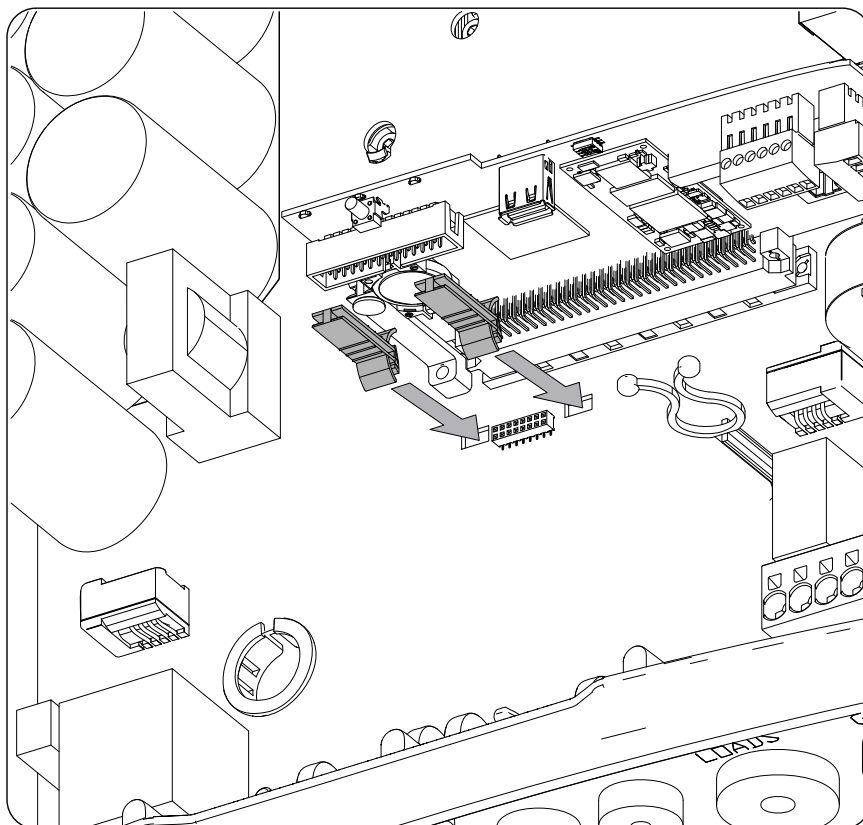
i INFO

A Ingeteam recomenda colocar o sensor em uma bateria que esteja situada na zona central do sistema de armazenamento. Deve ser colocado aproximadamente no ponto médio vertical da célula escolhida e fixado devidamente de acordo com as características da instalação.

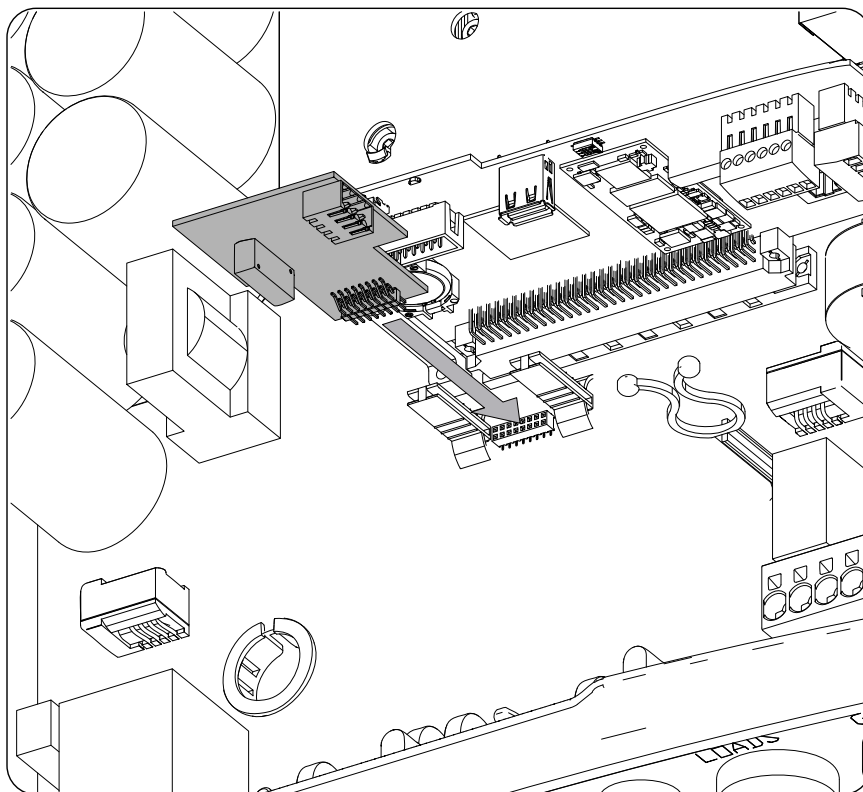
A Ingeteam recomenda o uso de sensores de temperatura de três fios.

Respeite as indicações seguintes para realizar a conexão do Kit opcional do sensor de temperatura:

1. Instale as duas guias de plástico.



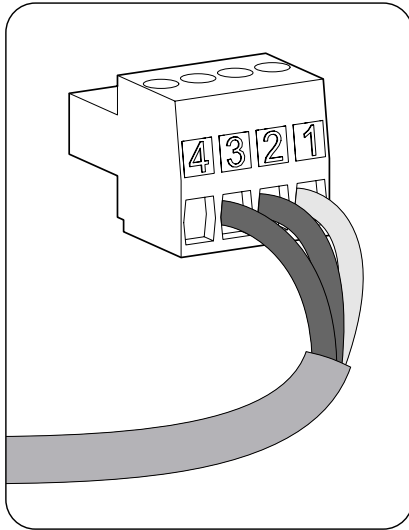
2. Com ajuda das guias instaladas no ponto anterior, conecte o cartão do kit ao cartão principal do inversor.



3. Insira a fiação do sensor de temperatura através do passa-cabos dedicado na parte inferior do inversor.

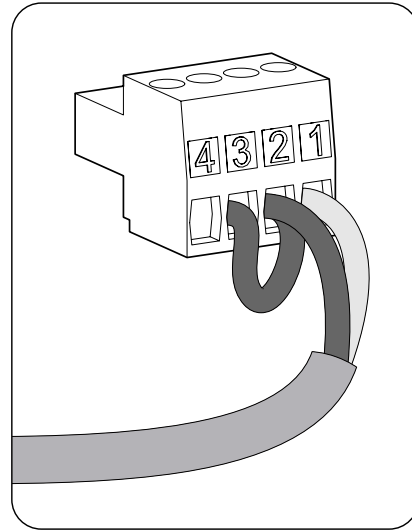
4. A Ingeteam recomenda usar um sensor de três fios, sendo possível usar um sensor de dois fios. Colocar a fiação do conector, respeitando as polaridades indicadas.

Sensor de três fios



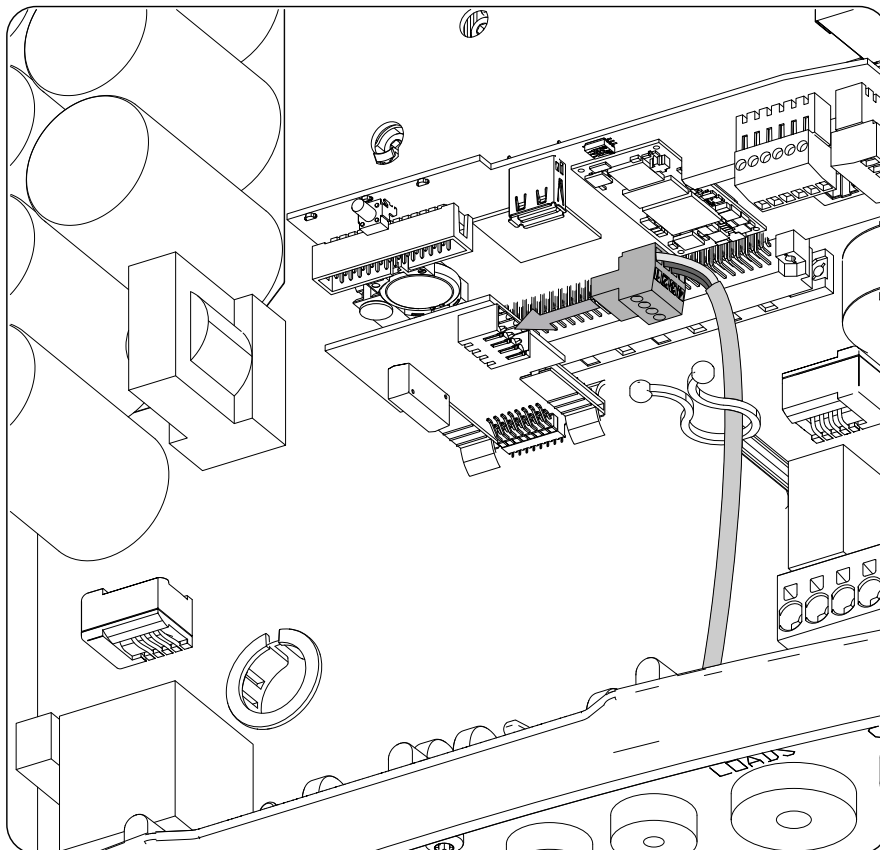
- 1: W (branco)
- 2: R (vermelho)
- 3: R (vermelho)
- 4: Não utilizado

Sensor de dois fios



- 1: W (branco)
- 2: R (vermelho)
- 3: Ponte 2-3
- 4: Não utilizado

5. Conecte a fiação ao cartão.



6. Verifique se a conexão é firme.

10. Conexão das cargas críticas

Esses equipamentos incluem uma saída AC para a conexão de cargas críticas da instalação.

Ao longo deste capítulo, são explicados os requisitos e o processo para conectar a fiação das cargas críticas no equipamento. Leia atentamente antes de iniciar o processo de conexão.

10.1. Indicações de segurança para a conexão das cargas críticas

⚠ ATENÇÃO

Antes de começar a realizar as conexões, certifique-se de que não haja tensão no inversor. Verificar se as proteções da rede/gerador, das cargas críticas, do sistema de armazenamento e do campo fotovoltaico estão abertas.

Não fornecer tensão ao equipamento até ter concluído as conexões com sucesso e o equipamento tenha sido fechado.

No momento de realizar as conexões, respeite as polaridades marcadas nas inscrições da placa eletrônica.

A Ingeteam não se responsabiliza pelos danos decorrentes de uma conexão incorreta.

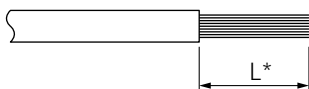
i INFO

Nos sistemas de ligação à terra TT, quando o inversor trabalha sem rede AC, o neutro das cargas críticas é conectado à terra automaticamente pelo inversor. Este equipamento inclui um relé interno dedicado para realizar esta função.

10.2. Requisitos da fiação para a conexão das cargas críticas

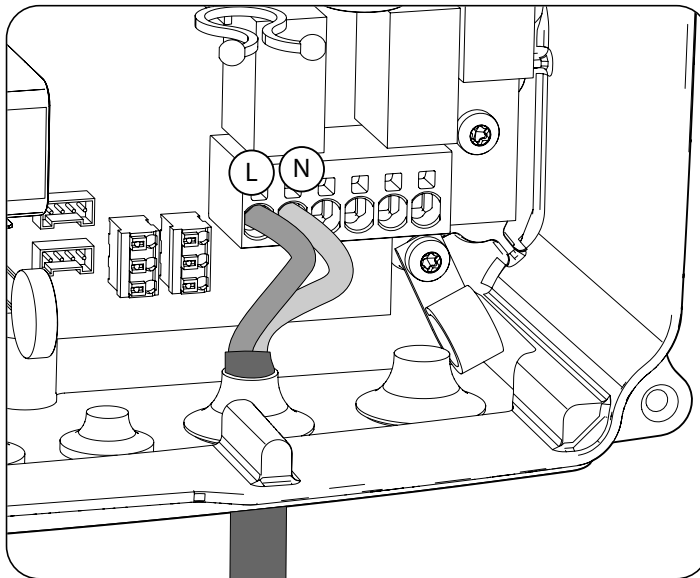
A seção da fiação para a conexão das cargas críticas é especificada na seguinte tabela:

	INGECON SUN STORAGE 1Play TL M	
	Até 32 A	
Seção máxima de fiação	6 mm ²	
Diâmetro do tubo de cabos	11 ~ 17 mm	
Comprimento da fiação para a qual se deve retirar o isolamento (C*)	18 mm	



10.3. Processo de conexão das cargas críticas

Para realizar a conexão das cargas críticas, realize os seguintes passos:



L Linha
N Neutro

1. Inserir a fiação das cargas críticas através do passa-cabos dedicado (consulte a seção [“2.5. Descrição dos acessos de fiação”](#)).
2. Conecte nos terminais de tipo *push-in* marcados como *J82 Critical Loads* respeitando as polaridades. O funcionamento deste tipo de borne está descrito em [“7. Conexão/desconexão da fiação em terminais de tipo push-in”](#).
3. Verifique a firmeza da conexão através do método *push-in*.

11. Conexão da rede/gerador auxiliar

Em função das necessidades e características da instalação, pode existir uma rede de distribuição elétrica ou um gerador auxiliar. Ao longo deste capítulo, são explicados os requisitos e o processo para conectar a fiação da rede ou do gerador auxiliar no equipamento.

⚠ PERIGO

Antes de proceder à conexão da rede, identifique o sistema de ligação à terra TT ou TN da rede. Perigo de eletrocussão devido a uma conexão errada do condutor neutro.

i INFO

Em este equipamento, é possível utilizar o sistema de ligação à terra TT e TN. É necessário selecionar o sistema usado através da configuração.

No caso de conectar o condutor neutro de forma errada, a tomada de ligação à terra das cargas críticas não funciona. Nos sistemas TT, o relé de transferência interno deve desligar o condutor neutro entre as cargas críticas e a rede/gerador auxiliar, quando o inversor não estiver conectado com a rede/gerador auxiliar. Em alternativa, nos sistemas TN, o condutor neutro deve ser o mesmo entre as cargas críticas e a rede/gerador auxiliar, por isso, ele não pode ser cortado.

11.1. Indicações de segurança para a conexão da rede /gerador auxiliar

⚠ ATENÇÃO

Antes de começar a realizar as conexões, certifique-se de que não haja tensão no inversor. Verificar se as proteções da rede/gerador, das cargas críticas, do sistema de armazenamento e do campo fotovoltaico estão abertas.

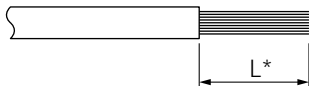
Não fornecer tensão ao equipamento até ter concluído as conexões com sucesso e o equipamento tenha sido fechado.

No momento de realizar as conexões, respeite as polaridades marcadas nas inscrições da placa eletrônica.

11.2. Requisitos da fiação para a conexão da rede/gerador auxiliar

A seção da fiação para a conexão da rede/gerador auxiliar é especificada na seguinte tabela:

	INGECON SUN STORAGE 1Play TL M	
	Até 32 A	
Seção máxima de fiação	6 mm ²	
Diâmetro do tubo de cabos	11 ~ 17 mm	
Comprimento da fiação para a qual se deve retirar o isolamento (C*)	18 mm	



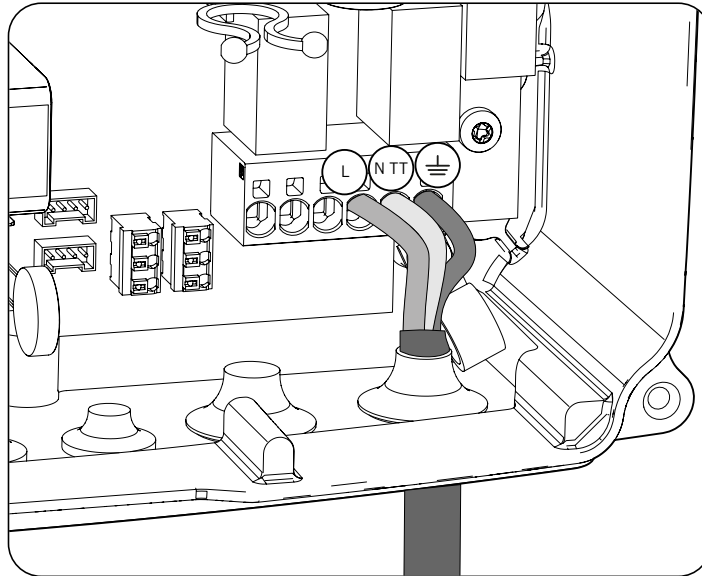
11.3. Processo de conexão da rede/gerador auxiliar

⚠ ATENÇÃO

Para sistemas TT ou TN, é necessário conectar um cabo de terra ao terminal de terra do inversor.

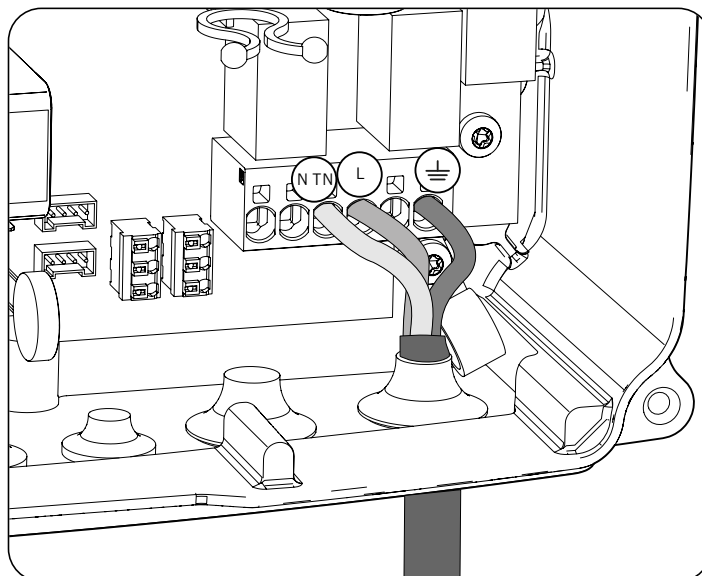
Dependendo do sistema de ligação à terra, TT ou TN, realize os seguintes passos.

Sistema de ligação à terra TT



1. Insira o tubo de cabos através do passa-cabos marcado como *GRID/GENSET*.
2. Insira os respectivos cabos nos terminais de tipo push-in *J82 GRID*, respeitando a polaridade. O conector neutro deve ser conectado no terminal *J82 N_{TT}*. O funcionamento deste tipo de borne está descrito em [“7. Conexão/desconexão da fiação em terminais de tipo push-in”](#).
3. Verifique a firmeza da conexão através do método *push-in*.

Sistema de ligação à terra TN



1. Insira o tubo de cabos através do passa-cabos marcado como *GRID/GENSET*.

2. Insira os respectivos cabos nos terminais de tipo push-in *J82 GRID*, respeitando a polaridade. O conector neutro deve ser conectado no terminal *J82 N_{TN}*
3. Verifique a firmeza da conexão através do método *push-in*.

12. Conexão do campo fotovoltaico

Estes equipamentos dispõem de duas entradas MPPT para a conexão de dois campos fotovoltaicos independentes.

Ao longo deste capítulo, são explicados os requisitos e o processo para conectar a fiação dos campos fotovoltaicos ao equipamento. Leia atentamente antes de iniciar o processo de conexão.

⚠ ATENÇÃO

Os campos fotovoltaicos não podem estar aterrados, por isso, seus terminais devem estar isolados da terra.

i INFO

O inversor inicia apenas se a impedância à terra do campo fotovoltaico for superior a 18,3 kOhms.

12.1. Indicações de segurança para a conexão do campo fotovoltaico

⚠ ATENÇÃO

Antes de começar a realizar as conexões, certifique-se de que não haja tensão no inversor. Verificar se as proteções da rede/gerador, das cargas críticas, do sistema de armazenamento e dos campos fotovoltaicos estão abertas.

Não fornecer tensão ao equipamento até ter concluído as conexões com sucesso e o equipamento tenha sido fechado.

No momento de realizar as conexões, respeite as polaridades marcadas no equipamento.

A Ingeteam não se responsabiliza pelos danos decorrentes de uma conexão incorreta.

12.2. Requisitos da fiação para a conexão do campo fotovoltaico

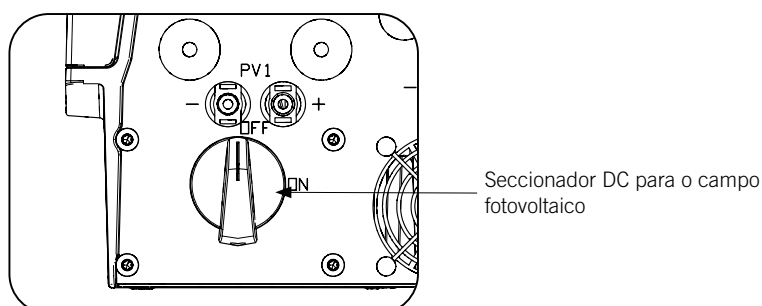
A seção da fiação para a conexão do campo fotovoltaico é especificada na seguinte tabela:

INGECON SUN STORAGE 1Play TL M	
Seção de fiação	4 ~ 6 mm ²
Tipo de conector	MC4

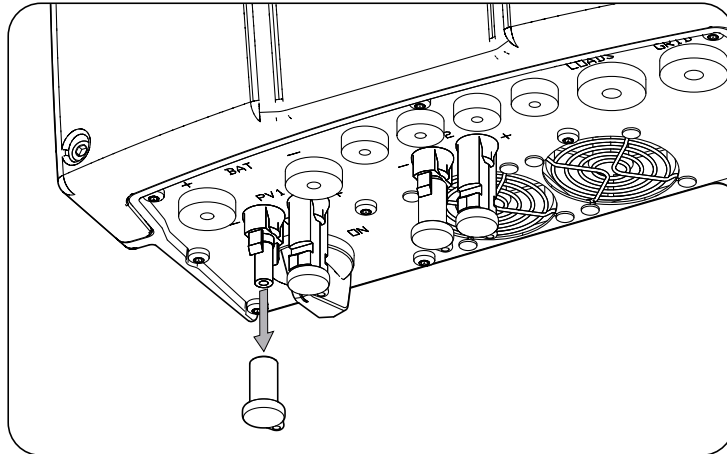
12.3. Processo de conexão do campo fotovoltaico

Para proceder à conexão do campo fotovoltaico, realize os seguintes passos:

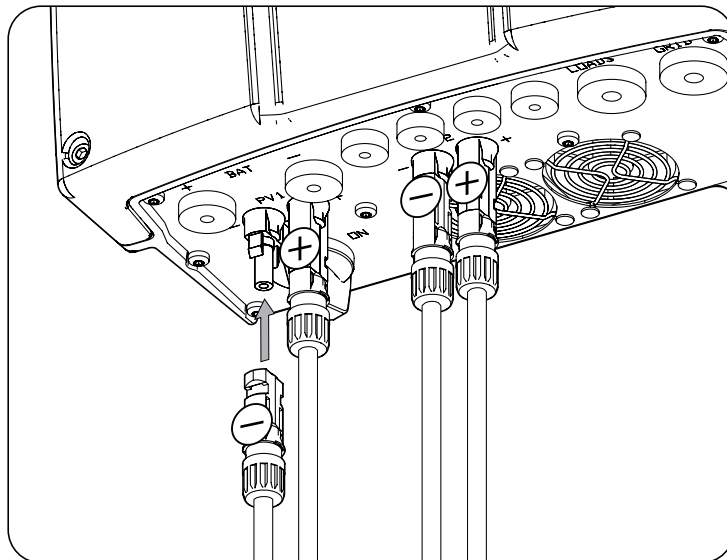
1. Certifique-se de que o seccionador DC para o campo fotovoltaico integrado na parte inferior do equipamento esteja na posição OFF.



2. Retire os tampões dos conectores rápidos.



3. Insira os conectores, respeitando as polaridades indicadas na placa de conexões inferior do equipamento.



4. Garanta a firmeza das conexões. No caso de pretender retirar os conectores aéreos, deve ser empregada a ferramenta específica para essa finalidade.

13. Conexão da comunicação RS-485 para o wattímetro externo

Em instalações de autoconsumo, o uso de um wattímetro externo no ponto de conexão com a rede de distribuição permite ao inversor ter um controle de todas as cargas existentes, tanto críticas como não críticas.

Ao longo deste capítulo, são explicados os requisitos e o processo para conectar a fiação da comunicação RS-485 para o wattímetro externo. Leia atentamente antes de iniciar o processo de conexão.

INFO

Para mais informações sobre os wattímetros compatíveis, consulte a “Lista de wattímetros compatíveis com o INGECON SUN STORAGE 1Play TL M”, disponível na página Web da Ingeteam. Caso o modelo de wattímetro não se encontre na lista, consulte a Ingeteam. Além disso, é necessário que os wattímetros que aparecem nessa lista estejam configurados com um BaudRate de 9600.

13.1. Indicações de segurança para a conexão da comunicação RS-485 para o wattímetro externo

ATENÇÃO

Antes de começar a realizar as conexões, certifique-se de que não haja tensão no inversor. Verificar se as proteções da rede/gerador, das cargas críticas, do sistema de armazenamento e do campo fotovoltaico estão abertas.

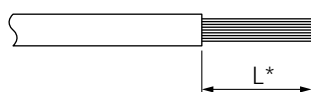
Não fornecer tensão ao equipamento até ter concluído as conexões com sucesso e o equipamento tenha sido fechado.

No momento de realizar as conexões, respeite as polaridades marcadas nas inscrições da placa eletrônica.

13.2. Requisitos da fiação para a conexão da comunicação RS-485 para o wattímetro externo

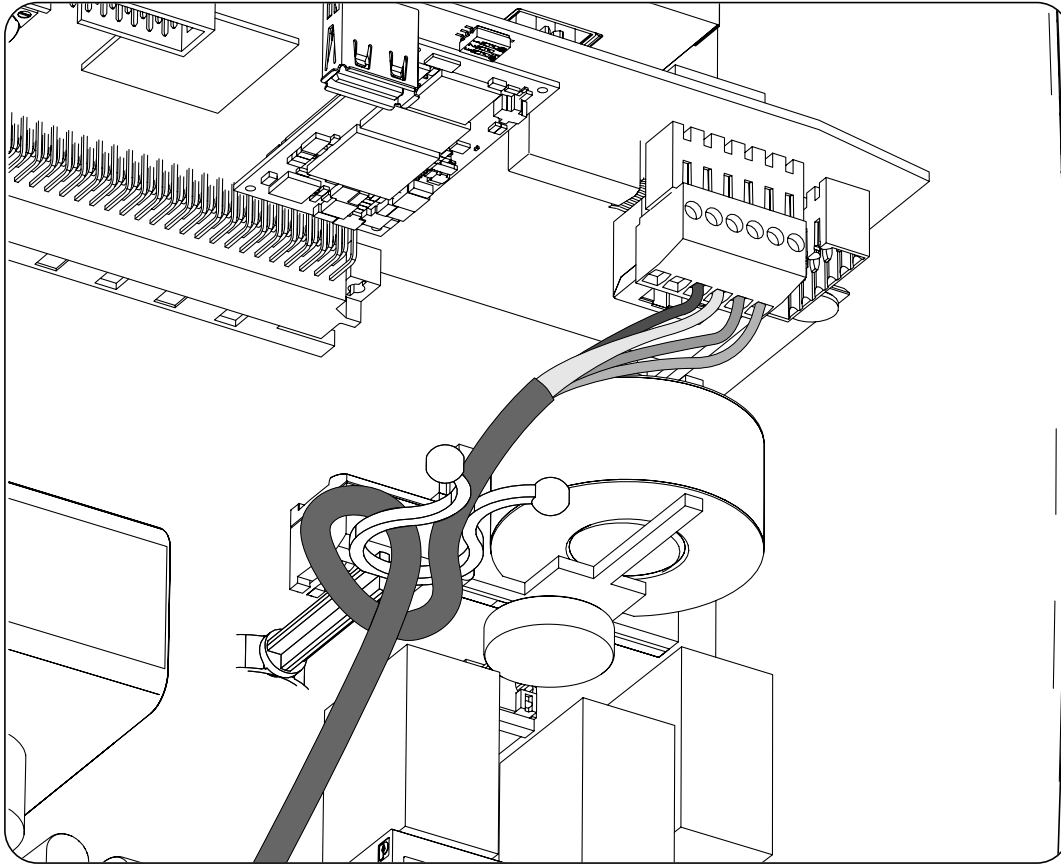
A seção da fiação para a conexão da comunicação RS-485 é especificada na seguinte tabela:

INGECON SUN STORAGE 1Play TL M	
Seção fiação	0,25 mm ² ~ 1,5 mm ²
Diâmetro do tubo de cabos	5 ~ 9 mm
Comprimento da fiação para a qual se deve retirar o isolamento (C*)	8 mm



13.3. Processo de conexão da comunicação RS-485 para o wattímetro externo

Realize os seguintes passos:



1. Inserir a fiação de comunicação RS-485 através do passa-cabos destinado a este uso (consulte a seção ["2.5. Descrição dos acessos de fiação"](#)).
2. Conecte a fiação no terminal *J8 WATTMETER* assim como indicado na figura anterior, respeitando as indicações impressas nas inscrições da placa eletrônica (*GND*, *SHIELD*, *A-*, *B+*).
3. Se necessário, oriente e fixe o cabo no suporte de plástico.
4. Verifique se a conexão é firme.

14. Conexão da comunicação CAN para baterias de íon-lítio

INFO

Consulte a listagem de baterias de íon-lítio homologadas disponível na página Web da Ingeteam.

A instalação da comunicação CAN permite ao inversor controlar as baterias de íon-lítio com BMS (*Battery Management System*).

Ao longo deste capítulo, são explicados os requisitos e o processo para conectar a fiação do sistema da comunicação CAN para baterias de íon-lítio com BMS no equipamento. Leia atentamente antes de iniciar o processo de conexão.

14.1. Indicações de segurança para a conexão da comunicação CAN em baterias de íon-lítio

ATENÇÃO

Antes de começar a realizar as conexões, certifique-se de que não haja tensão no inversor. Verificar se as proteções da rede/gerador, das cargas críticas, do sistema de armazenamento e do campo fotovoltaico estão abertas.

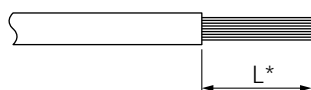
Não fornecer tensão ao equipamento até ter concluído as conexões com sucesso e o equipamento tenha sido fechado.

No momento de realizar as conexões, respeite as polaridades marcadas nas inscrições da placa eletrônica.

14.2. Requisitos da fiação para a conexão da comunicação CAN para baterias de íon-lítio

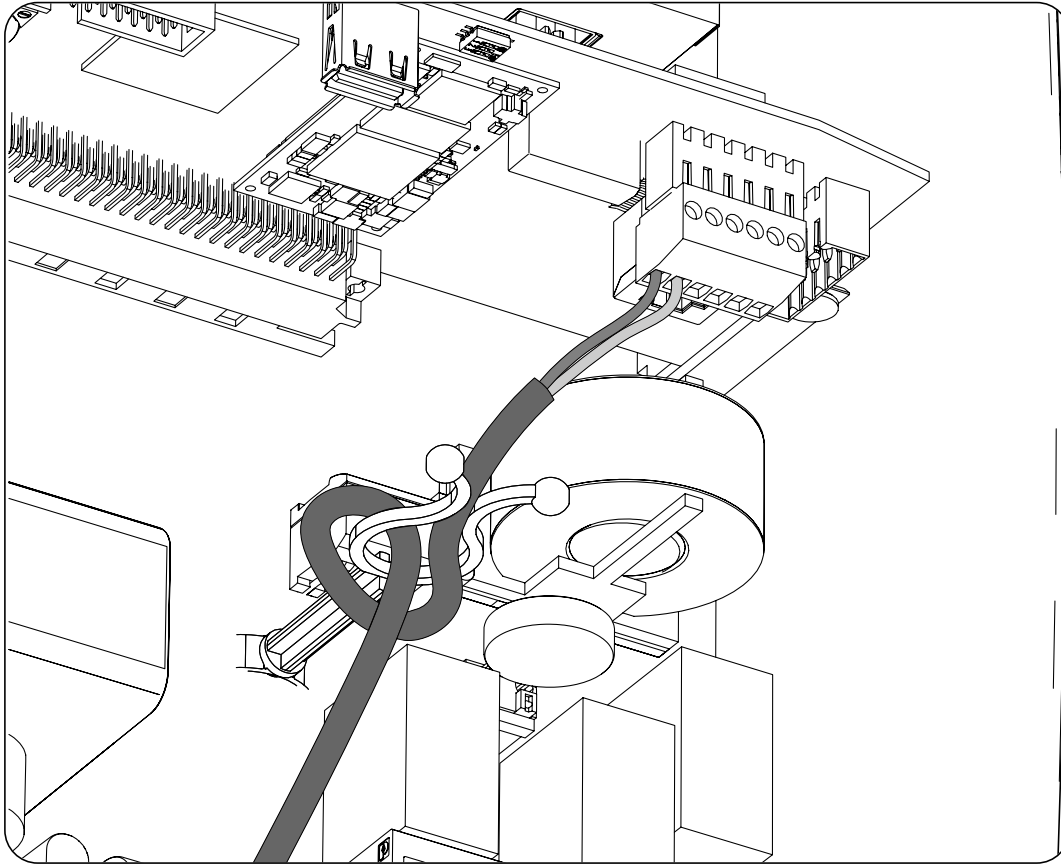
A seção da fiação para a conexão da comunicação CAN do sistema de gestão do sistema de armazenamento é especificada na seguinte tabela:

INGECON SUN STORAGE 1Play TL M	
Seção fiação	0,25 mm ² ~ 1,5 mm ²
Diâmetro do tubo de cabos	5 ~ 9 mm
Comprimento da fiação para a qual se deve retirar o isolamento (C*)	8 mm



14.3. Processo de conexão da comunicação CAN para baterias de íon-lítio

Para proceder à conexão da comunicação CAN, realize os seguintes passos:



1. Inserir a fiação de comunicação CAN através do passa-cabos destinado a este uso (consulte a seção [“2.5. Descrição dos acessos de fiação”](#)).
2. Conecte a fiação no terminal *J8 BMS* tal como indica a figura anterior, respeitando as polaridades impressas nas inscrições do cartão eletrônico (CAN_L, CAN_H).
3. Se necessário, oriente e fixe o cabo no suporte de plástico.
4. Verifique se a conexão é firme.

15. Conexão das saídas digitais

Estes equipamentos dispõem de dois contatos livres de potencial. Ambas as saídas digitais dispõem de um contato Normalmente Aberto (NO) de 5 A 250 Vac e de um contato Normalmente Fechado (NC) de 2 A 250 Vac. Podem ser configuradas para diferentes finalidades.

Ao longo deste capítulo, são explicados os requisitos e o processo para conectar a fiação das saídas digitais no equipamento. Leia atentamente antes de iniciar o processo de conexão.

15.1. Indicações de segurança para a conexão das saídas digitais

ATENÇÃO

Antes de começar a realizar as conexões, certifique-se de que não haja tensão no inversor. Verificar se as proteções da rede/generador, das cargas críticas, do sistema de armazenamento e do campo fotovoltaico estão abertas.

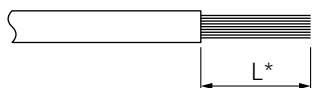
Não fornecer tensão ao equipamento até ter concluído as conexões com sucesso e o equipamento tenha sido fechado.

No momento de realizar as conexões, respeite as polaridades marcadas nas inscrições da placa eletrônica.

15.2. Requisitos da fiação para a conexão das saídas digitais

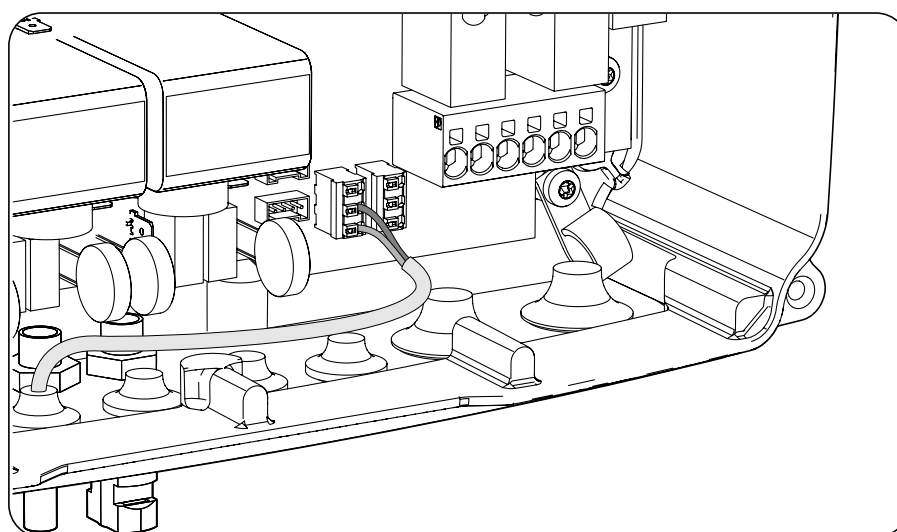
A seção da fiação para a conexão das saídas digitais é especificada na seguinte tabela:

INGECON SUN STORAGE 1Play TL M	
Seção fiação	0,25 mm ² ~ 1,5 mm ²
Diâmetro do tubo de cabos	5 ~ 9 mm
Comprimento da fiação para a qual se deve retirar o isolamento (C*)	8 mm



15.3. Processo de conexão das saídas digitais

Para realizar a conexão das saídas digitais, realize as seguintes indicações.



Saída digital 1	J36 EXT RELAY 1
Saída digital 2	J44 EXT RELAY 2

1. Inserir a fiação de comunicação CAN através do passa-cabos destinado a este uso [“2.5. Descrição dos acessos de fiação”](#).
2. Caso se pretenda utilizar o contato Normalmente Aberto, conecte a fiação nas posições NO e COM dos terminais *J36 EXT. 1 RELAY* e/ou *J44 EXT. 2 RELAY* tal como indica a figura anterior.
3. Caso se pretenda utilizar o contato Normalmente Fechado, conecte a fiação nas posições NC e COM dos terminais *J36 EXT. 1 RELAY* e/ou *J44 EXT. 2 RELAY* tal como indica a figura anterior.
4. Verifique se a conexão é firme.

16. Conexão das entradas digitais

Estes equipamentos incluem uma entrada DRMO necessária para cumprir a regulamentação australiana AS4777.2, e duas entradas digitais configuráveis para diferentes finalidades.

Ao longo deste capítulo, são explicados os requisitos e o processo para conectar a fiação das entradas digitais no equipamento. Leia atentamente antes de iniciar o processo de conexão.

16.1. Indicações de segurança para a conexão da entrada digital

ATENÇÃO

Antes de começar a realizar as conexões, certifique-se de que não haja tensão no inversor. Verificar se as proteções da rede/gerador, das cargas críticas, do sistema de armazenamento e do campo fotovoltaico estão abertas.

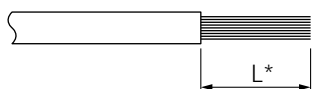
Não fornecer tensão ao equipamento até ter concluído as conexões com sucesso e o equipamento tenha sido fechado.

No momento de realizar as conexões, respeite as polaridades marcadas nas inscrições da placa eletrônica.

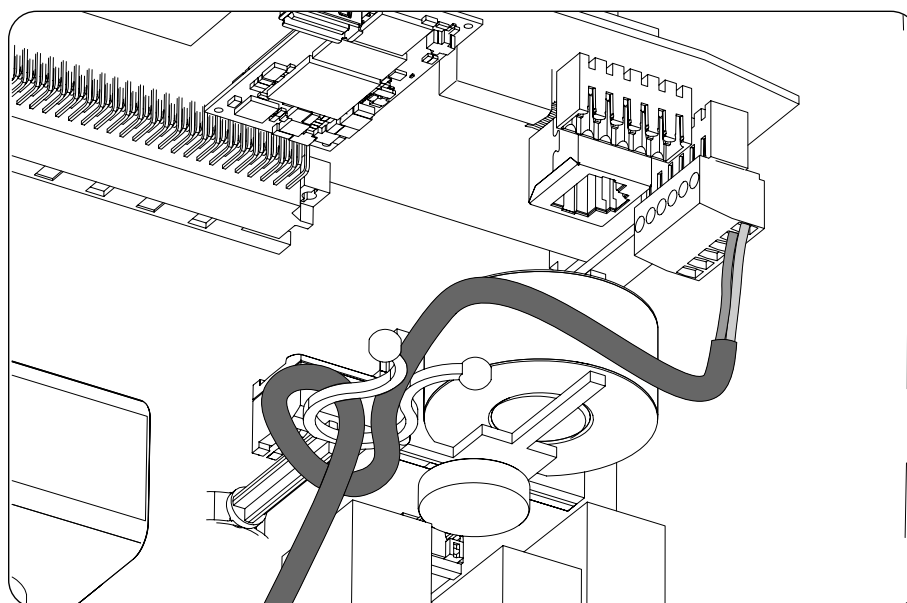
16.2. Requisitos da fiação para a conexão da entrada digital

A seção da fiação para a conexão das entradas digitais é especificada na seguinte tabela:

INGECON SUN STORAGE 1Play TL M	
Seção fiação	0,25 mm ² ~ 1,5 mm ²
Diâmetro do tubo de cabos	5 ~ 9 mm
Comprimento da fiação para a qual se deve retirar o isolamento (C*)	8 mm



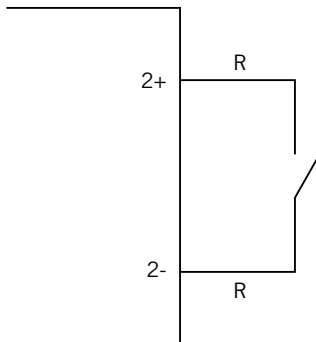
16.3. Processo de conexão das entradas digitais



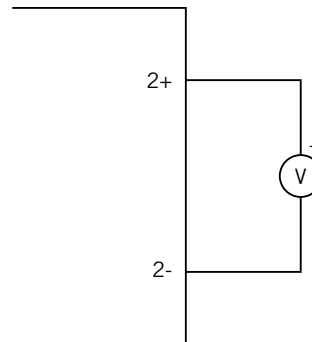
Hardware tipo B	
Entrada digital DRMO	J11 DIGITAL INPUT DRMO
Entrada digit. 2	J11 DIGITAL INPUT 2
Entrada digit. 3	J11 DIGITAL INPUT 3

A entrada digital *DRMO* é necessária para cumprir a regulamentação australiana AS4777.2, onde um dispositivo externo denominado *DRED* controla o equipamento através desta conexão.

As entradas 2 e 3 podem ser configuradas para diferentes finalidades (consulte [“19.7.13. Configurar as entradas digitais”](#)) e utilizadas com um contato livre de potencial ou com uma fonte de tensão, ambos externos ao equipamento.



Contato externo de potencial livre



Fonte de alimentação externa

A tabela de verdade para estas entradas é a seguinte.

Conector		CPU
Contato de potencial livre	Nível de tensão	
Aberto	5 V ~ 24 V	“0”
Fechado (R < 100 Ohm)	0 V	“1”
Fechado (R > 100 Ohm)	1 V ~ 5 V	X

Para conectar as entradas digitais, siga a ordem seguinte:

1. Inserir a fiação através do passa-cabos destinado a este uso (consulte a seção [“2.5. Descrição dos acessos de fiação”](#)).
2. Conecte a fiação no terminal J11 DIGITAL INPUT tal como indica a figura anterior, respeitando as polaridades impressas nas inscrições do cartão eletrônico.
3. Se necessário, oriente e fixe o cabo no suporte de plástico.
4. Verifique se a conexão é firme.

17. Conexão de Ethernet TCP

Estes equipamentos incluem comunicação Wi-Fi e Ethernet TCP.

Para a comunicação sem fio com o inversor, ele tem instalada no seu interior uma antena Wi-Fi.

Para a comunicação por cabo, é necessário usar um cabo Ethernet TCP.

Ao longo desse capítulo, é explicado o processo para conectar a comunicação Ethernet TCP.

17.1. Indicações de segurança para a conexão de Ethernet TCP

⚠ ATENÇÃO

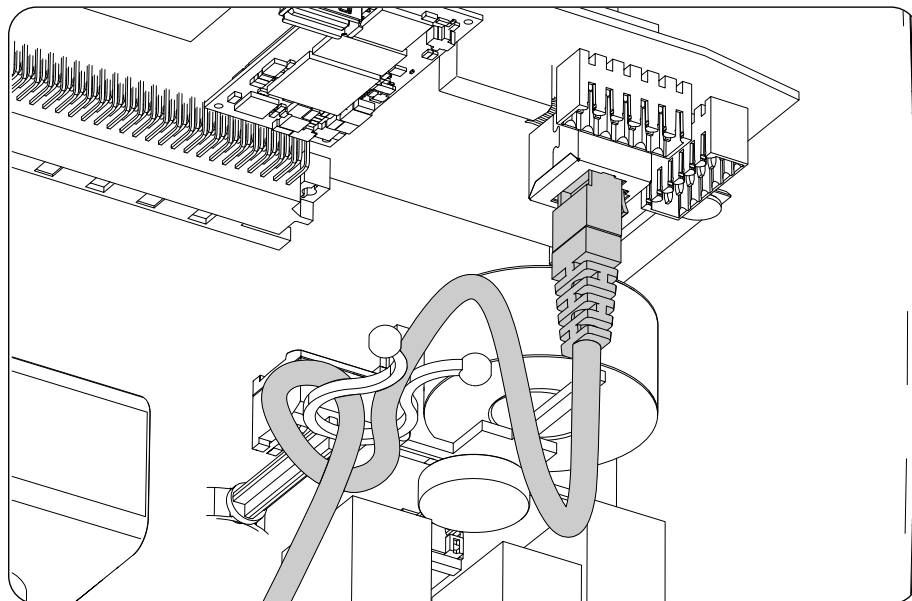
Antes de começar a realizar as conexões, certifique-se de que não haja tensão no inversor. Verificar se as proteções da rede/gerador, das cargas críticas, do sistema de armazenamento e do campo fotovoltaico estão abertas.

Não fornecer tensão ao equipamento até ter concluído as conexões com sucesso e o equipamento tenha sido fechado.

17.2. Processo de conexão de Ethernet TCP

Para conectar a fiação de Ethernet TCP, realize os seguintes passos:

1. Inserir o cabo de comunicação Ethernet TCP sem o conector RJ45 através do passa-cabos destinado a este uso (consulte a seção [“2.5. Descrição dos acessos de fiação”](#)).
2. Crimpe o conector RJ45 ao cabo Ethernet TCP.
3. Conecte a fiação Ethernet TCP no conector *J10*.



4. Se necessário, oriente e fixe o cabo no suporte de plástico.
5. Verifique se a conexão é firme.

18. Colocação em funcionamento

Ao longo deste capítulo, é descrito o processo a seguir para a colocação em funcionamento do equipamento.

18.1. Revisão do equipamento

É necessário verificar se o estado da instalação está correto antes da colocação em funcionamento.

Cada instalação varia de acordo com as suas características, o país onde se encontra ou outras condições especiais aplicáveis. Em qualquer caso, antes de colocar o equipamento em funcionamento, deve ser assegurada que a instalação cumpra a legislação e regulamentações aplicáveis e que esteja concluída (pelo menos a parte que será colocada em funcionamento).

18.1.1. Inspeção

Antes de colocar os inversores em funcionamento, deve-se realizar uma revisão geral dos equipamentos que consista, sobretudo, no seguinte:

Revisão da fiação

- Verificar se os cabos estão unidos corretamente aos respectivos conectores da parte inferior da armação.
- Verifique se esses cabos estão em bom estado e se no respectivo ambiente não existem perigos que possam deteriorá-los, como fontes de calor intenso, objetos que possam originar o seu corte ou disposições que os submetam ao risco de impactos ou esticões.

Revisão da fixação do equipamento

Verificar se o equipamento está bem fixado e se não corre perigo de cair.

18.1.2. Fechamento hermético do equipamento

Nas operações de instalação, certifique-se de que as operações de conexão do equipamento não alteraram o grau de estanqueidade do equipamento.

Verifique se o ajuste dos conectores e dos passa-cabos está correto.

Tampa

Se a tampa frontal tiver sido aberta em algum momento, prenda-a ao equipamento através de seus quatro parafusos, cumprindo as seguintes instruções:

1. Assegure-se de que a tampa está corretamente alinhada com o móvel. É possível comprovar isto facilmente ao verificar se os orifícios da tampa e do móvel ficam concêntricos.
2. Lubrifique os parafusos. Sempre que o equipamento for aberto, é obrigatório lubrificar os parafusos antes de voltar a instalá-los, para evitar o aperto excessivo e a gripagem dos mesmos.
3. Insira manualmente os quatro parafusos nos respectivos orifícios roscados, começando com o do canto superior direito, depois com o do canto inferior esquerdo e, por último, com os outros dois.
4. Enrosque os parafusos até aplicar um par de aperto máximo em cada um deles de 5 Nm com uma ferramenta calibrada.
5. Verifique a conservação da respectiva estanqueidade.

A garantia não cobre os danos causados pelo fechamento inadequado do equipamento.

18.2. Colocação em funcionamento

ATENÇÃO

É obrigatório realizar as tarefas indicadas neste ponto com o equipamento fechado, evitando desta forma possíveis contatos com elementos em tensão.

Uma vez realizada a inspeção visual geral, a revisão da fiação e a revisão do fechamento correto, alimente o equipamento a partir do banco de baterias e/ou a partir do campo fotovoltaico.

Certifique-se de que o seccionador DC para o campo fotovoltaico esteja na posição ON.

Se depois de alguns segundos o inversor não apresentar atividade nos LED do painel destacável, verifique se foram respeitadas as polaridades indicadas nas conexões das baterias e/ou do campo fotovoltaico.

18.2.1. Primeira configuração do equipamento

i
INFO



Para obter mais informações sobre a colocação em funcionamento do inversor, visite a página Web https://www.ingeconsuntraining.info/?page_id=25439

Para controlar o inversor através de um smartphone ou tablet, é necessário instalar o aplicativo INGECON SUN Monitor, disponível na Apple Store e Play Store.









<https://apps.apple.com/br/app/ingecon-sun-monitor/id1434881715>


<https://play.google.com/store/apps/details?id=com.ingeteam.ingecon.sunmonitor>

Graças à interface do usuário na Web, o inversor é configurado de forma simples e rápida, tanto em instalações isoladas como conectadas com a rede, através de um computador ou smartphone.

O inversor atua como um ponto de acesso Wi-Fi por padrão, gerando uma rede SoftAP com um SSID do tipo *Ingeteam_1GMxxxxxAxx_MMMM*. Por padrão, esta rede está protegida pela senha *ingeconsun*.

Siga as indicações para estabelecer uma conexão local com o inversor e configurá-lo:

Conexão com um smartphone ou tablet

1. Instale o aplicativo INGECON SUN Monitor.
2. Registre-se como instalador autorizado e acesse o ícone  para se conectar localmente ao inversor.
3. Siga os passos indicados para acessar o aplicativo Web do equipamento.

Conexão com o computador

1. Conectar-se à rede Wi-Fi gerada pelo inversor.
2. No navegador Web, acesse o endereço <http://169.254.1.1>. É necessário se registrar como instalador autorizado.

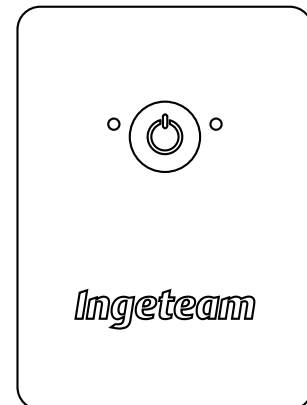
Por ser a primeira conexão, um assistente nos indica os passos a seguir para realizar uma configuração ideal do equipamento.

19. Utilização do equipamento

A gestão do funcionamento do inversor é realizada através do painel de controle e do aplicativo Web.

Para colocar em funcionamento ou parar o inversor, é possível incluir o painel de controle composto por dois botões e LED correspondentes.

A gestão completa será desenvolvida através do aplicativo Web.



19.1. Painel de controle

O painel de controle dispõe de um botão e três LED:

Botão On/Off

Altera o estado do inversor de parada para funcionamento e vice-versa. A pulsação deve ser superior a um segundo.

Este botão também está acessível no aplicativo Web.

LED de On/Off (verde/vermelho)

- Verde, intermitente: inversor arrancando.
- Verde, aceso: inversor produzindo tensão nas cargas críticas ou conectado à rede/gerador auxiliar.
- Vermelho, aceso: inversor no estado de parada manual.
- Desligado: o inversor se encontra desconectado ou sem firmware.

LED de informação de estado (laranja)

- Intermitente: o inversor tem um aviso ativo.
- Aceso: o inversor ou a bateria tem um alarme ativo.

LED de comunicações (azul)

- Intermitente: inversor tentando se conectar com o INGECON SUN Monitor.
- Aceso: inversor conectado ao INGECON SUN Monitor.
- Apagado: inversor sem conexão ao INGECON SUN Monitor.

19.2. Gestão do inversor através do aplicativo Web

O aplicativo Web permite monitorar e configurar o inversor, adaptando-o a qualquer tipo de instalação.

É possível acessar o aplicativo Web a partir diversos tipos de dispositivo (smartphone, tablet ou computador). A gestão do inversor a partir do aplicativo Web pode ser realizada localmente (inversor e dispositivo conectados na mesma rede de comunicação) ou remotamente (inversor e dispositivo conectados a redes de comunicação diferentes).

Nas seções seguintes é descrito o processo para estabelecer conexão com o inversor de forma local ou remota.

Para a conexão inicial com o inversor em modo local, na qual será configurado, existem duas vias de comunicação:

- Interface de Ethernet em modo DHCP.
- Interface Wi-Fi em modo *Access Point*.

19.3. Conectar localmente com o inversor através de sua rede Wi-Fi


INFO

A rede de comunicação Wi-Fi gerada pelo inversor é uma rede com uma frequência sem fio de 2.4 GHz.

O inversor tem uma etiqueta colada na qual são indicados o SSID e senha da rede Wi-Fi (*Default local Wi-Fi access point*).

O inversor atua como um ponto de acesso Wi-Fi, gerando uma rede SoftAP. Para realizar uma conexão local a esta rede, realize os seguintes passos:

Conexão com um smartphone ou tablet

1. Instale o aplicativo INGECON SUN Monitor.
2. Registre-se como instalador autorizado e acesse o ícone  para se conectar localmente ao inversor.
3. Siga os passos indicados para acessar o aplicativo Web do equipamento.

Conexão com o computador

1. Conectar-se à rede Wi-Fi gerada pelo inversor.
2. No navegador Web, acesse o endereço <http://169.254.1.1>. É necessário se registrar como instalador autorizado.
3. Acesse através do usuário e senha definidos na etiqueta colada no inversor (*Default local access login*).

19.4. Conectar o inversor com uma rede Wi-Fi

INFO

A rede de comunicação Wi-Fi a que pretende conectar o inversor deve ser uma rede com uma frequência sem fio de 2.4 GHz.

A Ingeteam estabelece que o nível mínimo de sinal Wi-Fi recebido pelo inversor tem que ser superior a 50 % (-75 dBm) para garantir uma conectividade ótima.

Caso se deseje conectar o inversor a uma rede Wi-Fi existente, realize os seguintes passos:

1. Conexão local ao inversor (consulte [“19.3. Conectar localmente com o inversor através de sua rede Wi-Fi”](#)).
2. Acesse o menu Comms na parte superior.
3. No painel esquerdo, selecione Wi-Fi.
4. Pressione *CONNECT to Wi-Fi Network*. Em seguida, é demonstrada uma lista de redes Wi-Fi disponíveis. Selecione a rede desejada e insira a senha caso seja necessário.

INFO

No caso em que o nome de identificação SSID de uma rede Wi-Fi não possa ser mostrado ao usuário, insira o nome da rede no campo *Custom SSID*.

19.5. Conectar remotamente com o inversor

Para conectar remotamente com o inversor, é necessário que ele esteja conectado com a Internet através de uma rede Wi-Fi ou através de Ethernet. Quando estiver conectado à Internet, realize os seguintes passos:

1. Entrar no INGECON SUN Monitor.
2. Criar uma unidade com o *Device ID* e *Password* do inversor. Ambos os dados estão impressos no autocolante presente no inversor.

3. Acessar a unidade para ver o monitoramento da instalação. Além disso, é possível acessar o aplicativo Web do equipamento.

INFO

Ter em conta os seguintes requisitos:

- O inversor deve estar conectado a uma rede local, com saída de Internet nas portas UDP80 (ou UDP1194) e TCP8883.
- O dispositivo a partir do qual se realiza a conexão remota deve ter uma saída de Internet nas portas TCP80, TCP22 e TCP9001.

Os roteadores têm, por defeito, as portas necessárias para a comunicação remota sempre abertas. Caso contrário, solicite ao administrador da rede a abertura dessas portas.

Verifique se a porta de conexão e a máscara de rede estão corretas, caso contrário o inversor não terá acesso à Internet. O inversor trabalha por DHCP, por defeito, não sendo necessária a configuração desses parâmetros em uma rede com servidor DHCP.

Caso você deseje configurar o inversor com um IP fixo, consulte as propriedades de configuração da rede a partir de um computador ou outro dispositivo que se encontre na mesma rede ou solicite ao administrador de rede.

19.6. Monitoramento do inversor

Estes inversores podem ser monitorados a partir do aplicativo Web, de forma local ou remota. Neste aplicativo Web também está disponível a visualização gráfica dos dados do inversor.

Para consultar todas as variáveis do inversor, acesse o menu de monitoramento.

Graças ao *Energy Management System (EMS)* incorporado no inversor, a instalação pode ser monitorada remotamente através de computador ou tablet/smartphone com o aplicativo gratuito INGECON SUN Monitor, disponível na Play Store e na App Store.

19.6.1. Monitoramento por Modbus-TCP

O gestor energético EMS deste inversor usa o protocolo Modbus-TCP. Além disso, a maioria dos sistemas SCADA baseados em comunicação por Ethernet ou Wi-Fi também usa o protocolo Modbus-TCP standardizada.

A Ingeteam recomenda apenas um único cliente conectado à porta 502 e com um período de solicitação por Modbus-TCP ao equipamento não inferior a 1 segundo, não solicitando mais de 10 registros por solicitação. Caso contrário, não se garante um correto envio dos dados do inversor.

19.7. Configuração do inversor

INFO

O acesso ao menu de configuração só é permitido a instaladores (pessoal qualificado). Para isso, é necessário se registrar como instalador o aplicativo Web.

A Ingeteam não se responsabiliza pela má utilização do usuário e da senha do instalador.

Estes inversores no seu aplicativo Web dispõem de uma configuração básica (wizard) que permite configurar de forma básica o equipamento e adaptá-lo aos diferentes modos de funcionamento. Para executar manualmente o wizard acesse o menu *Configuration > Setup Wizard > Launch guided wizard*.

Além do wizard, esses equipamentos dispõem de um menu de configuração avançada para instaladores experientes.

Ao longo deste capítulo, são explicadas as funcionalidades mais relevantes que podemos realizar a partir deste menu.

19.7.1. Configurar o tipo de bateria

⚠ ATENÇÃO

A seleção do tipo de bateria no processo de configuração deve ser realizada com precaução. A Ingeteam não oferece nenhuma garantia no caso de configurar de forma errada o tipo de baterias no inversor.

Por exemplo, caso se selecione no inversor uma bateria de chumbo-ácido quando a bateria é, na verdade, de íon-lítio, ela pode ser danificada.

Estes inversores podem trabalhar com baterias de chumbo-ácido e com baterias de íon-lítio.

Baterias de chumbo-ácido

Para que as baterias de chumbo-ácido funcionem corretamente e se evitem sobrecargas e descargas completas com segurança, é necessário configurar vários parâmetros relativos ao modelo de bateria instalado. Para isso, acesse a *Configuration > Advanced Settings > Lead-Acid Battery Settings*.

⚠ ATENÇÃO

Uma configuração errada desses parâmetros pode reduzir a vida da bateria. A Ingeteam não se responsabiliza pelas consequências derivadas de uma configuração incorreta do equipamento por parte do usuário e/ou instalador.

Parâmetro	Descrição
Nominal Voltage	Tensão nominal do banco de baterias (V).
Minimum Voltage	Tensão mínima do banco de baterias para evitar descargas completas, parando inclusive o fornecimento para os consumos das baterias (V).
Time for Minimum voltage	Duração da tensão mínima do banco de baterias. Tempo durante o qual se deve manter o banco de baterias na tensão mínima para evitar descargas completas (segundos).
Capacity (C20h)	Capacidade C20 especificada pelo fabricante da bateria (Ah). Este parâmetro é utilizado para determinar com precisão o estado de carga da bateria (SOC).
Capacity (C5h)	Capacidade C5 especificada pelo fabricante da bateria (Ah). Este parâmetro é utilizado para determinar com precisão o estado de carga da bateria (SOC).
Maximum Charge Current	Máxima corrente de carga do banco de baterias (A).
Maximum Discharge Current	Máxima corrente de descarga do banco de baterias (A).
Absorption voltage	Tensão de absorção do banco de baterias (V). Permite realizar uma carga a tensão constante das baterias.
Flotation voltage	Tensão de flutuação do banco de baterias (V). Permite realizar uma carga completa das baterias.
Equalization voltage	Tensão de equalização do banco de baterias (V). Este parâmetro é usado quando é necessário realizar a manutenção das baterias de eletrólito líquido. Consulte o fabricante da bateria quanto a este parâmetro (ver "19.13. Realizar uma carga de equalização para as baterias").
Duration of Equalization charge	Duração da carga de equalização. Tempo durante o qual se deve manter o banco de baterias na tensão de equalização (minutos).

Para evitar sobrecargas e cargas incompletas da bateria de chumbo-ácido, estes inversores permitem monitorar a temperatura da bateria através do Kit opcional de sensor de temperatura PT-100 (consulte a seção ["9. Conexão do Kit opcional do sensor de temperatura PT-100 para baterias de chumbo-ácido"](#)). Este kit permite adaptar sempre a tensão de carga à temperatura atual da bateria. Para isso, deve-se instalar o referido kit e um sensor PT-100 e configurar o inversor, ativando a compensação automática da temperatura.

A temperaturas iguais ou superiores a 20 °C, o inversor diminui a tensão de carga da bateria. A temperaturas abaixo de 20 °C, o inversor aumenta a tensão de carga da bateria. Para modificar a constante de compensação em mV/°C/Célula e/ou ativar a compensação automática da temperatura, acesse *Configuration > Advanced Settings > Lead-Acid Battery Settings*.

Parâmetro	Descrição
Mode	Permite ativar ou desativar a compensação automática da temperatura das baterias de chumbo-ácido.

Parâmetro	Descrição
Temperature compensation	Temperatura de compensação de uma célula, em $-mV/^{\circ}C/Cell$. Consulte o datasheet da bateria. O valor, por defeito, é de $-4 mV/^{\circ}C/Cell$.

Baterias de íon-lítio

As baterias de íon-lítio adequadas para funcionar com o INGECON SUN STORAGE 1Play contam com a sua própria gestão avançada de baterias, habitualmente programada pelo fabricante e integrada nas baterias (BMS). A Ingeteam não pode influenciar, de forma alguma, no modo de funcionamento desta gestão avançada de baterias externa.

INFO

Para obter mais informações sobre as baterias de íon-lítio compatíveis, consulte a "Lista de baterias de íon-lítio aprovadas para o INGECON SUN STORAGE 1Play TL M", disponível na página Web da Ingeteam.

Caso o modelo de baterias não se encontre na lista, consulte a Ingeteam.

19.7.2. Configurar o inversor para que trabalhe apenas com campo fotovoltaico, sem baterias

Esses inversores podem trabalhar apenas a partir do campo fotovoltaico, sem usar a entrada de baterias. Para isso:

1. Acesse a *Configuration > Advanced Settings > Type of Battery*.
2. Selecione como *No Configuration*.

Neste modo de funcionamento, se a rede estiver disponível, o inversor se mantém conectado inclusivamente com baixa potência fotovoltaica. Isso permite ter o equipamento ligado e, desta forma, monitorar a instalação em qualquer momento.

Para desativar esta funcionalidade acesse a *Configuration > Advanced Settings > Other Settings > Low PV Power Stop*.

19.7.3. Configurar o modo de funcionamento e respectivos parâmetros

Esses inversores podem ser utilizados em instalações isoladas e em instalações conectadas com a rede.

INFO

Para mais informações sobre este tipo de instalações, consulte o "Guia técnico para instalações com INGECON SUN STORAGE 1Play TL M", disponível na página Web da Ingeteam.

De acordo com o tipo de instalação na qual o inversor vai ser utilizado, o modo de funcionamento é diferente. Para seleccionar o tipo de modo, acesse a *Configuration > Advanced Settings > Operation Mode*.

Parâmetro	Descrição
Stand Alone	O inversor gera uma rede alternativa isolada e age como gestor da rede, garantindo o equilíbrio entre a geração fotovoltaica, o consumo e as baterias. Permite a conexão de um gerador auxiliar para carregar as baterias em caso de déficit de energia.
UPS	Este modo de funcionamento foi projetado para sistemas conectados à rede de distribuição, onde as quedas de rede são frequentes e prolongadas. Durante uma queda de rede, a energia armazenada nas baterias é utilizada para alimentar as cargas. Para isso, enquanto a rede estiver presente, as baterias se mantêm carregadas e a energia fotovoltaica é utilizada para abastecer os consumos, reduzindo o consumo de energia a partir da rede. A injeção para a rede de excedentes fotovoltaicos é configurável pelo usuário.
Self Consumption	O inversor gerencia os fluxos de energia dentro da instalação para minimizar o consumo a partir da rede de distribuição e aumentar o abastecimento automático. Neste modo de funcionamento, é possível ativar a funcionalidade adicional <i>Battery-Back Up</i> . Com essa funcionalidade, perante uma queda de rede de distribuição, o inversor proporciona a energia necessária às cargas críticas a partir das baterias e fotovoltaica. A injeção para a rede de excedentes fotovoltaicos e o agendamento de carga de baterias a partir da rede é configurável pelo usuário.

Uma vez selecionado o modo de funcionamento do inversor, é necessário configurar os seguintes parâmetros:

Modo de funcionamento: Isolado	
Parâmetro	Descrição
SOC Max	Estado de carga máximo para carregar as baterias a partir da energia fotovoltaica (%).
SOC Off	Estado de carga máximo para carregar as baterias a partir do gerador. Além disso, desconecta o gerador se tiver iniciado por SOC On (%).
SOC On	Estado de carga mínimo para iniciar o gerador auxiliar (%).
SOC Recx	Estado de carga acima do qual se reinicia o fornecimento de energia para as cargas, uma vez que tem origem a partir de SOC Descx (%).
SOC Descx	Estado de carga abaixo do qual se interrompe o fornecimento de energia para as cargas (%).

Modo de funcionamento: UPS	
Parâmetro	Descrição
SOC Max	Estado de carga máximo para carregar as baterias a partir da energia fotovoltaica (%).
SOC Grid	Estado de carga máximo para carregar as baterias a partir da rede pública (%).
SOC Recx	Estado de carga acima do qual se reinicia o fornecimento de energia para as cargas críticas, uma vez que tem origem a partir de SOC Descx(%).
SOC Descx	Estado de carga abaixo do qual se interrompe o fornecimento de energia para as cargas críticas quando a rede não está disponível (%).

Modo de funcionamento: Autoconsumo	
Parâmetro	Descrição
SOC Max	Estado de carga máximo para carregar as baterias a partir da energia fotovoltaica (%).
SOC Recovery	Estado de carga acima do qual se retoma a descarga da bateria, uma vez que tem origem a partir de SOC Min. Evita-se uma ciclagem excessiva da bateria, prolongando sua vida útil.
SOC Min	Estado de carga abaixo do qual não se permite a descarga da bateria quando a rede está disponível. É necessário alcançar SOC Recovery para retomar o autoconsumo com fornecimento de bateria.
Battery-Backup	Perante uma queda de rede, é fornecida a energia necessária às cargas críticas a partir das baterias e fotovoltaica. Se for ativada esta funcionalidade, é necessário configurar os parâmetros SOC Recx e SOC Descx.
SOC Recx	Estado de carga acima do qual se reinicia o fornecimento de energia para as cargas críticas, uma vez que tem origem a partir de SOC Descx (%).
SOC Descx	Estado de carga abaixo do qual se interrompe o fornecimento de energia para as cargas críticas quando a rede não está disponível e a função <i>Battery-Backup</i> está ativada (%).

19.7.4. Configurar a regulamentação em instalações de conexão com a rede

Em instalações conectadas à rede de distribuição, esses inversores devem trabalhar de acordo com a regulamentação aplicável na instalação.

Para selecionar a normativa aplicável, acesse a *Configuration > Advanced Settings > Grid Settings*.

Depois de configurar a regulamentação, configure a tensão e a frequência nominal. Para isso, acesse a *Configuration > Advanced Settings > AC Installation type*.

Parâmetro	Descrição
Nominal Voltage	Tensão nominal da rede AC (V).
Nominal Frequency	Frequência nominal da rede AC (Hz).

19.7.5. Configurar o sistema de ligação à terra TT/TN

PERIGO

Antes de proceder com a configuração do sistema de ligação à terra, identifique corretamente a conexão do cabo neutro da rede no equipamento (ver *"11. Conexão da rede/gerador auxiliar"*). A conexão do neutro deve estar em concordância com a configuração do sistema de ligação à terra.

Esses inversores incorporam de série um relé para a ligação à terra do neutro das cargas críticas em instalações com regime de neutro TT.

Por padrão, estão configurados com o sistema de ligação à terra TT. Isso significa que quando o equipamento trabalha em modo isolado ou sem rede, nos modos UPS e Autoconsumo, o inversor conecta o cabo neutro das cargas críticas à terra da instalação. Deste modo, um defeito à terra nas cargas críticas será detectado e protegido através do interruptor diferencial da instalação.

Para instalações com regime de neutro TN, é necessário alterar o sistema de ligação à terra do inversor a partir de *Configuration > Advanced Settings > AC Installation type > Grounding System*.

Em sistemas TN, o inversor vai manter sempre conectado o cabo neutro das cargas críticas com o neutro da rede de distribuição, tanto no modo isolado como conectado à rede.

19.7.6. Configurar a carga de baterias a partir da rede de distribuição

Em instalações conectadas com a rede de distribuição, esses inversores podem ser configurados para carregar as baterias a partir desta rede. Em função do tipo de instalação, a configuração será diferente.

Instalações UPS

Em instalações UPS, as baterias serão carregadas a partir da rede até alcançar o estado de carga SOC Grid (ver seção [“19.7.3. Configurar o modo de funcionamento e respectivos parâmetros”](#)). Para isso, é necessário estabelecer uma potência máxima de carga de baterias:

1. Acesse a *Configuration > Advanced Settings > Operation Mode > Maximum battery charging power from the Grid*.
2. Inserir a potência máxima em watts. Caso não deseje carregar as baterias a partir da rede, introduza 0 watts.

Além disso, é importante definir a potência contratada da instalação para que o inversor otimize a carga da bateria. Para estabelecer a potência contratada:

1. Acesse a *Configuration > Advanced Settings > Grid Settings > Hired Grid Power*.
2. Inserir a potência contratada em watts.

Finalmente, a carga das baterias será realizada com a potência menor entre:

- Potência máxima de carga.
- A diferença entre a potência contratada e o consumo das cargas críticas.

Instalações de autoconsumo

Em instalações de autoconsumo, o inversor permite gerenciar diariamente a carga das baterias através da rede até atingir o estado de carga *SOC Grid*. Para isso, é necessário estabelecer uma potência máxima de carga de bateria:

1. Acesse a *Configuration > Advanced Settings > Operation mode > Maximum battery charging power from grid*.
2. Inserir a potência máxima em watts. Caso não deseje carregar as baterias a partir da rede, introduza 0 watts.

Além disso, é importante definir a potência contratada da instalação para que o inversor otimize a carga da bateria. Para estabelecer a potência contratada:

1. Acesse a *Configuration > Advanced Settings > Grid configuration > Power Contracted*.
2. Inserir a potência contratada em watts.

A carga das baterias será realizada com a potência menor entre:

- Potência máxima de carga.
- A diferença entre a potência contratada e o consumo das cargas críticas.

Por outro lado, estabelece-se um agendamento para a carga da bateria a partir da rede. Para ativar o agendamento, é necessário acessar a *Configuration > Advanced Settings > Self-consumption Settings > Scheduling for Charge Battery from Grid* e definir os seguintes parâmetros:

Parâmetro	Descrição
Mode	Permite ativar ou desativar o agendamento de carga de baterias.
SOC Grid (%)	Estado de carga máximo para carregar as baterias a partir da rede pública (%).
Hour On	Em um agendamento de tipo hh:mm, estabelece a hora de início (hh) da faixa horária na qual se permite a carga de baterias.
Minute On	Em um agendamento de tipo hh:mm, estabelece o minuto de início (mm) da faixa horária na qual se permite a carga de baterias.
Hour Off	Em um agendamento de tipo hh:mm, estabelece a hora de fim (hh) da faixa horária na qual se permite a carga de baterias.
Minute Off	Em um agendamento de tipo hh:mm, estabelece o minuto de fim (mm) da faixa horária na qual se permite a carga de baterias.

19.7.7. Configurar a potência máxima de injeção de excedente fotovoltaico na rede de distribuição

Em instalações conectadas com a rede, esses inversores podem ser configurados para injetar a potência fotovoltaica restante na rede de distribuição. Deste modo, é possível vender os excedentes de energia fotovoltaica de forma automática e simples.

Para estabelecer a potência fotovoltaica máxima de injeção na rede:

1. Acesse a *Configuration > Advanced Settings > Operation Mode > Maximum surplus PV power injected into the Grid*.
2. Inserir a potência máxima em watts. Caso não deseje injetar potência fotovoltaica restante na rede, insira 0 watts.

O inversor utiliza a energia fotovoltaica de forma prioritária para abastecer os consumos e carregar a bateria. Se existe excedente de energia fotovoltaica, através deste parâmetro, o usuário pode decidir se se injeta na rede de distribuição ou se limita a produção fotovoltaica.

19.7.8. Configurar a função Battery-Backup em instalações de autoconsumo

Em instalações de autoconsumo, esses inversores permitem realizar a funcionalidade de Battery-backup. Em caso de falha da rede de distribuição, esses inversores desconectam internamente a instalação da rede de distribuição e proporcionam a energia necessária aos consumos a partir das baterias e a partir do campo fotovoltaico. Para isso, os consumos devem estar conectados ao inversor na saída de cargas críticas (consulte "[10. Conexão das cargas críticas](#)").

Esta funcionalidade está desativada por padrão. Para ativá-la, acesse *Configuration > Advanced Settings > Operation Mode > Self Consumption Settings > Battery-Backup Function*.

O tempo de resposta do sistema diante de uma queda de rede é imperceptível para a maior parte dos consumos.

Apenas nos sistemas de ligação à terra TT o inversor, através de seu relé interno, ligará automaticamente o neutro das cargas críticas à terra em caso de falha da rede.

INFO

Para mais informações sobre este tipo de instalações, consulte o "Guia técnico para instalações com INGECON SUN STORAGE 1Play TL M", disponível na página Web da Ingeteam.

Se a saída de cargas críticas do inversor não for usada, recomenda-se desativar a função Battery-backup. Desta forma, em caso de falha na rede de distribuição, o equipamento permanecerá em parada para evitar que a bateria se descarregue.

19.7.9. Configurar o gerador auxiliar em instalações isoladas

Em instalações isoladas, esses inversores podem trabalhar com um gerador auxiliar de apoio que se conecta em caso de déficit de energia e/ou para carregar a bateria.

Para configurar os parâmetros do gerador, acesse *Configuration > Advanced Settings > Generator Settings* e inserir os parâmetros do gerador.

Parâmetro	Descrição
Nominal Apparent Power	Potência aparente nominal do grupo diesel (VA). Com este parâmetro, o inversor calcula a potência disponível para carregar as baterias, tendo em conta o consumo da instalação a partir do gerador.
Minimum AC Voltage	Tensão AC mínima gerada pelo grupo diesel (V).
Maximum AC Voltage	Tensão AC máxima gerada pelo grupo diesel (V).
Minimum AC Frequency	Frequência mínima gerada pelo grupo diesel (Hz).
Maximum AC Frequency	Frequência máxima gerada pelo grupo diesel (Hz).
Vac/Fac Time	Tempo a ser mantido fora da gama Vac e Fac para desligar o gerador (ms).

A partida automática do gerador pode ser ordenada através de um comando via saída digital do inversor. Para este fim, a saída digital deve ser configurada como *Start/Stop Generator* (consultar “19.7.12. Configurar as saídas digitais”). As opções disponíveis para dar partida no gerador auxiliar através do inversor são:

Opção	Descrição
Estado de carga da bateria (SOC)	Permite a partida do gerador quando o estado de carga atinge o parâmetro SOC On ou quando a tensão da bateria é inferior à sua tensão mínima. O gerador é desligado assim que o estado de carga atinge o parâmetro SOC Off e quando a tensão da bateria está acima de sua tensão nominal. Esta opção está sempre ativada por defeito e não pode ser desativada.
Agendamento	Ao ativar essa funcionalidade, o gerador se conecta ou desconecta diariamente em um intervalo de horas definido.
Sobrecarga na rede de consumo	Ao ativar essa funcionalidade, o gerador se conecta ou desconecta de acordo com a potência consumida pelas cargas durante um tempo determinado.
Manualmente	Permite conectar/desconectar o gerador de forma manual e imediata. O gerador permanece ativo até que se ordene a respectiva desconexão por essa mesma via.
Sobrecarga na bateria	Permite a partida do gerador após a determinação de uma sobrecarga na bateria. Uma bateria é considerada sobrecarregada quando a corrente máxima de descarga da bateria é excedida duas vezes seguidas. O gerador se desliga depois de o estado de carga atingir o parâmetro SOC Off. Esta opção está sempre ativada por padrão e não pode ser desativada.
Baixa tensão AC na rede de consumo	Permite que o gerador seja ligado assim que for determinado que o inversor não pode gerar uma tensão AC ótima na saída de carga. (ver parâmetro <i>Vac L1 Limit</i> em “19.7.11. Configurar a proteção contra sobrecarga e curto-circuito na saída de cargas críticas”). O gerador se desliga depois de o estado de carga atingir o parâmetro SOC Off. Esta opção está sempre ativada por padrão e não pode ser desativada.

19.7.10. Configurar a carga das baterias a partir do gerador

Para carregar as baterias a partir do gerador auxiliar, deve ser definida uma potência máxima de carga das baterias. Para configurar este parâmetro:

1. Acesse *Configuration > Advanced Settings > Operation Mode > Maximum battery charging power from the Grid*.
2. Inserir a potência máxima em watts. Caso não deseje carregar as baterias a partir do gerador, insira 0 watts.

Assim, sempre que o inversor for ligado ao gerador, as baterias serão carregadas até que o estado de carga SOC Off seja alcançado e até que a tensão da bateria esteja acima da sua tensão nominal.

A potência de carga das baterias será realizada com a menor potência entre:

- Potência máxima de carga.
- Diferença entre a potência nominal do gerador e os consumos.

19.7.11. Configurar a proteção contra sobrecarga e curto-circuito na saída de cargas críticas

Em instalações isoladas e em instalações ligadas à rede de distribuição com a função *Battery-backup* ativada, estes equipamentos permitem proteger a saída de cargas críticas contra sobrecargas e curtos-circuitos.

Para isso, os seguintes parâmetros devem ser definidos em *Configuration > Advanced Settings > Critical Loads Settings*.

Parâmetro	Descrição
Vac L1 Limit	Limite mínimo de tensão AC que o inversor gera (%Vnom · 10). Abaixo deste limite é considerada uma tensão AC anormal para cargas críticas.
Vac L1 Time	Tempo que a tensão AC gerada pelo inversor deve ser mantida abaixo do limite Vac L1 para desligar as cargas críticas (ms).
Over-Load in Critical Loads	Permite que cargas críticas sejam desligadas se uma sobrecarga AC for detectada 3 vezes seguidas (ver Potência 30 min, 2 min, 3 s em "2.4. Tabela de características"). Por padrão, o inversor permanecerá parado até que a sobrecarga seja eliminada. Uma vez eliminada, será necessário reiniciar o inversor.
Short-Circuit in Critical Loads	Permite que cargas críticas sejam desligadas se um curto-circuito AC for detectado 3 vezes seguidas. Por padrão, o inversor permanecerá parado até que a falha seja eliminada. Uma vez eliminada, será necessário reiniciar o inversor.

19.7.12. Configurar as saídas digitais

Estes inversores dispõem de várias saídas livres de potencial, que podem ter as seguintes funcionalidades:

Opção	Descrição	Estado do contato livre de potencial normalmente aberto (NO)
No Configuration	Sem tarefa atribuída (opção por defeito)	ABERTO
Start/Stop Generator	Sinal de ativação do gerador auxiliar	Desconectar o gerador: ABERTO Conectar o gerador: FECHADO
On/Off by Communication	Controle da saída digital através de comunicações.	Off: ABERTO On: FECHADO
On-grid	Sinal para indicar que o inversor está conectado com a rede ou gerador auxiliar.	Desconectado: ABERTO Conectado: FECHADO

Para configurar as saídas digitais, acesse *Configuration > Advanced Settings > Digital Output/Input*.

19.7.13. Configurar as entradas digitais

Estes inversores têm uma entrada DRMO para o mercado australiano e duas entradas digitais, que podem ter as seguintes funcionalidades:

Opção	Descrição	Estado do contato livre de potencial/Nível de tensão
No Configuration	Sem tarefa atribuída (opção por defeito)	ABERTO/Nível alto
Start/Stop Inverter	Inicia ou interrompe o funcionamento do inversor	Colocar em funcionamento: ABERTO/Nível alto Parar: FECHADO/Nível baixo
Conectar ao gerador	Para conectar o inversor com a rede ou gerador auxiliar.	Não conectar: ABERTO/Nível alto Conectar: FECHADO/Nível baixo
Não descarregar bateria	Funcionalidade para inibir a descarga da bateria através da entrada digital.	Não permite descarga: Com curto-circuito/ Nível baixo Permite descarga: Aberta/Nível alto

Para ativar a funcionalidade da entrada DRMO, note que ela só deve ser configurada para uso com o dispositivo DRED, exigido pela norma AS4777 (Austrália).

Caso proceda à configuração sem a conexão do dispositivo externo DRED, o inversor se mantém parado.

Para configurar as entradas digitais, acesse *Configuration > Advanced Settings > Digital Output/Input*.

19.7.14. Configurar um horário para a descarga das baterias

Estes inversores podem ser configurados para descarregar as baterias em um horário predefinido. Durante o horário de descarga, é possível que a bateria seja carregada a partir dos painéis fotovoltaicos para aproveitar ao máximo a geração solar. Além disso, nas horas em que as baterias não estiverem sendo usadas, o sistema vai coletar energia dos painéis fotovoltaicos e a restante da rede pública.

Para ativar o horário de descarga, é necessário acessar a *Configuration > Advanced Settings > Self-consumption Settings > Scheduling for Battery discharge* e definir os seguintes parâmetros:

Opção	Descrição
Mode	Permite ativar ou desativar o agendamento de descarga de baterias.
Hour On	Em um agendamento de tipo hh:mm, estabelece a hora de início (hh) da faixa horária na qual se permite a carga de baterias.
Minute On	Em um agendamento de tipo hh:mm, estabelece o minuto de início (mm) da faixa horária na qual se permite a carga de baterias.
Hour Off	Em um agendamento de tipo hh:mm, estabelece a hora de fim (hh) da faixa horária na qual se permite a carga de baterias.
Minute Off	Em um agendamento de tipo hh:mm, estabelece o minuto de fim (mm) da faixa horária na qual se permite a carga de baterias.

As baterias serão descarregadas até ser atingido o valor de *SOCmin* configurado.

19.7.15. Configurar formas de fornecer serviços de qualidade à rede

Esses inversores podem contribuir para manter a qualidade da energia no ponto de conexão ou proporcionar suporte para uma rede. A intenção dos modos de resposta à voltagem é variar a potência de saída do inversor em função da voltagem nos respectivos terminais.

As formas de fornecer serviço de qualidade à rede são as seguintes:

- Algoritmo Pac vs Fac
- Algoritmo Pac vs Vac
- Algoritmo Qac vs Vac

Para obter mais informações, consulte a *Descrição e Configuração do Guia dos Parâmetros de Funcionamento*, que descreve como estabelecer os parâmetros dos algoritmos e ajustá-los em caso de necessidade. Para baixar o guia, entre em contato com o Suporte técnico.

19.8. Utilização do wattímetro interno do inversor ou do wattímetro externo

Esses equipamentos podem ser utilizados em diferentes tipos de instalações com vários tipos de cargas (críticas e/ou não críticas). Dependendo do tipo de cargas existentes na instalação, será utilizado o wattímetro interno do inversor ou um wattímetro externo.

A utilização do wattímetro interno do inversor permite apenas a gestão das cargas ligadas à saída de cargas críticas do equipamento. Ou seja, apenas a gestão de cargas críticas.

A utilização de um wattímetro externo permite gerenciar tanto as cargas críticas ligadas ao inversor como as cargas não críticas ligadas à rede de distribuição.

INFO

Para mais informações sobre os wattímetros externos compatíveis, consulte a “Lista de wattímetros compatíveis com o INGECON SUN STORAGE 1Play TL M”, disponível na página Web da Ingeteam. Caso o modelo de wattímetro não se encontre na lista, consulte a Ingeteam. Além disso, é necessário que os wattímetros que aparecem nessa lista estejam configurados com um BaudRate de 9600.

Instalações isoladas

Em instalações isoladas, é utilizado o wattímetro interno do equipamento. Todas as cargas gerenciadas estão ligadas à saída de cargas críticas do inversor.

Instalações UPS

Em instalação UPS, é utilizado o wattímetro interno do equipamento. As cargas gerenciadas são ligadas à saída de cargas críticas do inversor. As cargas não críticas ligadas a parte da rede não serão gerenciadas pelo inversor.

Instalações de autoconsumo

Nas instalações de autoconsumo, é normalmente utilizado um wattímetro externo localizado no ponto de ligação à rede. Isso permite ao inversor gerenciar todas as cargas existentes na instalação, tanto críticas como não críticas.

Apenas se todas as cargas estiverem ligadas à saída de carga crítica do inversor, pode ser utilizado o wattímetro interno do equipamento.

19.9. Atualizar o firmware do inversor

A forma mais fácil de atualizar o firmware do inversor é através do aplicativo Web, que dispõe de uma conexão à Internet.

Se não houve uma conexão à Internet, também é possível atualizar através do próprio aplicativo Web ou da porta USB do equipamento.

Atualização através do aplicativo Web, com conexão à Internet

INFO

Para realizar este processo, é necessário que o inversor esteja conectado à Internet através de uma rede Wi-Fi ou através de Ethernet.

1. Acesse o aplicativo Web a partir do navegador do dispositivo (consulte [“19.5. Conectar remotamente com o inversor”](#)).
2. Entre no menu *Update*. Caso existam atualizações disponíveis, elas surgem indicadas.
3. Instalar a atualização.

Atualização através do aplicativo Web, sem conexão à Internet

INFO

Para realizar este processo, é necessário que o arquivo de firmware ABH1007 tenha sido anteriormente baixado a partir da página Web da Ingeteam.

1. Acesse o aplicativo Web a partir do navegador do dispositivo (consulte [“19.3. Conectar localmente com o inversor através de sua rede Wi-Fi”](#)).
2. Entre no menu *Update*.
3. Selecione o arquivo de firmware baixado anteriormente.
4. Instalar a atualização.

Atualização através da porta USB

ATENÇÃO

Este procedimento pode ser realizado apenas por um instalador autorizado.

Antes de iniciar o processo de atualização do firmware através da porta USB, certifique-se de que não exista tensão no inversor. Verificar se as proteções da rede/gerador, das cargas críticas, do sistema de armazenamento e do campo fotovoltaico estão abertas.

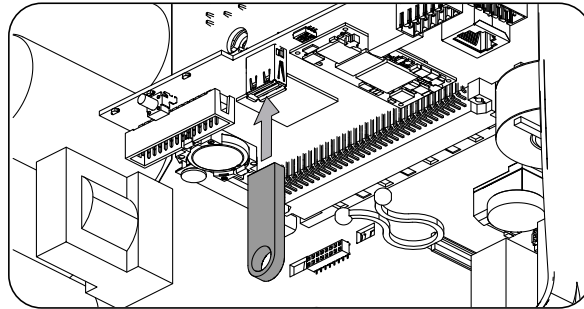
Não fornecer tensão ao equipamento até ter fechado a tampa.

INFO

Para realizar este processo, é necessário que o arquivo de firmware ABH1007 tenha sido anteriormente baixado a partir da página Web da Ingeteam.

1. Desligar o equipamento como indicado na seção [“21.1. Processo de desligamento do equipamento”](#).
2. Abrir a tampa do equipamento.

3. Conectar o dispositivo USB. O USB deve conter apenas o arquivo de firmware previamente baixado.



4. Fechar a tampa do equipamento.
5. Fornecer tensão ao equipamento a partir do banco de baterias e/ou do campo fotovoltaico.
6. A atualização será iniciada automaticamente. O LED azul piscará rapidamente durante o processo de atualização.
7. Uma vez terminada a atualização (fim do piscar rápido do LED azul), desligar novamente o equipamento, desligando todas as fontes de alimentação DC e AC.
8. Abrir a tampa do equipamento e desligar o dispositivo USB.
9. Fechar a tampa e colocar o equipamento em funcionamento.

19.10. Repor os valores de fábrica da configuração do inversor

INFO

Deve ser um instalador autorizado para realizar a reposição.

Essa reposição dos valores de fábrica afeta apenas a configuração do inversor; por isso, a configuração da comunicação Wi-Fi ou Ethernet não são restauradas de acordo com este processo.

Se quiser repor os valores de fábrica da configuração do inversor, realize os seguintes passos:

1. Acesse o aplicativo Web a partir do navegador do dispositivo.
2. Entre no menu Configuração.
3. Pressione *Restore to factory settings* para repor todas as configurações do inversor aos valores de fábrica.

Em seguida, siga o assistente para colocar o inversor em funcionamento.

19.11. Motivos de limitação da potência do inversor

Ocasionalmente, o inversor pode reduzir a potência de saída AC por diferentes razões. Se o equipamento estiver ligado a uma rede ou a um gerador auxiliar e houver uma redução de potência, a razão mais restritiva para a limitação será indicada no monitoramento do inversor.

A seguir, serão explicados os diferentes motivos de limitação de potência.

Motivos de limitação de potência		
Motivo	Código enviado pelas comunicações	Descrição
Battery Power Limited	9	Baterias. Limitação por status de carga ou configuração do sistema de armazenamento.
Self Consumption	11	Modo autoconsumo. Limitação derivada do funcionamento do modo autoconsumo.
AC Grid Power Limited	10	Potência disponível. Limitação da carga de baterias a partir da rede/gerador devido à potência disponível. Essa potência é calculada com a potência nominal (no caso do gerador) ou com a contratada (no caso da rede) menos a potência consumida pelas cargas.

Motivos de limitação de potência		
Motivo	Código enviado pelas comunicações	Descrição
Pac vs Fac Algorithm	4	Frequência de rede. Limitação devido à variação da frequência de rede. De acordo com a regulamentação aplicável.
Soft Start	5	Rampa de conexão inicial. Limitação após nova tentativa de conexão com a rede. De acordo com a regulamentação aplicável.
High Bus Voltage Protection	12	Bus DC. Limitação devido à alta tensão do bus DC interno.
LVRT or HVRT Process	13	Quedas na rede. Limitação devido a quedas na tensão de rede. De acordo com a regulamentação aplicável.
Charge Power Configured	6	Configuração. Limitação da carga de baterias a partir da rede/gerador, definida através da configuração de usuário.
Grid Consumption Protection	15	Consumo de rede. Limitação devido ao consumo de potência a partir da rede nos casos de trabalho sem baterias (apenas campo fotovoltaico) ou em casos em que as baterias não absorvam energia.
PV Surplus Injected to the Grid	16	Excedente fotovoltaico. Limitação da injeção do excedente fotovoltaico para a rede através da configuração.
Nominal AC Current	14	Potência aparente. Limitação devido à potência aparente nominal do equipamento.
PV Surplus Injected to the Loads	7	Limitação da injeção de excedente fotovoltaico às cargas devido ao funcionamento do modo UPS ou modo isolado.
Temperature	2, 3	Temperatura. Limitação por temperatura elevada no equipamento.
Pac vs Vac Algorithm	8	Tensão de rede. Limitação devido à variação da tensão de rede. De acordo com a regulamentação aplicável.
Communication	1	Limitação produzida pelo envio da ordem através de comunicações.

19.12. Carga de emergência automática da bateria

É necessário realizar uma carga de emergência quando a instalação estiver parada devido a uma descarga total das baterias.

Esta funcionalidade permite carregar as baterias até um certo nível e ter suficiente energia para restabelecer novamente o sistema.

Para que o equipamento realize uma carga de emergência, é imprescindível que as baterias estejam em um dos seguintes estados:

- Baixo nível de carga, $SOC \leq SOC_{descx}$. (Code3 "Low Battery SOC Descx").
- Tensão baixa, $V_{bat} \leq V_{mín}$. (Code2 "Low Battery Vmín").
- Em baterias de íons de lítio, quando é necessária uma carga forçada por BMS, porque a bateria está completamente descarregada.

Estes inversores podem carregar as baterias a partir de diferentes fontes de energia. De acordo com a fonte de energia que se encontre disponível, a carga de emergência é automaticamente ativada pelo inversor.

Fonte de energia disponível	Descrição
Entrada fotovoltaica do INGECON SUN STORAGE 1Play TL M	<p>O inversor detecta o campo fotovoltaico e começa automaticamente a carga das baterias. O estado do inversor indicará <i>Emergency Charge from PV</i>.</p> <p>A instalação é restabelecida quando as baterias atingirem o estado de carga SOC_{recx} configurado (consulte "19.7.3. Configurar o modo de funcionamento e respectivos parâmetros").</p>

Fonte de energia disponível	Descrição
Rede ou gerador auxiliar	<p>O inversor detecta tensão e frequência na entrada de rede AC e se conecta automaticamente à mesma. O estado do inversor indicará <i>Emergency Charge from Grid</i>.</p> <p>A instalação é imediatamente restabelecida e começa a carga das baterias a partir da entrada de rede AC.</p> <p>Mesmo que não seja permitida a carga de baterias a partir da rede (ver “19.7.6. Configurar a carga de baterias a partir da rede de distribuição”), durante a carga de emergência, o inversor carregará as baterias com pelo menos 400 W a partir da rede de distribuição.</p>

19.13. Realizar uma carga de equalização para as baterias

Para baterias de chumbo-ácido com eletrólito líquido, o fabricante recomenda a realização de uma carga de equalização após determinados períodos de tempo.

Durante a carga de equalização, o inversor iguala o estado de carga das células e compensa a estratificação do eletrólito. Desta forma, evita-se a falha prematura de células individuais e prolonga-se a vida útil da bateria. Este processo reduz a gaseificação, por isso, é necessária uma ventilação correta das baterias.

Antes de realizar manualmente uma carga de equalização, é necessário consultar os parâmetros de tensão de carga e duração da mesma junto do fabricante das baterias.

⚠ ATENÇÃO

Uma configuração errada desses parâmetros pode reduzir a vida da bateria. A Ingeteam não se responsabiliza pelas consequências derivadas de uma configuração incorreta do equipamento por parte do usuário e/ou instalador.

Para configurar os parâmetros no equipamento, acesse *Configuration > Advanced Settings > Lead-Acid Battery Settings*.

Parâmetro	Explicação
Equalization Voltage	Tensão de carga de equalização do banco de baterias, especificado pelo fabricante de baterias (V).
Duration of Equalization charge	Duração da carga de equalização do banco de baterias, especificado pelo fabricante de baterias (minutos).

A carga de equalização deve ser ativada manualmente através do visor. Para isso, acesse a *Configuration > Commands > Start Equalization Charge*.

O processo de carga de equalização terminará automaticamente uma vez transcorrido o tempo definido. Se desejar abortar o processo antes do tempo definido, deve pará-lo manualmente em *Configuration > Commands > Stop Equalization Charge*.

19.14. Realizar um teste de ventilação

Durante algum tempo, é necessário verificar o funcionamento correto dos ventiladores externos e interno do equipamento. Estes equipamentos oferecem a possibilidade de realizar um teste de ventilação.

Para realizar o teste de ventilação, acesse *Maintenance > Fan Test*. Os ventiladores do equipamento começam a rodar durante cerca de 15 segundos. Passado este tempo, o teste é desativado automaticamente. Se um ou vários ventiladores não rodarem, o teste mostra o seguinte resultado:

- Code1 0x0008 “falha no ventilador interno”.
- Code1 0x0010 “falha no ventilador externo”.

Se todos os ventiladores rodarem, o resultado do teste é positivo.

i INFO

O teste de ventilação verifica apenas a rotação dos ventiladores. Um teste de ventilação positivo, por si só, não indica que o estado do sistema de ventilação esteja correto. Para garantir o funcionamento correto do sistema de ventilação é necessário verificar ainda que não existem elementos que dificultem a passagem de ar e que os ventiladores estão instalados corretamente.

19.15. Calibrar as baterias de íon-lítio

⚠ ATENÇÃO

Uma configuração errada desses parâmetros pode reduzir a vida da bateria. A Ingeteam não se responsabiliza pelas consequências derivadas de uma configuração incorreta do equipamento por parte do usuário e/ou instalador.

A Ingeteam recomenda realizar periodicamente uma calibração das baterias de íon de lítio.

O objetivo é igualar o estado de carga de todas as células (SOC), evitando a falha prematura de células individuais, prolongando assim a vida útil da bateria.

Este processo é composto por duas partes:

1. Processo de carga completa da bateria. O estado da bateria indicará *Calibration - Charging*.
2. Processo de descarga da bateria. O estado da bateria indicará *Calibration - Discharging*.

Durante o processo de calibração, os parâmetros configurados na seção “[19.7.3. Configurar o modo de funcionamento e respectivos parâmetros](#)” não serão aplicados. Além disso, mesmo que não seja permitido carregar as baterias a partir da rede (ver “[19.7.6. Configurar a carga de baterias a partir da rede de distribuição](#)”), se a calibração o exigir, o inversor vai carregar as baterias com pelo menos 400 W a partir da rede de distribuição.

O processo de calibração é automaticamente encerrado quando o BMS determina que todas as células têm o mesmo estado de carga (SOC).

O processo de calibração está ativado por padrão. Se quiser desativar a calibração da bateria, acesse a *Configuration > Advanced Settings > Other Settings > Lithium-ion Battery Calibration Process*.

19.16. Uso do INGECON SUN 1Play em sistemas isolados

Para sistemas isolados, é possível combinar inversores de baterias INGECON SUN STORAGE 1Play TL M com inversores fotovoltaicos da Ingeteam, como o INGECON SUN 1Play TL M. Para isso, é necessário configurar no inversor fotovoltaico a regulamentação *INGECON_SUN_STORAGE*. Para obter mais informações, consulte o guia técnico para instalações do INGECON SUN STORAGE 1Play TL M.

19.17. Visualizar a curva fotovoltaica

i INFO

Para realizar a curva, é necessário que o inversor esteja conectado à rede pública.

Realize a curva com condições de radiação estáveis. Recomenda-se que você a realize duas ou três vezes seguidas para confirmar que a forma da curva coincide, confirmando assim que as condições são estáveis.

Estes inversores incluem a possibilidade de desenhar em um gráfico a curva PV de um determinado momento.

Para realizar a curva PV, acesse a *Maintenance > PV Curve*. Selecione a entrada MPPT e inicie.

A forma da curva será determinada por fatores externos como a radiação solar, sombreados nos painéis fotovoltaicos causados por elementos externos, temperatura, etc.

Todas as vezes que uma curva for desenhada, ela ficará armazenada em seu histórico de curvas.

19.18. Realize um Autotest para CEI 0-21

i INFO

Este menu só será apresentado se a regulamentação selecionada for *CEI 0-21 SPI INTERNO*.

O Autotest é um teste definido pela regulamentação *CEI 0-21* para verificação do SPI interno. Para realizá-lo, acesse a *Maintenance > Autotest*.

O teste vai aproximando os limites até a tensão ou frequência da instalação com uma rampa de 0,05 Vn/s o 0,05 Hz/s respectivamente, até fazer disparar o SPI.

Mede-se a precisão dos limites e tempos de desconexão para cada proteção, e indica-se (OK/NOK) se cumprirem com a precisão especificada pela *CEI 0-21* (Tensão: $\pm 1\%$ Vn, Frequência ± 20 mHz, Tempo: ± 20 ms) relativamente aos limites configurados.

Se o resultado for correto, o inversor sai do teste e volta a se conectar automaticamente à rede, voltando ao funcionamento normal.

Se, caso contrário, alguma das proteções apresentar um resultado errado, o inversor se desconecta da rede e apresenta o alarme *0x0800 Falha de Hardware*.

19.19. Detecção de falha de isolamento à terra e alarme

Este inversor cumpre a norma *IEC 62109-2* seção 13.9 para o monitoramento de alarmes de falha de conexão à terra.

Se for desencadeado um alarme de falha de conexão à terra, o indicador LED laranja se acende e é apresentado o seguinte código de falha no inversor:

Alarme 20 + Code1 0x0004 Falha de isolamento nos terminais positivo ou negativo das baterias ou campo fotovoltaico

20. Resolução de problemas

INFO

Consulte o guia “Alarm Interpretation and Troubleshooting Guide” no qual se encontram descritos os alarmes e a resolução de problemas que podem ocorrer na instalação e funcionamento dos INGECON SUN STORAGE 1Play. Para baixar o guia, acesse a página Web de INGECON SUN Training (www.ingeconsuntraining.info).

21. Desligamento do equipamento

Ao longo desta seção, é descrito o procedimento para desligar o equipamento.

ATENÇÃO

No caso de se querer operar no interior do equipamento, é obrigatório seguir estas instruções pela mesma ordem em que aparecem aqui para retirar a tensão.

21.1. Processo de desligamento do equipamento

1. Parar o inversor manualmente utilizando o botão On/Off no painel de controle ou a partir do aplicativo Web.
2. Eliminar tanto a tensão contínua (Vdc) como a tensão alternada (Vac) que chega ao equipamento.
3. Aguarde 10 minutos até que as capacidades internas se descarreguem, os elementos internos suscetíveis de produzirem queimaduras esfriem e o movimento residual das palhetas dos ventiladores pare.
4. Verifique a ausência de tensão.
5. Sinalize a área de corte (Vac e Vdc) com um painel de “*Atenção proibido manobrar...*”. No caso de ser necessário delimitar a área de trabalho.

21.2. Desconexão da fiação em terminais de tipo push-in

INFO


A conexão de cargas críticas, da rede de consumo e da rede/gerador auxiliar se realiza através de terminais de tipo push-in.

Na seção “[7. Conexão/desconexão da fiação em terminais de tipo push-in](#)”, encontra-se detalhado o processo para desconectar a fiação neste tipo de terminais.

22. Manutenção preventiva

Os trabalhos recomendados de manutenção preventiva devem ser realizados com uma periodicidade mínima anual, salvo nos casos em que se indique o contrário.

22.1. Condições de segurança

 PERIGO
Antes de abrir o equipamento, é necessário retirar a tensão (consulte a seção “21. Desligamento do equipamento”).
As condições detalhadas a seguir devem ser consideradas obrigatórias.
A abertura do invólucro não implica em nenhum caso a ausência de tensão no equipamento, por isso, o acesso a ele só pode ser realizado por pessoal qualificado e seguindo as condições de segurança determinadas no presente documento.
A Ingeteam não se responsabiliza pelos danos que possam decorrer do uso inadequado dos equipamentos. Qualquer intervenção realizada em um desses equipamentos que pressuponha uma alteração nas disposições elétricas relativamente às disposições originais deve ser comunicada previamente à Ingeteam. Essas intervenções devem ser estudadas e autorizadas pela Ingeteam.
Todas as verificações de manutenção aqui descritas devem ser feitas com o conjunto da máquina parado, em condições seguras de manipulação, incluindo as condições especificadas pelo cliente para este tipo de operações.
Para realizar os trabalhos de manutenção no equipamento, os Equipamentos de Proteção Individual especificados na seção “Equipamento de proteção individual (EPI)” do presente documento deverão ser utilizados.
Uma vez concluída a tarefa de manutenção, coloque novamente a tampa frontal e a fixe com os respectivos parafusos.

22.2. Estado do invólucro

É necessário realizar uma verificação visual do estado do invólucro, verificando o estado dos fechamentos e a tampa, bem como o encaixe dos equipamentos às respectivas conexões, na parede e ao transformador (se existir). Da mesma forma, é necessário verificar se o invólucro está em bom estado e se não contém golpes ou riscos que possam degradá-lo ou fazê-lo perder seu índice de proteção. Se algum desses defeitos for detectado, deve-se reparar ou substituir as partes afetadas.

Verifique a ausência de umidade no interior do invólucro. Em caso de umidade, é imprescindível secá-lo antes de realizar as conexões elétricas.

Verifique se os componentes do invólucro estão conectados corretamente aos respectivos encaixes.

22.3. Estado dos cabos e dos terminais

- Verifique se o encaminhamento dos cabos está correto, de modo que não estejam em contato com as partes ativas.
- Verifique se existem deficiências nos isolamentos e nos pontos quentes, verificando a cor do isolamento e dos terminais.
- Verifique se as conexões estão bem ajustadas.

22.4. Sistema de refrigeração

- Verifique o estado dos ventiladores de extração de ar e proceda à respectiva limpeza e substituição, se necessário.
- Limpe as aletas do radiador e as grades de refrigeração.

22.5. Ambiente

Verifique as propriedades do ambiente, de modo a que o ruído não se transmita ou amplifique.

23. Tratamento de resíduos

Estes equipamentos utilizam componentes nocivos para o meio ambiente (placas eletrônicas, baterias ou pilhas, etc.).



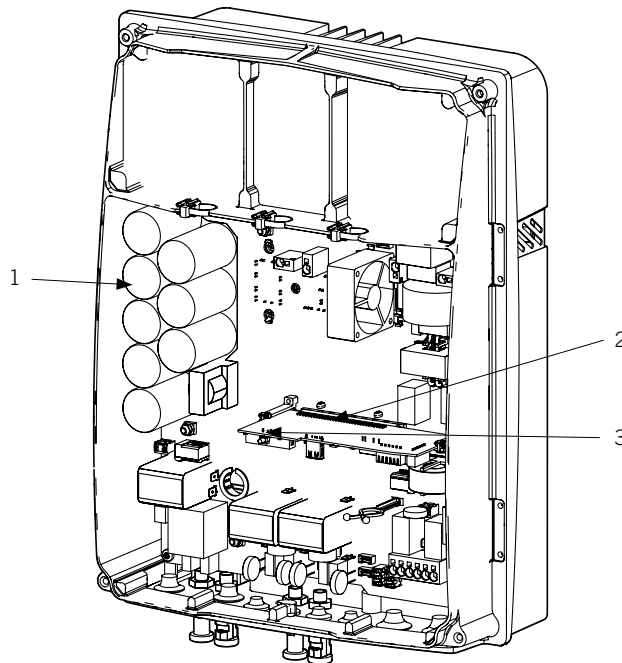
Uma vez terminada a vida útil do equipamento, os resíduos devem ficar a cargo de um agente autorizado de resíduos perigosos, para o seu processamento correto.

Seguindo uma política de proteção do meio ambiente, a Ingeteam através desta seção, informa os agentes autorizados relativamente aos tipos de componentes a serem eliminados.

Os elementos que estão presentes no equipamento e que devem ser tratados especificamente são os seguintes:

1. Condensadores eletrolíticos ou que contenham PCB.
2. Placas de circuitos impressos.
3. Pilhas.

Sua localização está indicada nas figuras seguintes.



Ingeteam

Ingeteam